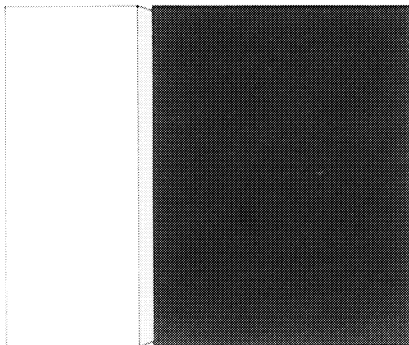


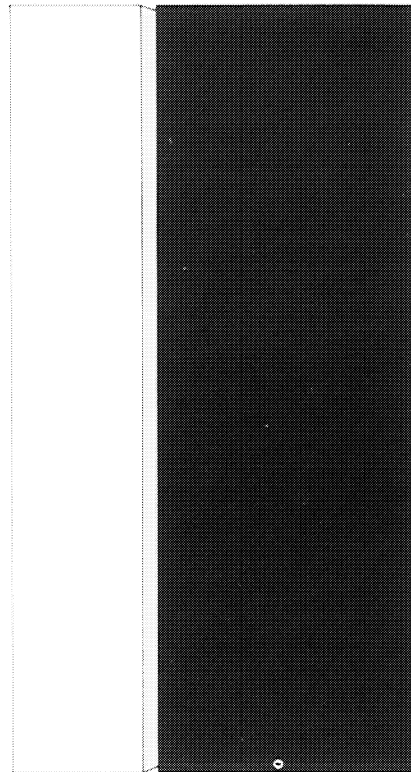
*The Beovox 3000/5000 is the newest member of the Bang & Olufsen loudspeaker family. It is the fruit of our extensive research into acoustics and aesthetics, and it represents a sophisticated combination of superb sound and unique design.*

*We are pleased that you have decided to bring the Bang & Olufsen panel speaker into your family, and we feel confident that it will enhance the beauty of your home while giving you extraordinary musical experiences.*

*Beovox 3000*



*Beovox 5000*



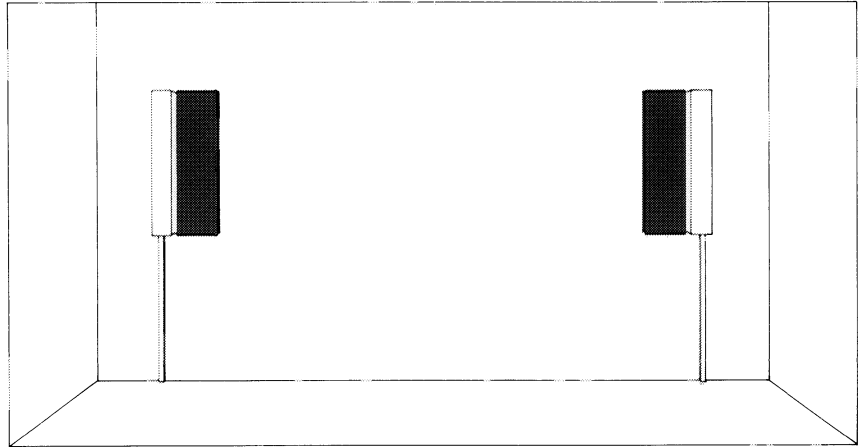
# Table of contents

- 2 Placement
- 2 Mounting your loudspeaker
- 4 Connecting your loudspeaker
- 4 Maintenance
- 5 Optional accessories
- 6 Developing a Bang & Olufsen loudspeaker
- 7 Technical specifications
- 8 International guarantee

© Bang & Olufsen 1988

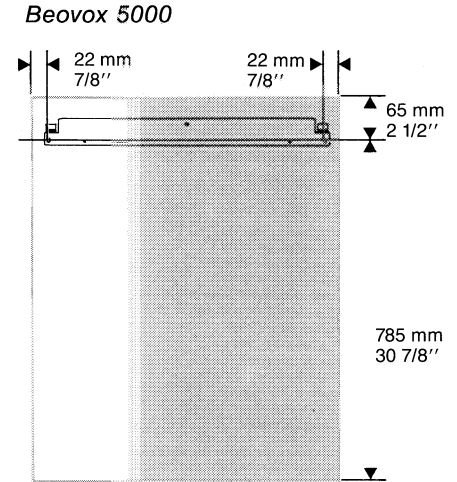
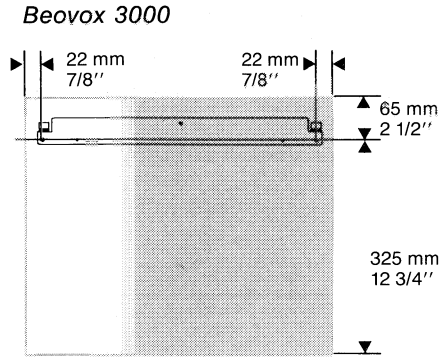
## Placement

The Beovox 3000/5000 is designed to be hung on a wall. The wall is not used merely as a supporting structure – it is in fact essential to the sound of the speaker as it helps boost the bass response and ensures optimum speaker performance. Either speaker of the set supplied can be used as right or left speaker.

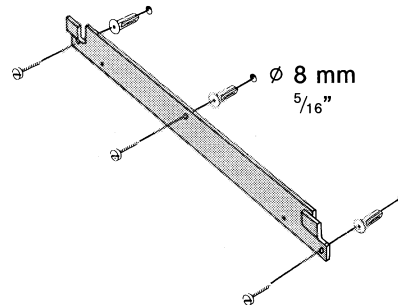


# Mounting your loudspeaker

The panel speaker is supplied with a wall bracket on which to mount the speaker. When deciding where to drill the holes for the wall brackets, make sure that there is enough space for the speaker and for adjustment. Do not forget to allow for the Bang & Olufsen cable covers, if any (see page 5).



Using the screws and the wall anchors, fasten the bracket onto the wall.



The wall anchors are of a special type. They can be used in both solid walls and light partition walls.

## *Important installation note for the USA!*

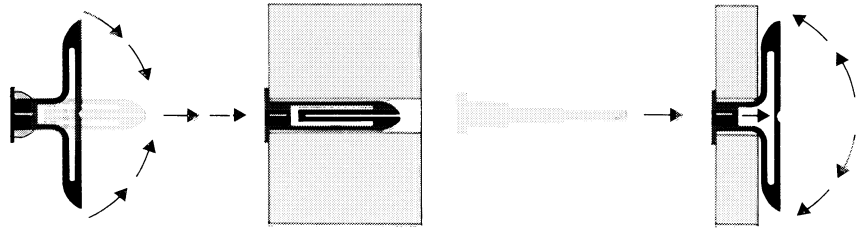
Interior walls are often constructed of gypsum panels – known as drywall or wallboard – secured to vertical wooden studs.

Wallboard is not satisfactory material to support the weight of the Beovox 3000/5000.

If you must mount the Beovox 3000/5000 on a wall of the previously mentioned nature, we recommend that at least one of the two mounting screws be a lag screw and that the lag screw be securely screwed into one of the wooden vertical wall studs.

Squeeze the two flaps to insert the wall anchor into the hole.

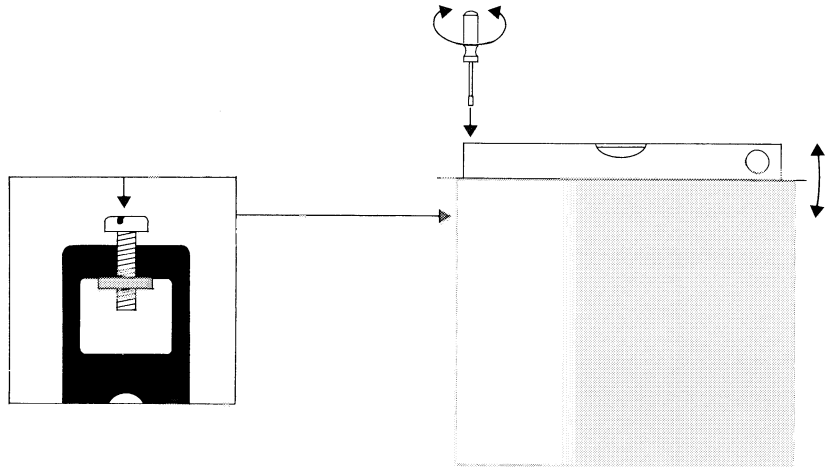
If the wall anchor is used in a plaster board wall, the two flaps must be completely unfolded before the screw is inserted. Use the tool supplied to do so.



*(We recommend that you carry out the connections described in the next section before mounting the Beovox 3000/5000 on the wall bracket.)*

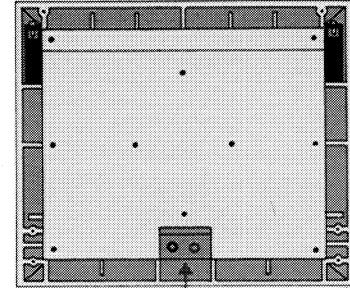
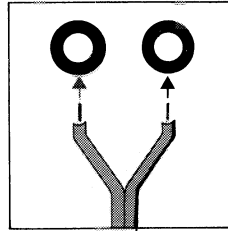
Mount the loudspeaker on the wall bracket, making sure that it is seated securely on the hooks.

Adjust the adjustment screw up or down to ensure that the speaker is vertical and level.



## Connecting your loudspeaker

The stripped wire ends of the speaker cable supplied must be connected to the two terminals on the rear of the Beovox 3000/5000: Connect the wire end with the coded line to the red terminal (positive) and the other wire end to the black terminal (negative). Then connect the 2-pin DIN plug at the other end of the cable to the appropriate loudspeaker socket on your receiver or your TV-set.



## Optional accessories

The accessories listed below are all available as optional extras from your Bang & Olufsen dealer.

### *Coiled cords*

	<i>Part No</i>
BLC 150, blue line cord	8960318
GLC 150, grey line cord	8960329
WLC 150, white line cord	8960335

### *Cable covers*

#### Metal finish:

The Bang & Olufsen metal finish cable covers are designed to match and enhance the beauty of the Beo-vox 3000/5000 while concealing the speaker cables. They come in the following versions:

Cable Cover 5000, length 0.85 m (33½")	8960280
Cable Cover 3000, length 1.30 m (51")	8960290

## Developing a Bang & Olufsen loudspeaker

For more than fifty years, we at Bang & Olufsen have been working at developing loudspeakers that combine a true-to-life sound reproduction and an innovative and unique design. In the process of research and development we draw on the skills of our in-house experts in acoustics, electronics and mechanical engineering. Their combined effort is aimed at developing prototypes which offer the best reproduction possible of tone balance and spatial impression.

Once produced, the prototype is subjected to a number of extensive tests. These tests enable us to see whether the loudspeaker's performance matches the conceptual idea, and if not, which modifications are required before the speaker is ready for production.

In pursuit of perfection, we use our highly sophisticated research facility: In a purpose-built cube-shaped test chamber (12 x 12 x 13 meter / 39' x 39' x 42') we analyze our speakers' performance under simulated free-field conditions. The test equipment and computers we

use are capable of registering even the most microscopic deviations from the ideal we have chosen, and we can measure every detail of the large number of factors affecting the sound quality of the speaker.

The purpose of a loudspeaker cabinet is to isolate the rear side acoustical emission of the speaker units from the front side emission. A loudspeaker cabinet is also designed to act as a supporting structure for the speaker units without contributing any sound itself. As it is important to minimize mechanical vibrations in the cabinet, we use a highly sophisticated technique called laser holography: By studying the three-dimensional picture produced during the holographic test, we can actually see where in the cabinet undesirable vibrations are produced, and we can then take the steps needed to dampen them.

The above-mentioned testing techniques can all be classified as "objective tests", because the performance of the loudspeaker is evaluated on the basis of data pro-

vided by advanced technological equipment. However, as we develop loudspeakers for the pleasure of the human ear – and not merely for the impersonal acceptance of a machine – we also carry out a number of "subjective" listening tests: In our reference room for listening tests we gather an audience of people from our well-trained listening panel whose ears are tuned to the fine nuances and details of sound. Their expert opinion and highly personal comments are of the utmost value to us in our research and development work, and their acceptance is needed before the speaker can be given the final seal of approval.

Your new speaker is proof that Bang & Olufsen has come close to perfection in both sound reproduction and design.



## Technical specifications

	<i>Beovox 3000</i>	<i>Beovox 5000</i>
<i>Input electric power, IEC:</i>		
Long-term maximum input power	90 watts	120 watts
Maximum noise power	45 watts	60 watts
Impedance	8 ohms	8 ohms
Frequency range +4 -8 dB	75-20,000 Hz	60-20,000 Hz
Power at 94 dB SPL	5 watts	3.2 watts
Sensitivity 1 W	87 dB	89 dB
Distortion 0.250 - 1 kHz	< 1%	< 0.2%
1 - 2 kHz	< 0.7%	< 0.2%
2 - 6 kHz	< 0.2%	< 0.2%
Cabinet principle	Bass Reflex	Bass Reflex
Woofers	13 cm – 5"	2 units, 13 cm – 5"
Tweeter	2.5 cm – 1"	2.5 cm – 1"
Crossover frequency	3500 Hz	3500 Hz
Net. volume	5.4 litres	14 litres
Dimensions W x H x D	45 x 38 x 8 cm (17 <sup>3</sup> / <sub>4</sub> " x 15" x 3 <sup>1</sup> / <sub>8</sub> " )	45 x 85 x 8 cm (17 <sup>3</sup> / <sub>4</sub> " x 33 <sup>1</sup> / <sub>2</sub> " x 3 <sup>1</sup> / <sub>8</sub> " )
Weight	5 kg (11 lb.)	11 kg (24 lb.)

*Subject to change without notice*

## International guarantee

This Bang & Olufsen product carries a guarantee against defects in workmanship and materials. It is a national guarantee, extended by Bang & Olufsen to the country in which the product was bought. The terms of the guarantee apply principally to the country of purchase but will be met by authorized Bang & Olufsen dealers in other countries. The guarantee period applying to the country of purchase takes priority over guarantee periods applying in other countries, even where differences exist.

In order to obtain service under this guarantee, a certificate stating the following information is required:

- Name of product and type number
- Serial number
- Date of purchase
- Guarantee period
- Dealer's or supplier's signature

Bang & Olufsen  
DK-7600 Struer  
DENMARK