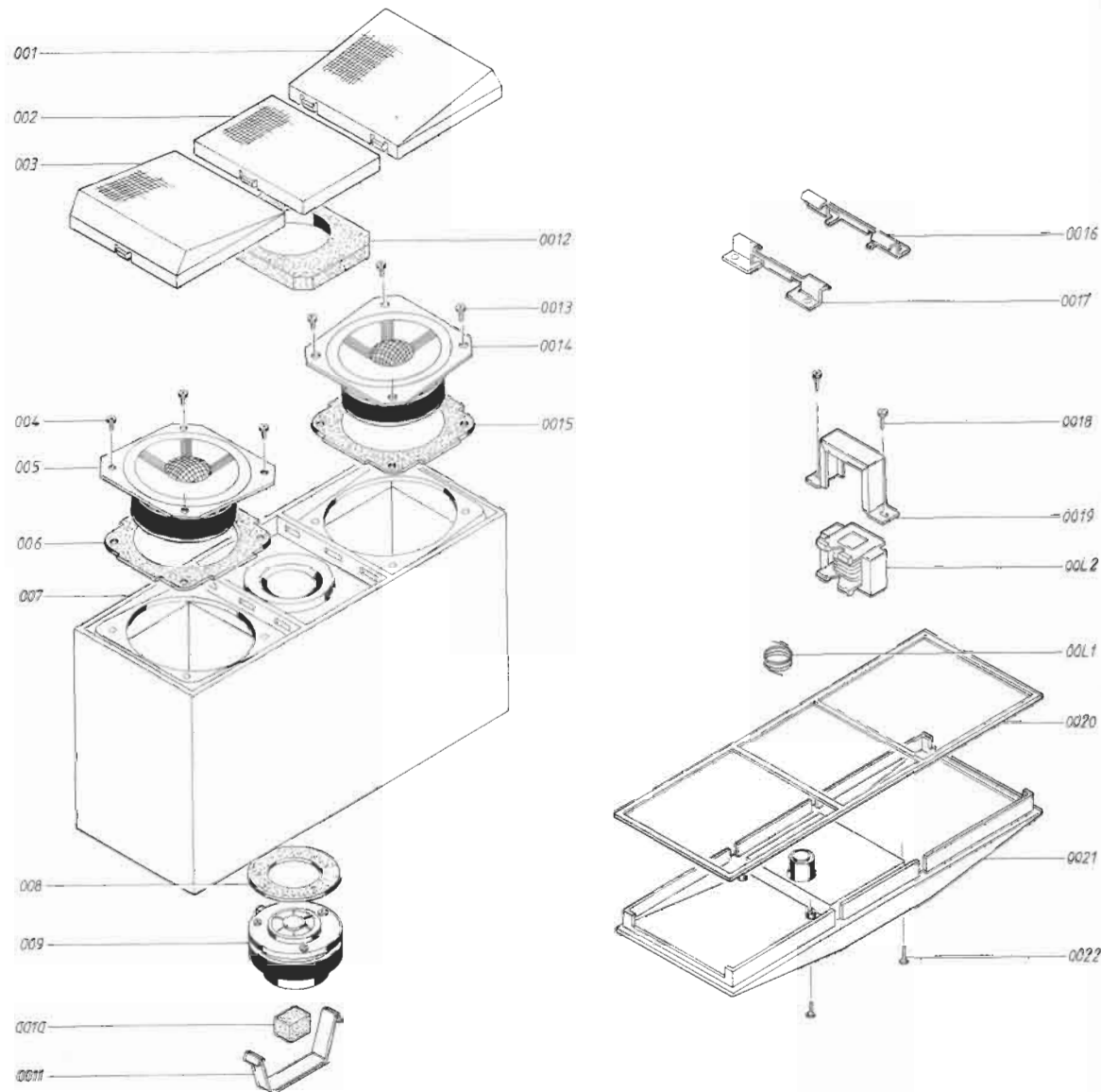


BEOVOX CX100, TYPE 6343



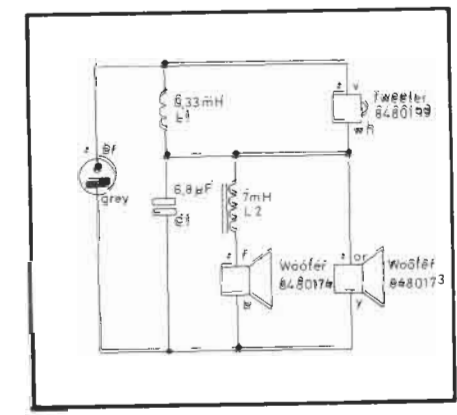
Mekanisk stykliste
List of Mechanical Parts

001	3450402	Forplade	Front panel
002	3450403	Forplade	Front panel
003	3450402	Forplade	Front panel
004	2039027	Skrue AM3x6	Screw AM3x6
005	8480173	Højttaler	Loudspeaker
006	3340053	Pakningssæt	Set of gaskets
007	3430327	Kabinet, aluminium	Cabinet, aluminium
	3430329	Kabinet, sort	Cabinet, black
008	3340053	Pakningssæt	Set of gaskets
009	8480159	Højttaler	Loudspeaker
0010	2645044	Gummiklods	Rubber block
0011	2510025	Bojle	Clamp
0012	3340052	Pakning	Gasket
0013	2039027	Skrue AM3x6	Screw AM3x6
0014	8480174	Højttaler	Loudspeaker
0015	3340053	Pakningssæt	Set of gaskets
0016	2548156	Vinkel	Bracket
0017	2548156	Vinkel	Bracket
0018	2015065	Skrue M3,5x13	Screw M3.5x13
0019	2510147	Vinkel	Bracket
0020	3340053	Pakningssæt	Set of gaskets
0021	3452497	Bagplade	Back panel
0022	2013093	Skrue M2,9x19	Screw M2.9x19

Elektrisk stykliste
List of Electrical Parts

3390255	Pose m. vægbeslag	Bag with wall bracket
3546000	Mønteringsvejledning	Mounting instruction
3391531	Yderæske	Outer carton
3391532	Indlæg	Insert
3397434	Skumemballage	Foam packing
3912038	Filtoblat (8 stk)	Felt washer (8 pieces)
6270178	Højttalerledning 4 m	Loudspeaker lead 4 m

C1	4200336	6,8 µF
L1	6850144	0,33 mH
L2	6850014	7 mH

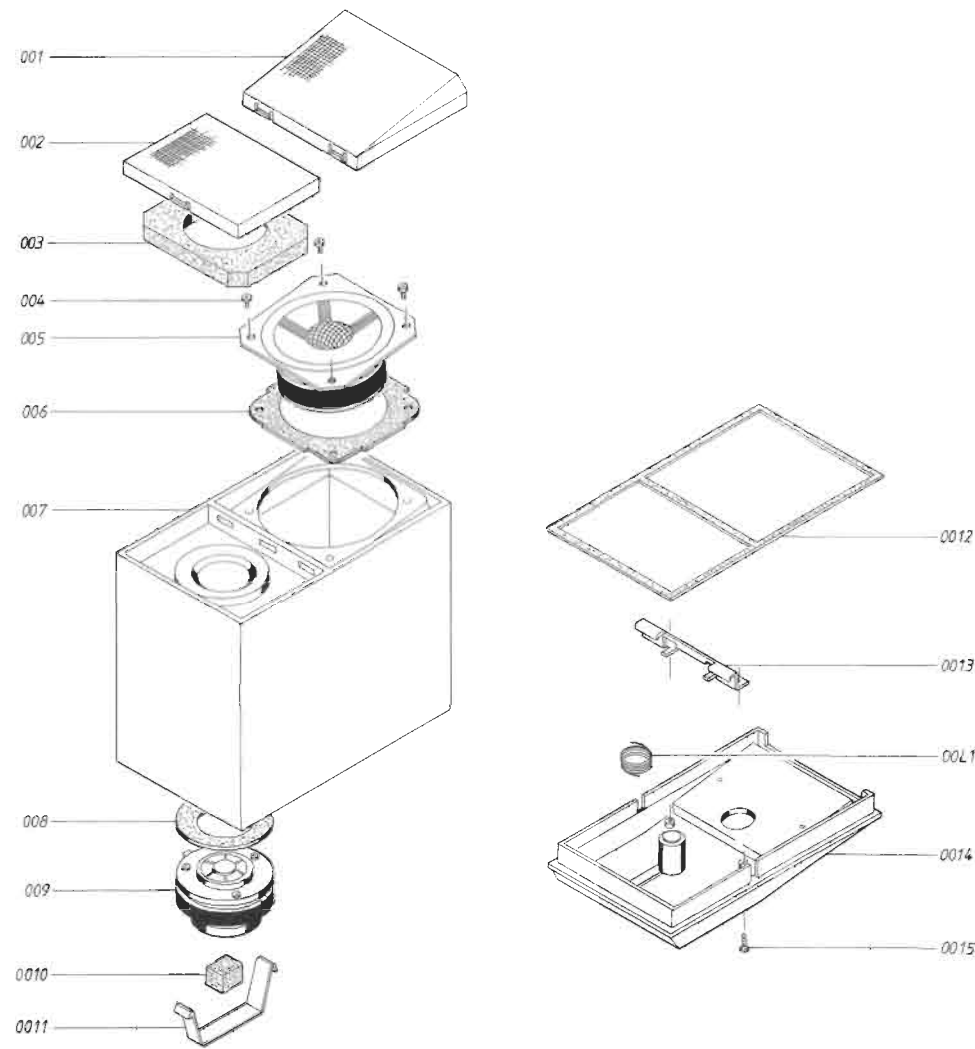


Technical specifications

RMS power handling capacity	100 watts
Music power handling capacity	110 watts
Impedance	6 ohms
Frequency response +4 -8 dB	50-20,000 Hz
Frequency response ±4 dB	75-20,000 Hz
Power at 96 dB SPL	5 watts
Sensitivity 1 W	89 dB
Cabinet type	Pressure chamber
Distortion 250-1000 Hz	<3%
Distortion >1000 Hz	<1%
Dispersion	90°
Woofer	2 units 4" - 10 cm
Tweeter	1" - 2.5 cm
Crossover frequency	140 Hz/2500 Hz
Net volume	4 litres
Gross volume	6.8 litres
Dimensions WxHxD	12x32x20.5 cm
Weight	5 kg
Accessories	Wall mounting included

Subject to change without notice

BEOVOX CX50, TYPE 6344



Mekanisk stykliste
List of Mechanical Parts

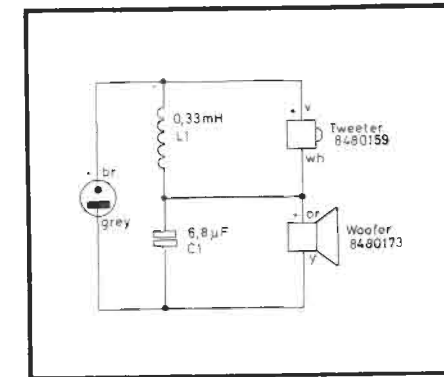
001	3450402	Forplade	Front panel
002	3450403	Forplade	Front panel
003	3340052	Pakning	Gasket
004	2039027	Skrue AM3x6	Screw AM3x6
005	8480173	Højttaler	Loudspeaker
006	3340054	Pakningssæt	Set of gaskets
007	3430326	Kabinet, aluminium	Cabinet, aluminium
	3430328	Kabinet, sort	Cabinet, black
008	3340054	Pakningssæt	Set of gaskets
009	8480159	Højttaler	Loudspeaker
0010	2645044	Gummiklods	Rubber block
0011	2510025	Bøjle	Clamp
0012	3340054	Pakningssæt	Set of gaskets
0013	2548156	Vinkel	Bracket
0014	3452496	Bagplade	Back panel
0015	2013093	Skrue M2,9x19	Screw M2.9x19

Ikke viste dele
Parts Not Shown

3390256	Pose m. vægbeslag	Bag with wall bracket
3546000	Monteringsvejledning	Mounting instruction
3391533	Yderæske	Outer carton
3391534	Indlæg	Insert
3397434	Skumemballage	Foam packing
3912038	Filtoblat (8 stk)	Felt washer (8 pieces)
6270178	Højttalerledning 4 m	Loudspeaker lead 4 m

Elektrisk stykliste
List of Electrical Parts

C1	4200336	6.8 µF
L1	6850144	0.33 mH

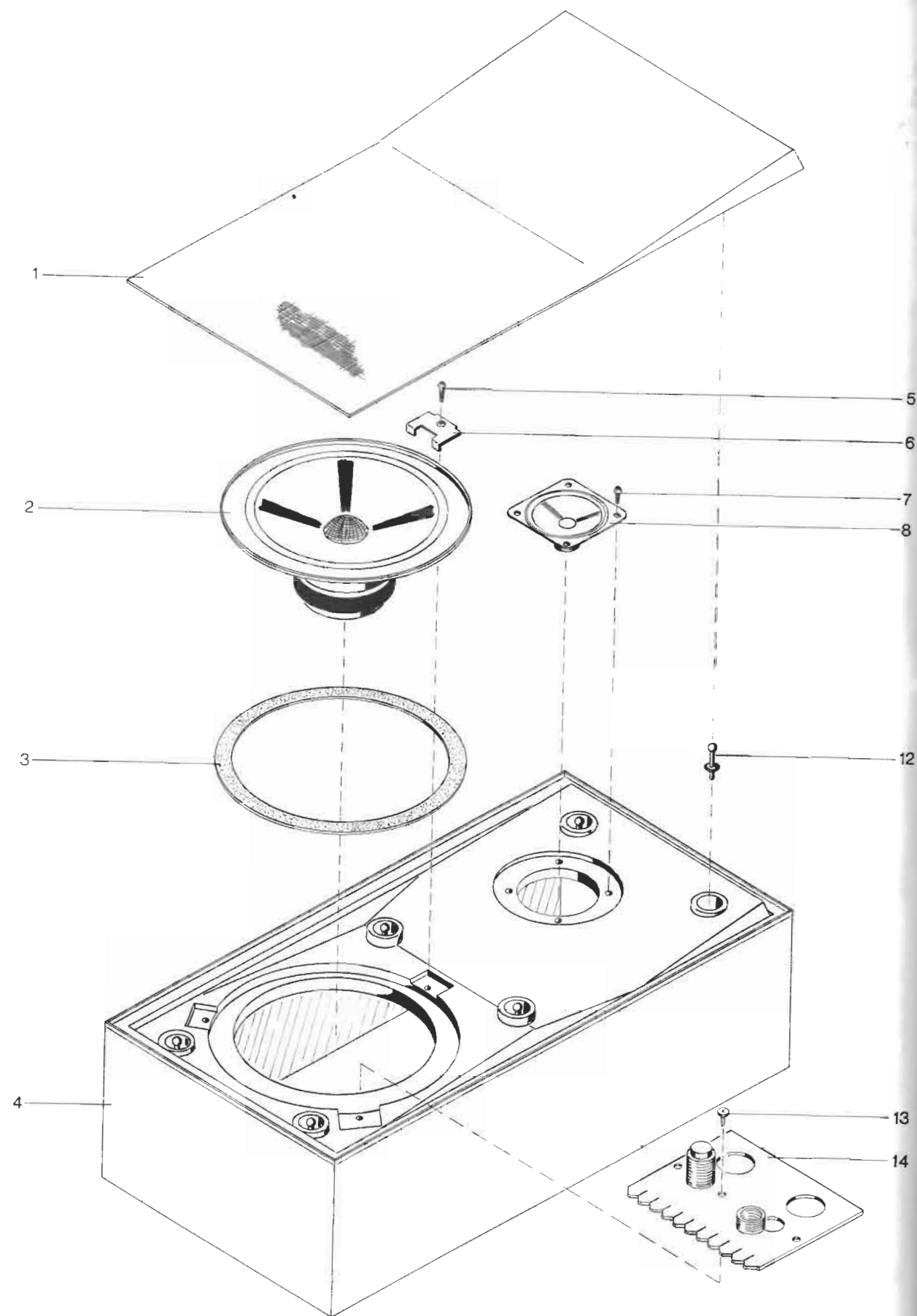


Technical specifications

RMS power handling capacity	50 watts
Music power handling capacity	60 watts
Impedance	6 ohms
Frequency response +4 -8 dB	80-20,000 Hz
Frequency response ±4 dB	120-20,000 Hz
Power at 96 dB SPL	5 watts
Sensitivity 1 W	89 dB
Cabinet type	Pressure chamber
Distortion 250-1000 Hz	< 3%
Distortion > 1000 Hz	< 1%
Dispersion	90°
Woofer	4" - 10 cm
Tweeter	1" - 2.5 cm
Crossover frequency	2500 Hz
Net volume	2 litres
Gross volume	4.4 litres
Dimensions WxHxD	12x20.5x20.5 cm
Weight	3.5 kg
Accessories	Wall mounting included

Subject to change without notice

BEOVOX X25, TYPE 6335
BEOVOX S2200, TYPE 6338



Mekanisk stykliste
List of Mechanical Parts

1	3450345	Forplade	Front panel
2	8480171	Højttaler	Loudspeaker
3	3340015	Pakning	Gasket
4	3414207	Kabinet	Cabinet
5	2015108	Skruer 3,5x16	Screw 3.5x16
6	0285091	Spændestykke	Clamp
7	2015108	Skruer 3,5x16	Screw 3.5x16
8	8480054	Højttaler	Loudspeaker
12	2391045	Låsestykke	Locking pin
13	2015201	Skruer 3,5x9,5	Screw 3.5x9.5
14	8006000	Delefilter	Crossover network

Ikke viste dele
Parts Not Shown

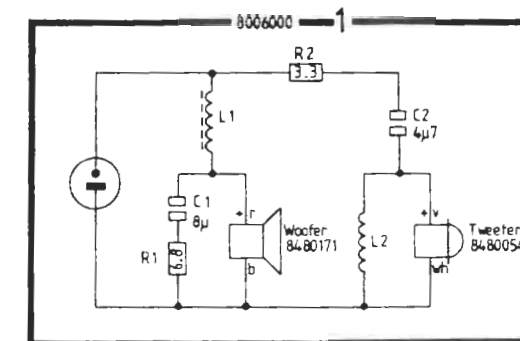
3391454	Yderkasse	Outer carton
3397435	Skumemballage, sæt	Foam packing, set
6270167	Højttalerledning 4 m	Loudspeaker lead 4 m

Elektrisk stykliste
List of Electrical Parts

R1	5020591	6.8 Ω 5% 2W
R2	5100315	3.3 Ω 10% 5W

C1	4200077	8 μF 20% 23V
C2	4200387	4.7 μF 20% 23V

L1	6850130	Coil 1mH
L2	6850128	Coil 0.47mH



Technical specifications

RMS power handling capacity	25 watts
Music power handling capacity	35 watts
Impedance	8 ohms
Frequency response +4 -8 dB	55-20,000 Hz
Frequency response ± 4 dB	90-20,000 Hz
Power at 96 dB SPL	6.3 watts
Sensitivity 1 W	88 dB
Cabinet type	Pressure chamber
Distortion 250-1000 Hz	< 1.5%
Distortion 1000-2000 Hz	< 1%
Distortion 2000 Hz	< 0.9%
Dispersion	90°
Woofer	6 1/2" - 16 cm
Tweeter	2 1/2" - 6.6 cm
Crossover frequency	2000 Hz
Net volume	8.4 litres
Cross volume	12.4 litres
Dimensions WxHxD	22x41x15 cm
Weight	4 kg

Subject to change without notice

BEOVOX X35, TYPE 6336

Identisk med Beovox S30, type 6317, med undtagelse af nedennævnte dele.
Se tegning og øvrige dele side 38 og 39.

Identical with Beovox S30, type 6317, except for the belowmentioned parts.
See drawing and other parts pages 38 and 39.

Mekanisk stykliste**List of Mechanical parts**

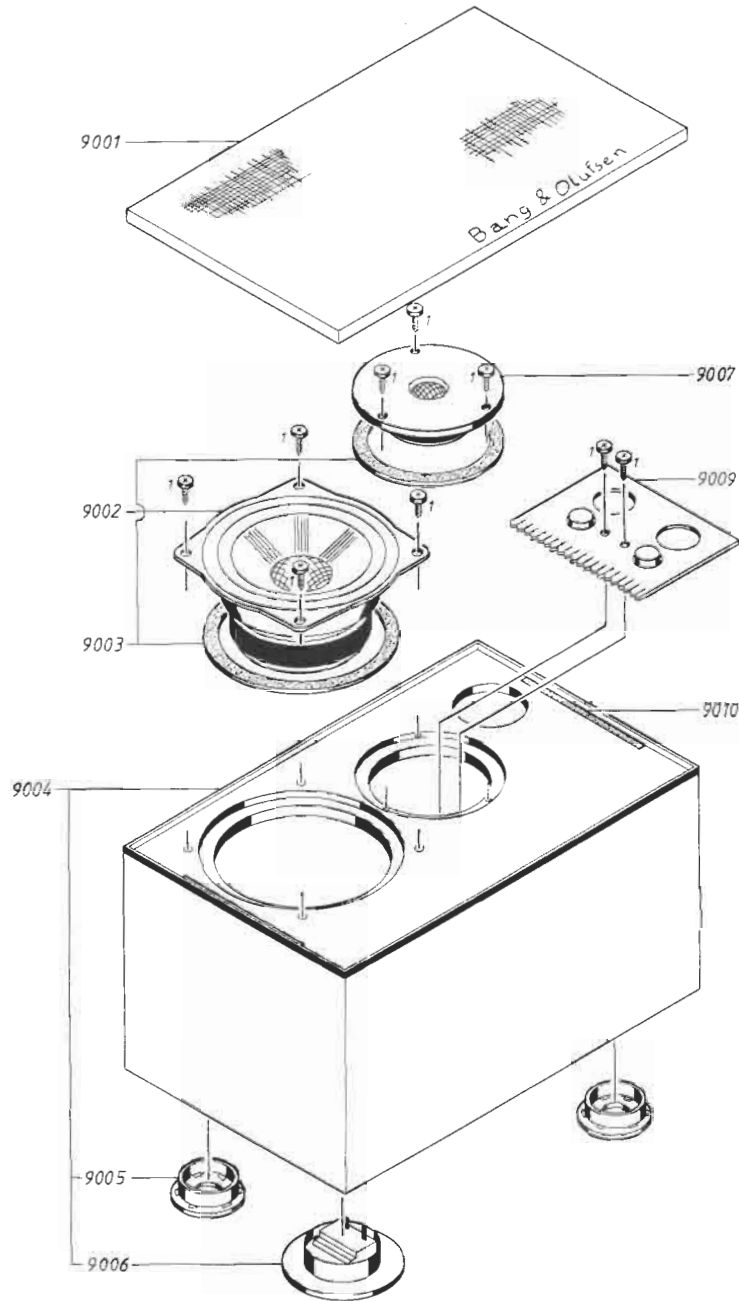
2	2015108	Skrue M3,5x16	Screw M3,5x16
7	2015201	Skrue M3,5x9,5	Screw M3,5x9,5
9	3414237	Kabinet	Cabinet
10	2015108	Skrue M3,5x16	Screw M3,5x16
	3397436	Skumemballage, sæt	Foam packing, set

Technical specifications

RMS power handling capacity	30 watts
Music power handling capacity	50 watts
Impedance	8 ohms
Frequency response +4 -8 dB	65-20,000 Hz
Frequency response ± 4 dB	75-18,000 Hz
Power at 96 dB SPL	2.5 watts
Sensitivity 1 W	92 dB
Cabinet type	Pressure chamber
Distortion 250-1000 Hz	<2.5%
Distortion > 1000 Hz	<1%
Dispersion	100°
Woofer	8" - 20 cm
Tweeter	1" - 2.5 cm
Crossover frequency	3000 Hz
Net volume	12 litres
Cross volume	22 litres
Dimensions WxHxD	26x48x18 cm
Weight	5 kg

Subject to change without notice

BEOVOX MCX35, TYPE 6351
BEOVOX MC35, TYPE 6350



Mekanisk stykliste
List of Mechanical Parts

9001	3450690	Forplade	Front panel
9002	8480198	Bas højttaler	Woofer
9003	3340069	Pakningssæt	Set of gaskets
9004	3414015	Kabinet metal grå, MCX35	Cabinet metal grey, MCX35
	3414012	Kabinet super hvid, MCX35	Cabinet super white, MCX35
	3414007	Kabinet teak, MC35	Cabinet teak, MC35
	3414008	Kabinet palisander, MC35	Cabinet rosewood, MC35
	3414009	Kabinet eg, MC35	Cabinet oak, MC35
9005	3031035	Beslag	Fitting
9006	7210602	Dobbelt stikterminal	Double connection terminal
9007	8480199	Diskant højttaler	Tweeter
9009	8039074	Delefilter	Crossover network
9010*	3947132	Dobbelttsidet tape	Double coated tape

Skrueoversigt
Survey of screws

1	2084042	Skrue 3,5x13	Screw 3.5x13
---	---------	--------------	--------------

**Leveres i metermål*

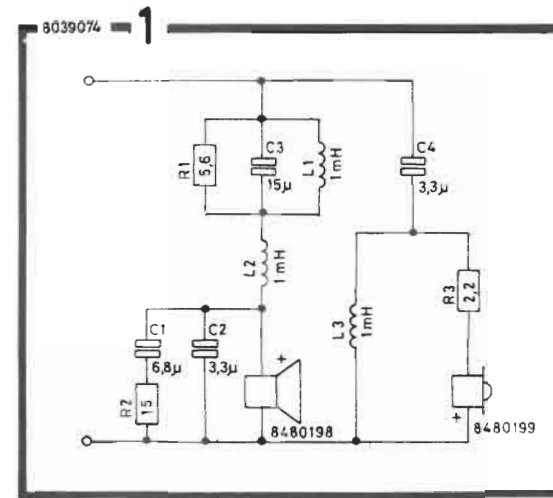
**Supplied by the metre*

Ikke viste dele
Parts not shown

3391835 Yderæske
3390289 Skumpose
3397614 Skumemballage sæt
3989011 Rock-wool klods
6270167 Ledning 4 m

Outer carton
Foam bag
Foam packing set
Rock-wool block
Cable 4 m

Diagram



Elektrisk stykliste
List of Electrical Parts

R1	5100297	5.6 Ω	10%	3W	R3	5104011	2.2 Ω	10%	3W
R2	5100200	15 Ω	10%	3W					
C1	4200336	6.8 μF	20%	23V	C3	4200273	15 μF	20%	23V
C2	4200125	3.3 μF	20%	23V	C4	4200125	3.3 μF	20%	23V

For udskiftning af spoler L1 - L3 bestilles komplet delefilter.

When replacing coils L1 - L3, order complete crossover network.

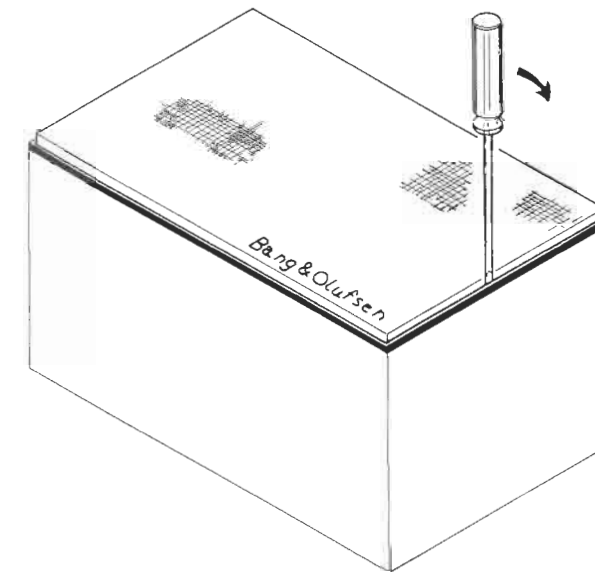
Technical specifications

RMS power handling capacity	35 watts
Music power handling capacity	50 watts
Impedance	8 ohms
Frequency range +4 -8 dB	48-20,000 Hz
Power at 96 dB SPL	2.5 watts
Sensitivity 1 W	92 dB
Acoustic principle	Bass Reflex
Woofer	5" - 13 cm
Tweeter	3/4" - 1.8 cm
Crossover frequency	3500 Hz
Net. volume	10 litres
Dimensions WxHxD	20 x 32.5 x 19.5 cm
Weight	3.6 kg

Subject to change without notice

Adskillelse

Dismantling



For servicering aftages forplade.

Remove front plate for servicing.

Forpladen er fastgjort med en speciel dobbeltklæbende tape, som bevarer klæbeeviden og derfor kan bruges igen.

The front plate is fixed with a special double adhesive tape which retains its adhesiveness and can therefore be reused.