

### Contents

- 3 *Central and local systems*
- 4 *Installation tips*
- 5 *Mounting the relay box*
- 6 *Mounting the cables*
- 7 *Mains adaptor*
- 8 *Connecting a Beovision MX 3500 or another TV of the same family*
- 9 *Local audio sources*
- 10 *Connecting different types of TV*

The central system is your audio and video systems, i.e. a Beomaster or Beocenter and a Beovision TV, complete with their various sources.

The local system comprises a TV of the type Beovision MX 3500 or another TV of the same family as well as the parts which make up the “X-tra TV” kit, i.e. an MCL 2 AV relay box and a mains adaptor.

*The TV in the local system may be of a different type, e.g. a Beovision LX 2502 or another TV of the same family, or a Beovision MX 3000 or another TV of the same family. If this is the case, please pay special attention to the information on page 8.*

The TV in the local system is connected to the central audio system by means of a special MCL cable. Furthermore, an aerial connection has to be established from the central video system to the TV in the local system.

The loudspeakers of the TV are used for reproducing the sound from the sources in the central audio system. Furthermore, programmes from the sources in the central video system, e.g. satellite TV or video tapes, can be reproduced by the TV in the local system.

**Note:** *Switch off the power for the whole system while you mount cables.*

*The user's guide which is also supplied with this kit describes how you can use your local system once it has been installed.*

## Installation tips

- When you have completed your installation it is a good idea to draw up a sketch of the entire MCL system. You might need it if you wish to extend or modify the system later.
- If you are installing several relay boxes in your house it may be a good idea to first run an MCL cable from the audio system to a connection box and then run the other MCL cables in strings from the connection box to each relay box.

## Mounting the relay box

The MCL 2 AV relay box should be placed in an unobtrusive spot, for example by a skirting board.

Accessories:

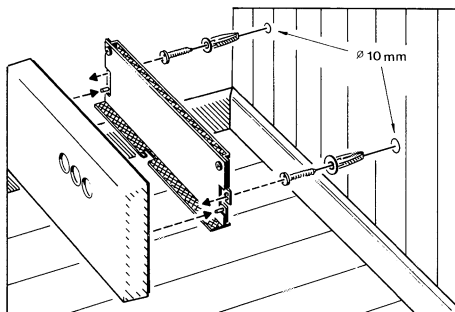
- 2 screws, 3,5 x 25 mm
- 2 screws, 3 x 8 mm
- 2 Rawlplugs

*Note: The small screws (3 x 8 mm) should be used only in connection with a flat MCL cable.*

If the relay box is placed close to a skirting board, be sure to allow space for cables and plugs to point downwards. You should also take into account that the TV has to be plugged into the TV socket on the front of the relay box.

Mount the relay box by means of the two screws. Use the Rawlplugs if necessary.

Do not fix the cover to the rear plate until you have finished mounting the cables.



*Note: Building and electrical codes vary from locality to locality. Make sure that the installation is in compliance with applicable codes. Bang & Olufsen shall not be legally responsible for injury or damage caused by improper installation.*

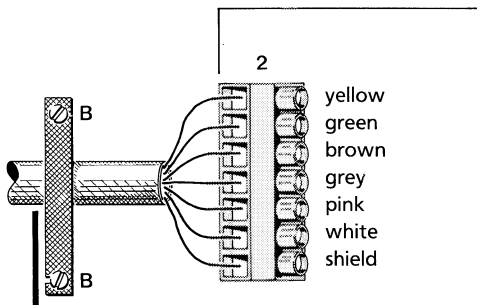
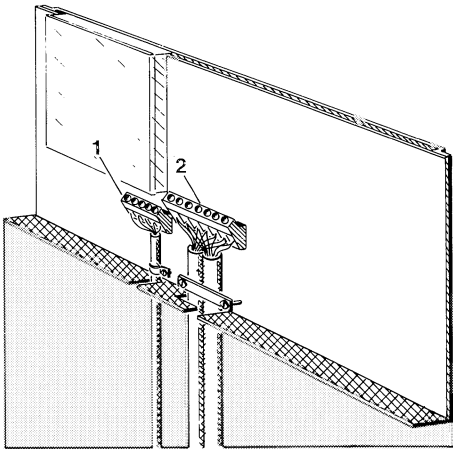
## Mounting the cables

*Cables must be handled with care. Avoid sharp bends, don't twist the cables, and don't subject them to pressure or impact.*

*Use a knife or cutting pliers to cut and strip them. Never use more cable than absolutely necessary.*

### MCL cable

The two plugs mounted on the MCL cable must be connected to the SPEAKERS 2 sockets on the Beomaster or Beocenter in the central audio system. Mount the stripped end of the cable in the MCL relay box, terminal strip 2, in the order indicated.



Fasten the cable by tightening the screws in the bracket B.

*If a cable is to be run to yet another room, the leads in this cable must also be connected to the terminal strip 2, i.e. two leads of the same colour will be connected to the same terminal.*

*Terminal strip 1 should not be used. This strip is intended for a separate transceiver which is not required in this system, because it uses the transceiver in the TV.*

*The MCL cable is available in any length you may require from your Bang & Olufsen dealer.*

### Aerial cable

Connect an aerial splitter, e.g. the VL 1, to the central video system, and then connect the aerial signal from the aerial splitter to the TV in the local system by means of an aerial cable.

*Aerial splitters as well as aerial cable in any length you may require are available from your Bang & Olufsen dealer.*

### Mains adaptor

Plug the lead from the mains adaptor into the socket marked DC 15 V on the relay box. Connect the mains plug to the mains *before* the TV is connected to the TV socket in the relay box.

## Connecting a Beovision MX 3500 or a similar TV

Connect the supplied 7-pin cable to the TV socket on the MCL 2 AV relay box and to the AUDIO AUX LINK socket on the TV.

Always switch the power for the relay box off and on *before* you connect the TV to the relay box.

### Preprogramming the TV

The TV requires preprogramming in order to react properly when operated by means of the Beolink remote control terminal.

*Do the preprogramming with a Beolink remote control terminal, and with the Beomaster or Beocenter in the central audio system connected to the mains:*

#### Option 2

*Bring the whole system into stand-by mode (press SHIFT, ●), and then press PICTURE, 2, STORE.*

*The stand-by indicator on the TV flashes once to confirm that the command has been received. The TV has now been programmed for Option 2 and may be operated.*

*To program the TV for Option 1, i.e. the condition of the TV when supplied from the factory, follow the instructions above but press 1 instead of 2. Option 1 is used in a room with a TV and active loudspeakers as well as a transceiver.*

### Video frequencies

*When supplied from the factory, the TV is programmed in such a way that if you select a source directly on the Beolink remote control terminal, e.g. SATELLITE or V.TAPE, you will be able to watch the central video source in question on your X-tra TV.*

*The transmission frequency from the central video sources is stored under special program numbers (46-50) which can be selected only by direct source selection or by entering the number you want manually:*

CDV	551 MHz	P.no. 46
SATELLITE	599 MHz	P.no. 47
V.TAPE 2	567 MHz	P.no. 48
V.TAPE 1	599 MHz	P.no. 49
LINK, TV (Central TV)	599 MHz	P.no. 50

*This factory setup may be modified if required, for example if a TV station is broadcasting on one of these frequencies. In this case you should follow the ordinary tuning procedure for the TV as described in the user's guide for the TV and store the new frequency under the program number in question.*

### Local audio sources

Local audio sources may be connected to the sockets on the socket panel of the MCL 2 AV relay box:

TAPE: Socket for a Beocord audio tape recorder.

CD: Socket for a Beogram CD or a Beogram LP record player with a built-in RIAA preamplifier.

## Connecting different types of TV

Other types of Beovision TV, e.g. a Beovision MX 3000, may also be used in the local system, only the TV in question must be equipped with a 7-pin socket marked LINE.

The relay box and cables must be mounted exactly as described in this guide.

If you want the timer function, you also need to install a transceiver in the system. In this case the system has to be preprogrammed differently than a local system with a Beovision MX 3500 and without a transceiver.

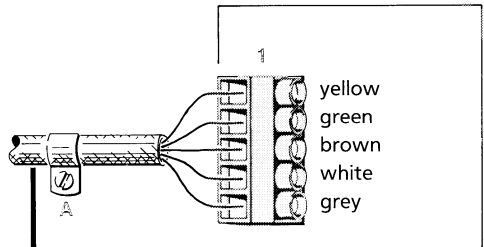
## Connecting the transceiver

The transceiver can be mounted in different ways:

- *Direct mounting on a wall or another surface with tape.*
- *Fastened to a wall with screws.*
- *Flush-mounted in a thin partition wall of wood or plasterboard, for example.*

*Run the cable out through the hole in the rear plate before mounting the transceiver. The cable may also be taken out to the left by running it in the groove provided in the rear plate.*

*Strip the transceiver cable and connect the leads to terminal strip 1 in the relay box in the order indicated. Fasten the cable by tightening the screw in the clamp A.*



## Preprogramming the local system

The system, i.e. the TV and transceiver, require preprogramming in order to react properly when operated by means of the Beolink remote control terminal.

*Do the preprogramming with a Beolink remote control terminal, and with the Beomaster or Beocenter in the central audio system connected to the mains.*

The TV has to be programmed for **Options 2 and 5 (=MASTER)**:

- *Beovision L/LX 2502/2802 (s/w versions 2.1 and higher required):  
Switch on the TV. Press SHIFT, TEXT to see the screen display. Then select TV: OPTION 2 and TV: MASTER.*
- *Beovision MX 3000/4500/5000:  
Bring the whole system into stand-by mode (press SHIFT, ●), and then press PICTURE, 2, STORE and PICTURE, 5, STORE.  
(In TV's with a s/w version older than 2.0, the jumper J4 in the relay box also has to be cut.)*
- *Beovision LX 2500/2800 with Datalink module (required):  
See the installation guide for the Datalink module.*

*To program the TV for Option 1, i.e. the condition of the TV when supplied from the factory, follow the instructions above but select TV: OPTION 1 or press 1 instead.*

*The TV furthermore has to be tuned to the frequency on which the central video sources are transmitting, e.g. the frequency of the video tape recorder (approx. 599 MHz) under program number 9. This is done by following the ordinary tuning procedure for the TV. Don't forget to press SHIFT, 2 to adapt the program number in question to the video frequency.*

The transceiver has to be programmed for **active loudspeakers** and **Option 2**:

- *Bring the whole system into stand-by mode (press SHIFT, ●). Hold the TIMER button on the transceiver and press AV on the Beolink remote control terminal.*
- *Bring the whole system into stand-by mode (press SHIFT, ●). Press LINK, 2 and STORE.*

