

5
SERIES

LAS VEGAS CDM147

4 X 35 WATTS POWER



BLAUPUNKT

CD Receiver with CD Changer Control

R cepteur/Lecteur CD avec Changeur de CD

Receptor/Reproductor de CD con Cambiador de CD

CD Receptor com Controle de Cambiador CD

● BLAUPUNKT.

Bosch Group

FCC Warning

The equipment has been tested and found to comply with the limits for a Class B device, pursuant to Part 15 of the FCC Rules. These limits are designed to provide reasonable protection against harmful interference in a residential installation. This equipment generates, uses, and can radiate radio frequency energy, and, if not installed and used in accordance with instructions, may cause harmful interference with radio communications. However, there is no guarantee that radio interference will not occur in particular installation. If this equipment does cause harmful interference to radio or television reception, which can be determined by turning the equipment off and on, the user is encouraged to contact the dealer or an experienced Radio/TV technician for help.

You are cautioned that any changes or modifications not expressly approved in this manual could void your authority to operate this equipment.

CAUTION

- The use of optical instruments with this product will increase eye hazard.
- Because the invisible laser beam in this compact disc player is harmful to the eyes, do not attempt to disassemble this cabinet. Refer servicing to qualified personnel only.

SAFETY CERTIFICATION

This Compact Disc Player is made and tested to meet exacting safety standards. It meets FCC requirements and complies with safety performance standards of the US Department of Health and Human Services.

Owner's Record

The model and warranty numbers are located on the top of the unit. Record the warranty (serial) number in the space provided below. Refer to these numbers whenever you call upon your Blaupunkt dealer regarding this product.

Warranty Number _____

Attach Sales Receipt Here

Table of Contents

English

FCC Warning	2
Owner's Record	2
Features	4
Precautions	4
Detachable Face	5
Electrical Connections and Installation	6
Installation	8
Maintenance	10
Specifications	11
Location of Controls	12
Instructions—General Operation	13
Audio Operation	14
Radio Operation	14
CD Player Operation	15
Auxiliary Input Jack	17
Changer Control	17
Changer TPM	18
Direct Software Control Menu	19
Wireless Remote Control	22
Troubleshooting Guide	23

Français

Avertissement de la FCC	24
Archive du Propriétaire	24
Caractéristiques	25
Précautions à Prendre	25
Face Avant Amovible	26
Raccordements Électriques et Installation	27
Installation	29
Entretien	31
Spécifications	32
Emplacements des Commandes	33
Mode d'Emploi/Fonctionnement Général	34
Fonctionnement de la Audio	35
Fonctionnement de la Radio	35
Fonctionnement du Lecteur de CD	37
Prise Auxiliaire	38
Commande du Changeur	39
Mémoire de Programme des plages du Changeur	40
Menu	42
Guide de Dépannage	46

Español

Advertencias FCC	47
Registro del Propietario	47
Características	48
Precauciones	48
Panel Frontal Desmontable (Carátula)	49
Conexiones Eléctricas e Instalación	50
Instalación	52
Mantenimiento	54
Especificaciones	55
Ubicación de los Controles	56
Instrucciones de Funcionamiento	57
Funcionamiento de Audio	58
Funcionamiento de la Radio	59
Funcionamiento del CD	60
Tomada de Entrada Auxiliar	61
Control de Cambiador	62
Memoria de Programación de Pistas del Cambiador	64
Menu	65
Guía para la Solución de Problemas	69

Portuguese

Aviso da FCC	70
Registro do Proprietário	70
Características	71
Precauções	71
Painel Removível	72
Conexões Eléctricas e Instalação	73
Instalação	75
Manutenção	77
Especificações	78
Posição dos Controles	79
Instruções-Funcionamento Geral	80
Funcionamento do Audio	81
Funcionamento do Rádio	82
Funcionamento do CD	83
Tomada para Entrada	85
Controle de Cambiador	85
Memória Programação de Faixas do Cambiador	87
Menu	88
Guia para Solução de Problemas	92

Features

Congratulations on your purchase of this Blaupunkt CD Receiver. Its Codem III-US FM/AM Tuner, 3-Beam Laser/Anti-Vibration & Shock mechanism and CD Changer Controls provide the ultimate in sound reproduction. Its high-power amplifier and 4-Channel RCA preamp output provide you with tremendous system configuration flexibility. It's auxiliary input jack lets you easily incorporate portable audio equipment, such as a cassette or DAT player, into your car's sound system. Blaupunkt's exclusive Direct Software Control Menu allows you to customize many of the units features to your specific preferences.

- Codem III-US Tuner Features:
 - Multipath Management
 - ASU Electrical Impulse Noise Reduction
 - Superior AM Frequency Response
 - 18 FM/6 AM Presets, Including 6 FM & 6 AM Travelstore Presets
 - Station & Preset Scans
 - Station Naming
 - Tuner Timer
 - Local/Distant Seek & Manual Tuning
- Audio Features:
 - 35 Watts x 4 Channel Integrated Amplifier
 - Dual-Level Fader
 - Over 3 Volts of Distortion-Free Preamp Output
 - 4-Channel, Low Impedance (200 Ω Preamplifier)
 - 2-Channel RCA Preamp Output Harness Included
 - Bass, Treble, Balance, Fader Controls
 - Source Tone & Loudness-Level Memory
 - Adjustable Maximum Turn-On Volume & Mute
 - Auxiliary Input
- CD Player Features
 - Track Up/Down
 - Scan, Mix, Repeat
 - Cue/Review & Pause/Play
 - CD IN Indicator
 - Last Position Memory
 - 3-Beam Laser Pick-Up
 - 1 Bit/8 Times Oversampling Digital Filter
 - Silicone-Oil Dampened Anti-Vibration and Shock CD Mechanism
- Other Features:
 - 16 Direct Software Control Menu Options
 - Detachable Face with Hardshell Case
 - Green Illumination
 - Source Display Priority
 - Clock/Ignition-Off Clock Recall
 - 180 x 50 x 155 mm (7 x 2 x 6¹/₈ in.) DIN/ISO Chassis
 - Detachable Wire Harness w/Bullet Connectors
 - Snap-In DIN Sleeve & Mounting Hardware
 - Side Bracket Compatible
 - RC-06H Wireless Remote Control included
 - Optional Thummer™ Steering Wheel Mounted Wireless Remote Control
- CD Changer Control Features
 - Controls CDC-A05 or CDC-A071 Changer
 - Disc Naming/Disc List/Disc Select-By-Name
 - Disc/Track Up/Down
 - Disc/Track Scans/Repeat/Mix 1 & 2
 - Track Program Memory
 - Cue/Review, Pause/Play
 - Last Position Memory

Your unit's fully-detachable front faceplate makes the unit useless to would-be thieves.

Designed, Engineered and Manufactured By Blaupunkt.

Traffic Safety and Precautions

- Do not adjust your unit in difficult driving conditions that demand your full attention.
- As the driver of a motor vehicle, it is your responsibility to pay attention to the traffic situation at all times. Never use your unit in a way that could distract you.
- Always make sure that you are still able to hear any warning signals coming from outside of the vehicle, such as police or fire engine sirens, so that you can react accordingly.
- If your vehicle was parked in direct sunlight resulting in a considerable rise in temperature inside the vehicle, allow the unit to cool off before operating your unit.
- The use of optical instruments with this product will increase eye hazard.
- Because the invisible laser beam in this compact disc player is harmful to the eyes, do not attempt to disassemble this cabinet. Refer servicing to qualified personnel only.
- You are cautioned that any changes or modifications not expressly approved in this manual could void your warranty.
- Car Wash precaution - If you have a motorized antenna, make sure to turn off the unit – not just the tuner – so that the antenna is lowered and antenna damage is prevented!

Detachable Face

Detaching & Attaching the Face:

The face of this unit can be detached and taken with you to prevent it from being stolen.

Detaching the Face:

Before detaching the face, be sure to press the PWR Button first. Then press the REL (Release) Button and detach the face by gently pulling it off as illustrated.

Note: Do not pull it straight out from the chassis. Be sure not to drop the face when detaching it from the chassis.

Attaching the Face:

Apply the right hand side of the face to the chassis by sliding (part B) of the face to (part A) at the front of the chassis. Gently push the left side of the face against the front of the chassis until it snaps into place.

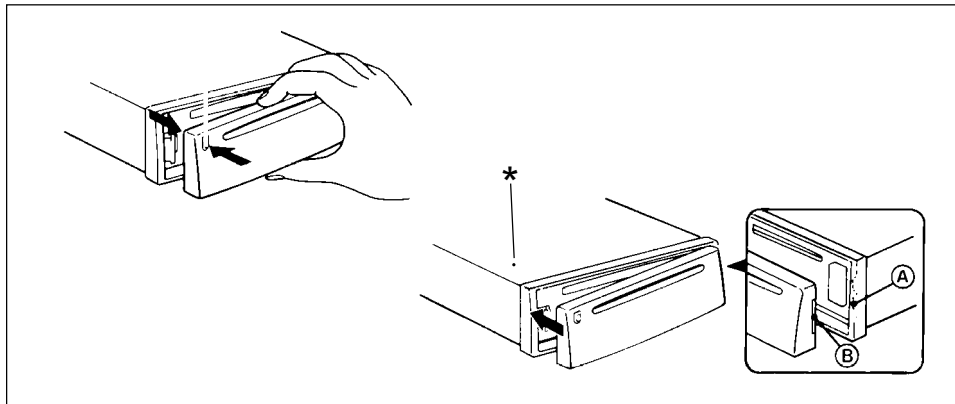
Note: Make sure that the face is inserted right side up. Do not press against the display window. Do not press hard against the face when attaching it to the chassis, it may be easily attached with gentle pressure. When carrying the face with you, put it in the carrying case. Do not expose the face to direct sunlight, heat sources such as hot air ducts or leave it in a humid place. Never leave it on the dash board of a vehicle parked in direct sunlight, where there may be a considerable rise in temperature inside the vehicle.

Affixing Faceplate For Retail Display:

The faceplate can be affixed to the unit's chassis, which is desirable for a retail display, for example.

To affix the faceplate:

Insert the black bolt into the hole at the left front of the top of the radio. See* below.



Electrical Connections and Installation

To avoid the aggravation of costly mistakes and serious damage that could make you feel this way, please carefully read all of the instructions before you begin. Carefully follow all instructions. You'll be glad you did!

GENERAL RECOMMENDATIONS

- If you're not confident that you can install the unit correctly, have it installed by a qualified Blaupunkt installation technician.
- Use this unit only with negative ground 12 Volt (11-16 Volt) direct current (DC).
- Be sure to detach the faceplate before you start to connect or install the unit.
- Don't assume that a seemingly matching wire harness in the vehicle has leads that match the leads of the unit's wire harness.
- We recommend making and testing all electrical connections before installing the unit. Connect the leads (wires) according to instructions and diagram below.

IF YOU ARE INSTALLING A COMPATIBLE BLAUPUNKT CD CHANGER

- For speaker connection, use the speaker wire harness section that comes with the receiver.
 - For other connections, use the wire harness sections that come with the CD Changer, not the receiver.
 - Note that some of the CD Changer's wire harness leads have different colors:
 - In place of yellow lead, use red lead (that has yellow BATT. clip) for constant power.
 - In place of black lead, use brown lead for ground.
 - In place of dark green lead, use gray lead for cellular mute.
- The changer harness also had an orange lead that is non-functional with this receiver.

ELECTRICAL CONNECTION INSTRUCTIONS

1. Disconnect the vehicle battery's negative terminal before making connections.
2. Connect the speakers and/or external amplifiers (if you have any) following the guidelines in the SPEAKER CONNECTION section below.
3. Connect the blue (trigger output) lead to an antenna motor trigger switch input terminal (if you have one). (Maximum amperage required must not exceed 150mA.)
4. If you have an external amplifier, connect the blue/white lead to the amplifier's trigger switch terminal. DO NOT connect the blue/white lead to the antenna's power supply input. (Maximum amperage required must not exceed 150mA.)
5. If you have a cellular telephone set that has a mute lead (lead that supplies constant ground when telephone is in use), connect it to the dark green lead.
6. Connect the black (power ground) lead to a grounded metal part on the vehicle. We recommend grounding all audio system black ground leads (receiver, external amplifier, etc.) to a common grounding point, preferably a non-painted surface under the instrument panel.
7. Connect the yellow (constant power) input lead to a source of constant battery power, preferably a terminal to an appropriate slot in the fuse box.
8. Connect the red (turn-on power) input lead only after the other leads are connected. Be sure to connect the red lead to a positive (+) 12 Volt power terminal that is energized only when the ignition key is set to the on position or accessory position.
9. Cover the ends of any unused leads with electrical tape. This will prevent them from touching the vehicle or each other and causing a short-circuit and damage to the unit or vehicle.
10. Reconnect the vehicle's battery.
11. Verify that no fuses have blown.
12. Plug the harness into the unit.
13. Attach the faceplate and test the unit.

Once the connections have been successfully made, you can begin to mount the unit.

SPEAKER CONNECTIONS

The unit's Dual-Level Fader allows you to fade between the front and the rear channels using either the front and/or rear speaker leads and/or the rear preamp outputs, providing you

tremendous flexibility in configuring your speaker arrangement:

- You can connect a speaker (regular, co-axial or tri-axial speakers or component speaker system, all hereafter referred to simply as "speaker") to each of the units' four pairs of speaker leads.
- You can connect the 2 RCA preamp outputs to multiple external amplifiers and power multiple speakers or speaker systems through the amplifiers. (Blaupunkt amplifiers and speakers available separately). To add front preamp output, purchase Blaupunkt part 8634494218, which is included in the CDC-A05 and CDC-A071 changers harnesses.
- You can use either or both of these two methods.

Connecting the Speaker Leads

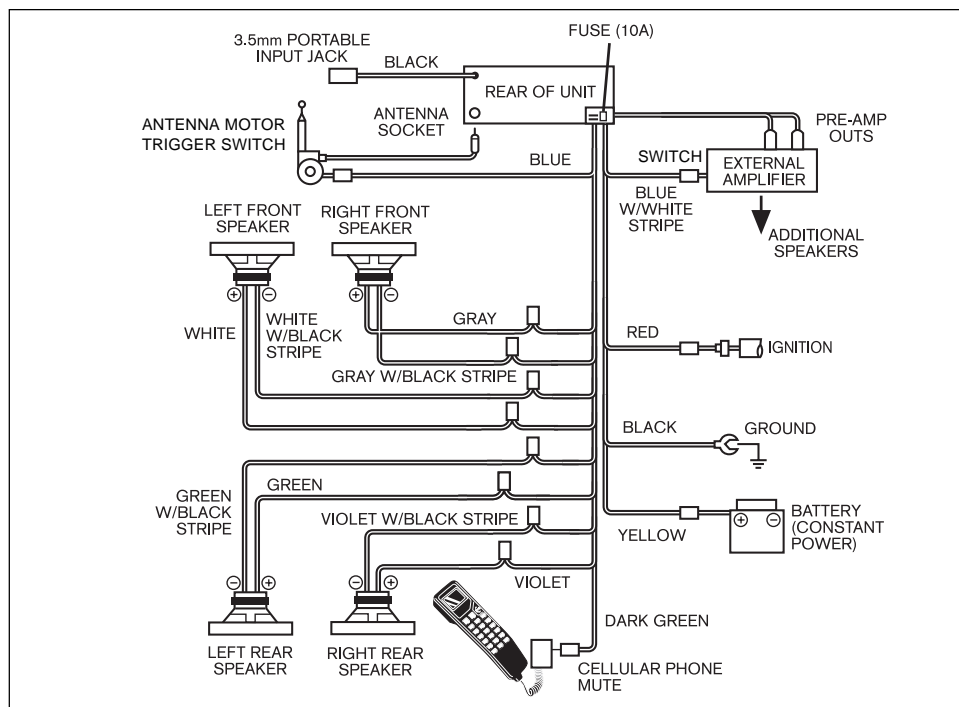
To prevent short circuits or serious damage to the unit and/or speakers:

- Connect the speaker leads only as indicated in the wiring diagram. Disconnect the vehicle battery's negative terminal before making connections.
- Only use speakers that have impedance ratings of 4 ohms or higher and have power-handling capabilities greater than the receiver's stated power level.
- The unit's internal amplifier is designed to handle a 4-ohm load on each pair of speaker leads.
- DON'T connect two speakers to a single pair of speaker leads ("in parallel") unless both speakers each have at least 8 ohms impedance.
- DON'T connect the left and right speaker leads to each other or to the same speakers.
- DON'T connect the front and rear speaker leads to each other or to the same speakers.
- DON'T connect the negative speaker leads to each other.
- DON'T connect the positive speaker leads to each other.
- DON'T connect any active speakers (with built-in amplifiers) to the speaker leads unless their owner's manuals specifically state that this is O.K.
- Cover the ends of any unused leads with electrical tape. This will prevent them from touching the vehicle or each other and causing a short-circuit and damage to the receiver or vehicle.

Connecting the Pre-Amp Outputs to External Amplifier(s)

To prevent short circuits or serious damage to the receiver, amplifier, and/or speakers:

- Follow the amplifier's instructions on how to connect the unit's preamp outputs to the amplifier(s) and connect the speaker(s) directly to the amplifier.

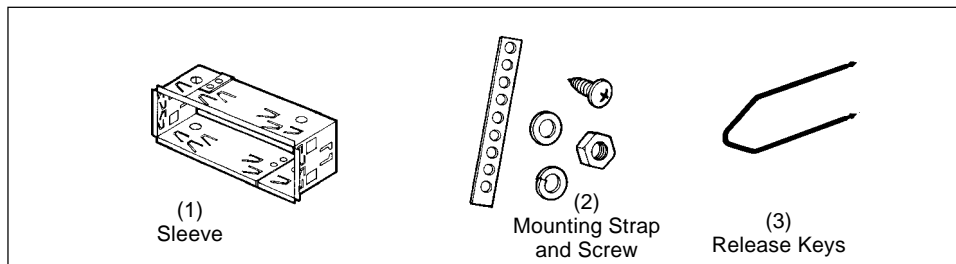


Installation

Recommendations

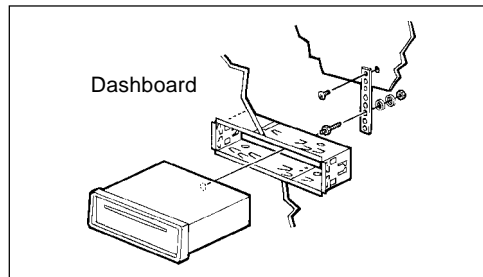
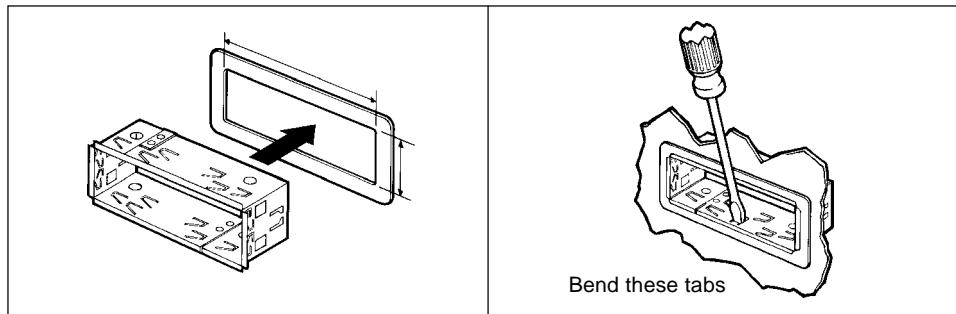
- Carefully choose the mounting location so that the unit won't interfere with normal driving.
- Avoid mounting locations where the unit would be subject to high temperatures, such as from direct sunlight or hot air from the heater, or where it would be subject to dust, dirt or excessive vibration.
- The illustration below shows a typical installation, however, you may need to adjust the installation, depending on the unit. If you have questions or need additional installation hardware, consult your Blaupunkt dealer.
- Make sure the unit is firmly anchored (preferably at both front and back) and does not vibrate.

Mounting Hardware



Mounting The Unit in Most Dashboards

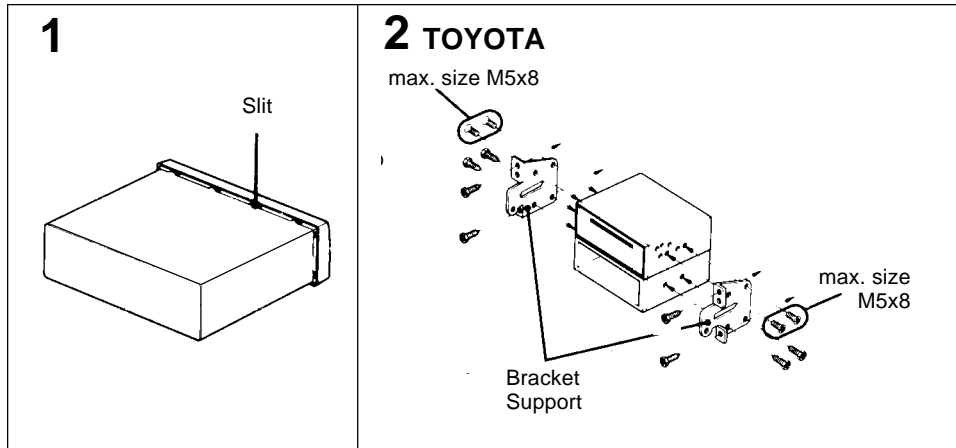
- 1 Install the Sleeve (1) in the dashboard.
- 2 Select and bend the appropriate tabs to hold the sleeve firmly in place.
- 3 A. Attach the Mounting Strap (2) to the underside of the dashboard, using screw.
B. Attach the back of the unit to the mounting strap using the support stem bolt and hardware.



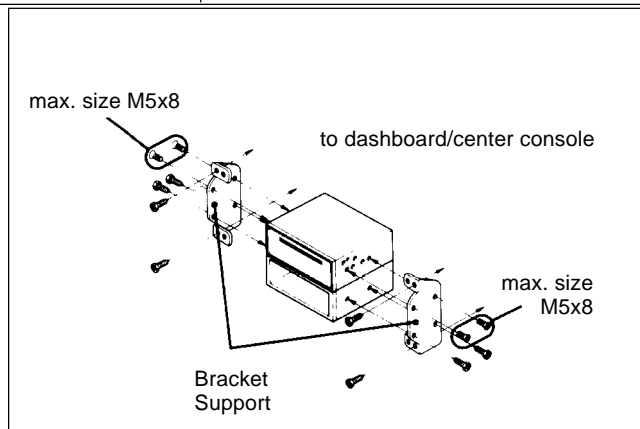
Mounting the Unit in a Japanese Car

You may have difficulty mounting this unit in some Japanese cars that have ISO mounting features (side-bracket mounting systems). In this case, consult your Blaupunkt dealer.

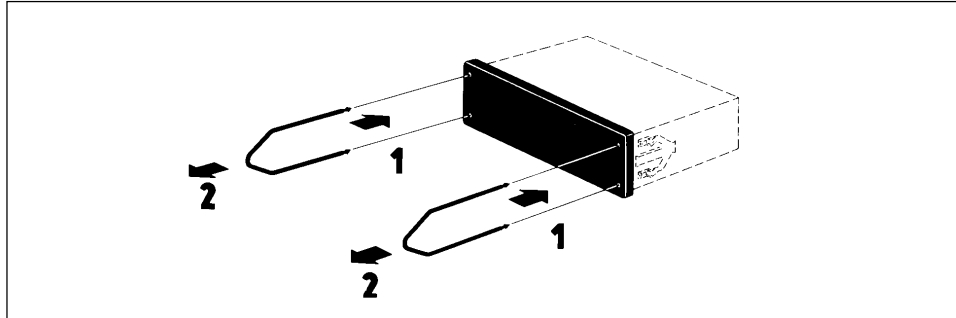
- 1 Run a blade along the slits on the back of the front trim ring and separate it from the unit.
Save the trim ring in case you ever in case you ever want to instal the unit in another vehicle.
- 2 Use the vehicle's own mounting hardware to attach the unit.



2 NISSAN



Maintenance



Removing the Unit

Use the Release Keys as shown below. Keep them in a safe place in case you need them in the future.

Fuse Replacement

When replacing the fuse, be sure to use one with the correct amperage, which will be stated on the fuse case. Never use a fuse that has a stated amperage exceeding the one supplied for this unit, as this could cause malfunction and serious damage to the unit.

Cleaning the Connectors

The unit may not operate properly if the connectors between the unit and the face are contaminated with dirt. In order to prevent this from happening, remove the face from the unit by pressing the REL (Release Button), then detach it and clean the connectors from time to time. Clean the connectors with a cotton swab and isopropyl alcohol (90% or higher). Be sure to clean them with a vertical motion. Never clean them horizontally, because this could damage the contact points.

Specifications

Audio Power Specifications

Power Output and Total Harmonic Distortion: 13.5 watts per channel minimum continuous average output into 4 ohms, 4 channels driven, from 30-15,000 Hz with no more than 1% total harmonic distortion.

Other Specifications

Tuner

FM

Tuning Range:	87.5 - 107.9 MHz
Intermediate Frequency:	10.7 MHz
FM Mono Sensitivity:	13 dBf
Seek lo sensitivity:	51 dBf
Seek sensitivity	31 dBf
Selectivity:	80 dB at 400kHz
Signal-to-Noise Ratio:	65 dB (stereo), 70 dB (mono)
Harmonic distortion at 1 kHz:	0.7% (stereo), 0.5% (mono)
Separation:	30 dB
Frequency Response:	30-15,000 Hz \pm 3 dB

AM

Tuning Range:	530 - 1,710 kHz
Seek lo sensitivity	50 dB μ V
Seek sensitivity:	25 dB μ V
Intermediate Frequency:	450 kHz
Signal-to-Noise Ratio:	50 dB
Frequency Response:	30-5,000 Hz \pm 3dB

CD Player

Signal-to-Noise Ratio:	90 dB
Dynamic Range:	90 dB
Frequency Response:	5-20,000 Hz \pm 3 dB
Harmonic Distortion:	.01%

Audio

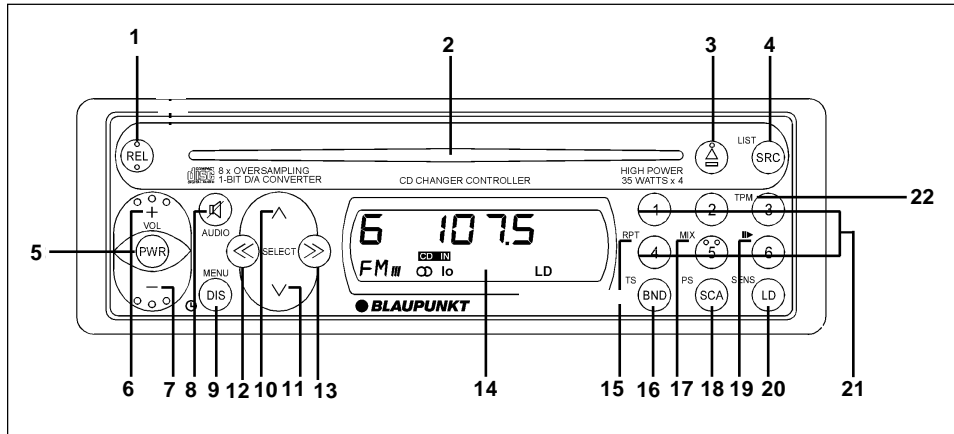
Speaker Impedance:	4-8 ohms
Maximum Amp Power:	4 X 35 Watts (at 4 ohms)
RMS Power:	4 X 13.5 Watts (at 4 ohms) <1% THD
Bass Control:	\pm 10 dB @ 100 Hz
Treble Control:	\pm 10 dB @ 10 kHz
Loud1:	+ 8 dB @ 60 Hz & + 2 dB @ 8 kHz
Loud2:	+ 12 dB @ 60Hz & + 4 dB @ 8 khz
Preamp Outputs:	4-Channel, Low-Impedance (200 Ω) Preamplifier
Preamp Output Voltage:	Over 3 Volts of Distorsion-Free Preamp Output

General

Dimensions (w/o projecting parts/controls):	180 x 50 x 155 mm 7 x 2 x 6 ¹ / ₈ in.
Mass:	Approx. 1.4 kg (3.0 lb.)
Power Requirement (neg. grd.):	12 V DC car battery (11-16 V DC allowable)
Operating Temperature:	15°F to 120°F, -10°C to 50°C
Supplied Accessories:	<ul style="list-style-type: none">• Unit• Faceplate• Wire Harness, including 2-Channel RCA Preamp Output Harness• DIN Sleeve• Mounting Hardware• Owner's Manual in English, French, Spanish and Portuguese• RC-06H Wireless Remote Control
Optional Accessories:	<ul style="list-style-type: none">• 4-Channel Preamp Output Harness (Part No. 8634494218)• CDC-A05 or A071 CD Changer• Thummer™ Steering Wheel Mounted Wireless Remote Control

Design and specifications subject to change without notice.

Location of Controls



- | | |
|-----------------------------------------|---------------------------------------------|
| 1. REL (Release) Button | List Mode Disc Select |
| 2. Disc Insertion Slot | Bass, Treble Decrease |
| 3. Eject | Balance Left |
| 4. SRC (Source)/LIST Button | Name Character Position |
| Source Change | 13. >> |
| Disc Name List Access | Manual Tuning Up |
| 5. PWR (Power) Button | Menu Feature Adjust |
| 6. Volume + | Track Up |
| 7. Volume - | Audible Cue |
| 8. Mute/Audio Button | List Mode Disc Select |
| Mute, Bass, Treble, Balance/Fade Access | Bass, Treble Increase |
| Name Storing/Deletion/Exit | Balance to Right |
| Minute: 00 | Name Character Position |
| 9. DIS (Display)/MENU Button | 14. Display |
| Display Change | 15. RPT (Repeat) Track Repeat & Disc Repeat |
| Menu Access | 16. BND (Radio Band)/Travel Store Button |
| Demo Message Off/On (8 second press) | FM/AM Band Acces |
| 10. \wedge | FM/AM Travel Store |
| Seek Tuning Up | 17. MIX Button (MIX 1 and 2) |
| Menu Feature Select | 18. SCA (Scan) Button |
| Disc Up | Station Scan |
| Bass, Treble Increase | Preset Scan |
| Fade to Front | Track Scan |
| Name Character Select | Disc Scan |
| 11. \vee Button | 19. Pause Button |
| Seek Tuning Down | 20. LD (Loud)/SENS Button |
| Menu Feature Select | Loudness On/Off |
| Disc Down | Tuning Sensitivity Select |
| Bass, Treble Decrease | 21. FM/AM Preset Buttons |
| Fade to Rear | 22. TPM (Track Program Memory) Button |
| Name Character Select | TPM Store |
| 12. << | TPM Play |
| Manual Tuning Down | TPM Delete |
| Menu Feature Adjust | |
| Track Down | |
| Audible Review | |

Instructions — General Operation

See **Traffic Safety & Precautions** on page 4.

“Press” means a momentary press of less than 1/2 second. All presses requiring more than 1/2 second are followed by beep. (Beep for all button presses available through Direct Software Control Menu.)

“Time Out” When additional button presses are anticipated to complete a procedure, the unit will automatically exit the procedure after 4 seconds of inactivity. (8 for Menu mode.)

Ignition-Off Clock Recall

Any button press while ignition off displays time for 8 seconds.

Ignition-On

Unit lights up and clock is displayed.

Demo Mode

The unit is programmed to scroll some key features across the display if no button is pressed for one minute . (You may have seen this at the store where you purchased your radio.) TO TURN THIS OFF, turn the unit on and press DIS for 8 seconds until “DEMO OFF” appears. (Pressing DIS for 8 seconds again will re-activate this feature.)

Release for Detachable Faceplate

Push REL to detach face. Already-inserted CD remains in unit. Current settings and source mode are stored, except when detach occurs during Menu mode, new Menu settings are not stored. If power was not switched off before face removed, unit will automatically power-on when face is reattached.

Power (PWR) On/Off

When ignition on, press PWR or insert a disc to turn unit on. Last-used source becomes active, unless unit is turned on by inserting disc, in which case CD player becomes active. Display sequence at Power-On:

1. Turn-On Message (To turn message off or modify message, see Menu, page 19.)
2. “RADIO”, “CD PLAY”, “CHANGER” or “AUX IN”.
3. Functional information sequence (See Display Options, below.)
4. Priority display for active source.

Display Options

Press DIS to change information shown at times when no manual or automatic activity takes place. Choice of priority display is separate for each audio source:

Radio: Station Name (if named) —> Frequency —> Clock
CD: Track No./Elapsed Play Time —> Clock
CDC: Disc Name (If named) or Disc No. —>Disc No./Track No.—>Track No./Elapsed Play Time —> Clock
AUX : “AUX IN” —> Clock

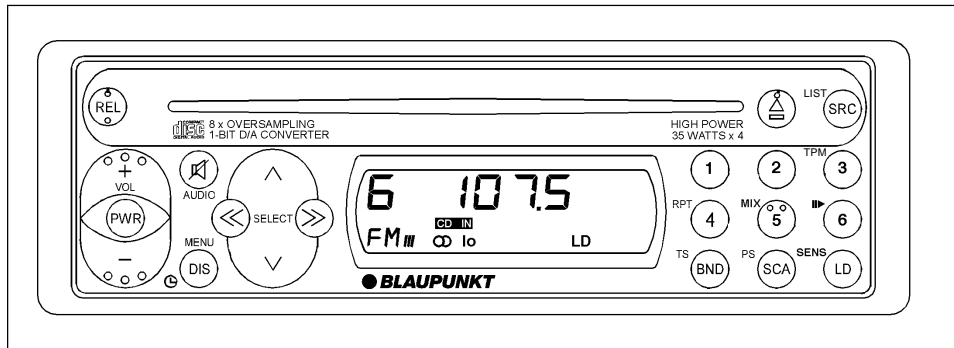
After a change in source, radio station or CD play, the current source’s non-clock displays are shown in sequence, then display returns to current source’s priority display.

Source (SRC)

Use SRC to select source - radio or CD (if already inserted), CD changer (if connected) and/or auxiliary input (even if no input on aux in line) as per model’s features.

Power Off

Press PWR for more than 1/2 second to turn unit off. Unit stores current settings for source, station or track, etc. Antenna and amplifier trigger wires shut off voltage. (If faceplate still attached, display switches to clock.)



Audio Operation

Volume Control Buttons (+/-)

Press + and - to increase/decrease volume from 0 to 63, in increments of 1.25 dB/step. Volume control is accessible from all modes except Name Access and Edit modes.

Mute & Cellular Mute

Press Mute to temporarily reduce volume to level set under Menu. "MUTE" appears. (Same mute level is also activated by cellular mute (if connected). "TEL MUTE" appears.) Mute or cellular mute is terminated by pressing any button. (Cellular mute is also ended by ending cellular telephone use.) If volume level lower than mute level, lower volume level is maintained, even though "MUTE" appears.

Automatic Source Tone Memory

Bass and treble adjustments made are source specific, allowing different settings for each source (FM, AM, CD, Auxiliary and/or Changer) as is Loudness.

Bass, Treble, Balance and Fade

Press Mute/AUDIO for more than 1/2 second to access Bass. Subsequent presses access Treble mode, then Balance/Fader mode.

Bass - Adjust from +7 to -7 at 2 dB/step using >> or ^ to increase bass, << or V to decrease.

Treble - Adjust from +7 to -7 at 2 dB/step using >> or ^ to increase treble, << or V to decrease.

Balance/Fade ("BAL/FADE") Adjust balance from L9 (all the way left) using << to R9 (all the way right) using >>. Adjust fader from F9 (sound only from the front) using ^ to R9 (sound only from the rear) using V.

Loudness (LD)

Press LD to increase sound of low and high frequencies. Loudness level set under Menu and is source dependent. LD icon appears. To cancel, press LD again.

Radio Operation

Once tuning is complete, radio display sequence follows.

Last Station Memory

Each FM bank and AM band has its own last station memory which holds last-tuned frequency for that band or bank irrespective of whether that frequency is stored into a preset.

BND Button

Press BND to access FM1, FM2, FM3/FMT, AM/AMT banks. When in radio mode, advances to next bank. When in other source, returns to last-tuned bank.

Seek Tuning

Press \wedge or \vee to seek next receivable frequency. Tuning stops at frequency that fulfills sensitivity requirements predetermined by sensitivity set through SENS/LD button. Press of \wedge or \vee buttons for more than 1/2 second seeks next receivable frequency after button is released.

Tuning Sensitivity (SENS)

Press SENS/LD for more than 2 seconds to switch between lo and dx search sensitivity.

Radio Reception Hints

- When listening to weak or distant AM stations, adjusting the Treble to minimum (-7) will reduce noise and improve sound.
- In general, set SENS to DX if in rural areas or where stations tend to be weak and distant, and to LO when in metropolitan areas or where stations tend to be strong and local.

Stereo Symbol

Stereo symbol turns on if a stereo station with an incoming signal of 20 dB μ V is received. The unit gradually switches between mono to stereo automatically.

Manual Tuning

Press << or >> and frequency will go one channel/step in direction pressed. Press and hold causes continuous manual tuning.

Preset Station Storage

After tuning desired frequency on desired band, press and hold a Preset Button for more than 2 seconds to store current frequency. Audio is muted during storage, preset number appears, and beep acknowledges storage. No preset storage during seek, scan or Travel Store.

Preset Station Selection

Press desired Preset Button.

Travel Store

This feature allows you to automatically store stations onto all 6 preset buttons and is especially useful when traveling outside your normal listening area. In any FM Bank, press BND for 2 seconds to activate FM Travel Store. (In AM Bank, press BND for 2 seconds to activate AM Travel Store.) T STORE appears, followed by seek-type display of frequency and preset numbers. Beginning at the bottom of the band, TS stores six strongest stations, one on each of the six preset buttons, in decreasing order of signal strength, and returns to preset 1. Pressing any presets or BND or scan cancels search operation. When source is changed during Travel Store, operation completes itself, despite source change.

Station Scan Tuning

Press SCA. "STA SCAN" appears, then frequency blinks (along with preset number if appropriate) during scanning. Unit stops at receivable stations for scan time set under Menu. Unit continuously scans until user stops scan by pressing SCA, another tuning button, SRC, or MENU button.

Preset Scan Tuning

Press PS/SCA for more than 2 seconds. "PS SCAN" appears, then frequency and preset number blink during scanning. Unit starts at FM1/Preset 1 (or AM/Preset 1) and proceeds through all presets (in FM all three banks) and returns to frequency tuned prior to PS activation and stops. Stops earlier if user presses another tuning button, SCA, SRC, or MENU button. Unit skips past preset frequencies that do not meet minimal seek-tuning threshold.

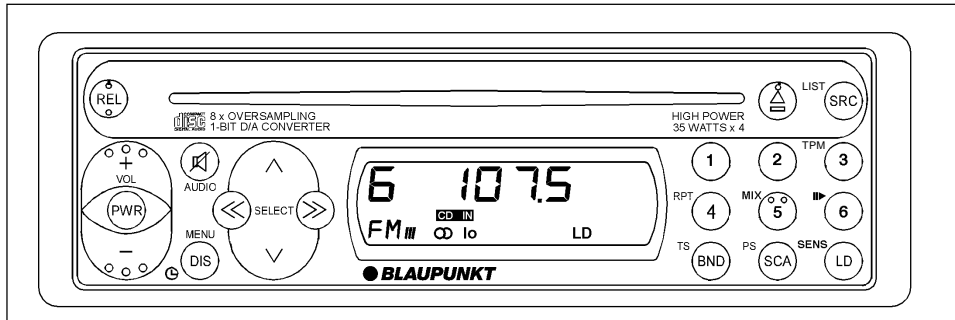
Tuner Timer and Station Naming (See pages 20 and 21)

Compact Disc Play Operation

Once CD playback adjustment is complete, CD display sequence follows.

CD Insertion

Make sure that "CD IN" isn't lit. Insert a disc into Disc Slot with printed surface facing up. Playback starts at beginning of first track.



CD Playback

When a CD is already in unit, press SRC as needed to activate "CD PLAY".

CD Eject

Press eject. Disc ejects. If disc is not removed within about 5 seconds (unless ignition off) or if eject is pressed again within this time, disc is automatically reloaded, although unit stays with current audio source. Press the SRC as required to access "CD PLAY" and restart disc playback.

Insert/Eject Summary			
Activity	Ignition Off	Ignition On/ Unit Off	Ignition On/Power On/ Other Source
Insert	No Reaction	Turns Unit On, becomes active source.	CD Player becomes active source.
Eject	Disc ejects. Stays out unless other button pressed.	Disc ejects. After 5 seconds, disc re-inserts.	Disc ejects. After 5 seconds, disc re-inserts.

Track Up/Down

Press << and >> to select track. Track Number and elapsed play time appear. Pressing << will restart current track if more than 1 second of track has been played. If less than 1 second, unit goes to beginning of previous track.

CD Track Cue and Review

Press and hold >> and << for audible cue/review.

CD Track Repeat Play

Press RPT to play current track repeatedly. (This cancels MIX or SCAN if previously active.) RPT1 appears. If track manually advanced, RPT becomes active for new track. To cancel, press again.

Mix Play

Press MIX to play tracks in random order. (This cancels RPT or SCAN, if previously active.) A track will not be played a second time until all tracks have been played. To cancel, press again.

CD Track Scan

Press SCA to start Track Scan. SCA deactivates any active MIX or RPT modes. "TRCKSCAN" appears for 2 seconds. Track No. and Elapsed Play Time blink during scanning operation. Unit stops at each track for time set under Menu. Unit continuously scans until user stops scan by pressing a SCA, source control, or MENU.

Pause

To pause, press II>. To cancel, press again or press other playback-related button.

CD Player Reset

In unlikely case of CD player trouble, reset CD player by turning unit's power and/or ignition off, and then power on unit. (See TROUBLESHOOTING on page 23.)

Auxiliary Input Jack

Connect other audio equipment, such as a portable cassette or DAT player, through the 500mV/3.5 mm pigtail connector. Access auxiliary equipment output by pressing SRC until "AUX IN" appears. Adjust volume, bass, and treble settings through the receiver.

Changer Control (When optional CD changer is connected.)

Your radio is ready to control a Blaupunkt CD Changer with the DISC Management System, such as the CDC-A05 or CDC-A071. See your Blaupunkt dealer for more information.

Once changer playback adjustment is complete, CD Changer display sequence follows.

Track Up/Down

Press << and >> to select tracks. Disc No. and Track No. appear. Pressing << will restart current track if less more than 1 second of track has been played. If less than 1 second has been played, unit goes to beginning of previous track. Pressing >> in last track will select next disc.

Track Cue and Review

Press and hold >> or << for audible cue or review.

Naming Discs- See page 21.

Disc Select By Name (Disc Up/Down)

Press \wedge / \vee controls to select discs. For easy identification of discs, the disc name appears immediately (or disc no. if disc not named and identified since magazine was inserted. See Disc Name Table, below.)

Disc Name List

Allows you to scroll through names of discs in changer **without leaving currently-playing disc.**

1. Press SRC for more than 1/2 second to enter LIST mode. Small "L" appears in left-most position of display.
2. Use \wedge and \vee to scroll through names. (Disc number appears if disc has not been named and identified since magazine was inserted. See Disc Name Table, below.)
3. If you find name of a disc that you want to hear, press < or > and changer automatically goes to that disc. If no new disc is selected, the LIST mode automatically ends after 5 seconds.

Disc Name Table

Until the changer has the chance to identify the discs in a newly-inserted magazine, the names of any named discs are not available. When a new magazine is inserted, the changer reads and identifies the discs' names at the earliest of the following opportunities: Disc Select (automatic or manual), Disc Scan, or Disc Select during Disc Naming mode or, if you switch to another source before the discs have been read, the changer automatically reads and identifies the names of the unread discs in a background scan that lasts at most about 2 minutes, making the names readily available as soon as possible!

Track Repeat

To play current track repeatedly, press RPT as needed until RPT I appears. If track manually advanced, RPTI remains active for new track.

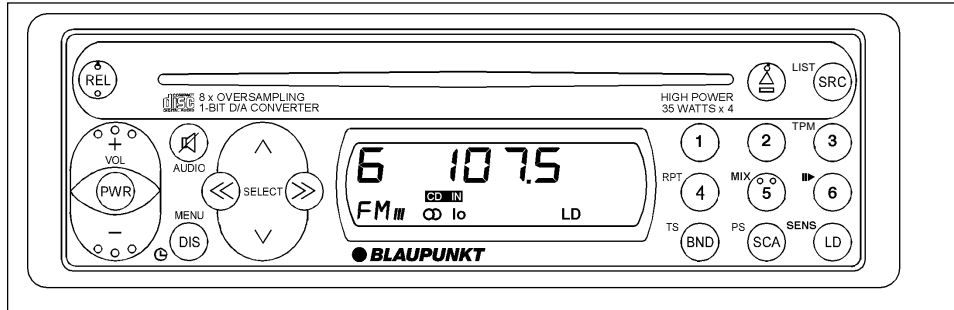
Disc Repeat

To play current disc repeatedly, press RPT as needed until RPT II appears. Once all tracks on disc are played, disc is repeated. If disc manually advanced, RPTII remains active for new disc.

To cancel RPT feature, press as needed until RPT indicator disappears.

Track Mix

Press MIX as needed until MIX I icon appears. This also cancels repeat, scan, and TPM features, if



previously active. A track will not be played a second time until all tracks have been played. Once all tracks have been played, next disc is selected.

Disc Mix

Press MIX as needed until MIX II appears. MIXII behaves per software in CD changer. Press of \wedge / \vee during MIXII mode returns unit to regular play. To cancel MIXII, press as needed until MIX indicator disappears.

Permissible combinations of MIX and RPT: Press of MIX during RPT2 mixes all of tracks with in 1 disc continuously.

Pause

To pause, press $\parallel >$. To resume playback, press again or press other playback button.

Track Scan

Press SCA to start Track Scan. "TRCKSCAN" appears, then Track No. and Elapsed Play Time blink during scanning operation. Unit stops at each track for scan time set under Menu. After scanning all tracks on disc, unit advances to next disc. Unit continuously scans until user stops scan by pressing a source control, SCA or MENU. SCA deactivates any previously-active MIX or RPT modes.

Disc Scan

Press SCA for more than 2 seconds to start Disc Scan. "DISCSCAN" appears, then Disc Names (or if unnamed, Disc Nos.) blink during scanning operation. Unit stops at each disc as per CD scan time set under Menu. Unit continuously scans until user stops scan by pressing a source control, SCA or MENU. Disc Scan also deactivates any active previously-active MIX or RPT modes.

Changer Reset

In unlikely case of CD changer trouble, reset CD changer by turning unit's power and/or ignition off, and then power on unit. (See TROUBLESHOOTING on page 23.)

Changer Track Program Memory (Skip/Play/Memory)

Allows you to play only those tracks you want to hear.

Programming a Disc

1. In CD changer mode, select CD disc you want to program.
2. During regular (non-TPM) play only, select track to be added to program.
3. Press and hold TPM for more than 2 seconds. "TPMSTORE" appears. The plus symbol (+) will appear in left-most character position of name display. This indicates the disc is programmed.
4. Select next selection to be programmed, using \ll and \gg buttons. Repeat step 3 as desired.
5. Select other discs as desired using \wedge / \vee controls and repeat steps 2-4 to program other discs.

Running Track Program

Press TPM to activate program. TPM appears. (If TPM pressed when no programming has been entered for disc currently in magazine, "NO PROG" appears.)

TPM Track Up/Down

To advance and go back within program, use << and >> buttons. (To access tracks that are skipped, you must exit TPM play mode.) Note: Pressing MIX or RPT within TPM play ends TPM play mode and starts MIX or RPT modes.

TPM Disc Up/Down

Press of \wedge or \vee during TPM play advances to next disc that has been programmed.

TPM Scan

Press TPM to start TPM play. Press SCA. Track No. and Elapsed Play Time blink during scanning operation. Programmed tracks will be scanned in order starting with first programmed track. Press SCA to end scan and listen to desired track.

Clearing Track Programming

To delete a single track:

1. First, press TPM to start TPM play.
2. Select track you want to delete from program
3. Press and hold TPM Button. Beep sounds after 2 seconds. When button released between 2 and 4 seconds "TPMCLEAR" appears and one track is deleted from program.

To delete ALL tracks from ONE Disc:

1. First, press TPM to start TPM play.
2. Select DISC you want to delete from program.
3. Press and hold TPM Button. Beep sounds at 2 seconds and 4 seconds. When button released between 4 and 8 seconds, "TPMCLEAR" appears and all tracks on that disc are deleted from program. When name re-appears, "+" programming symbol will no longer appear.

To delete ALL Track Programming from ALL Discs WHETHER OR NOT IN MAGAZINE:

1. First, press TPM to start TPM play.
2. Press and hold TPM Button. Beep sounds at 2 seconds, 4 seconds, and 8 seconds. When released after 8 seconds, "TPMCLEAR" appears and ALL programming on ALL discs is deleted. When name reappears "+" programming symbol will no longer appear.

Direct Software Control Menu

Blaupunkt's exclusive Direct Software Control Menu has many unique features that allow you to customize the unit to your needs and preferences. All Menu options (except timer and naming options) are available regardless of which source is in use: AM, FM, CD, CD Changer, Auxiliary.

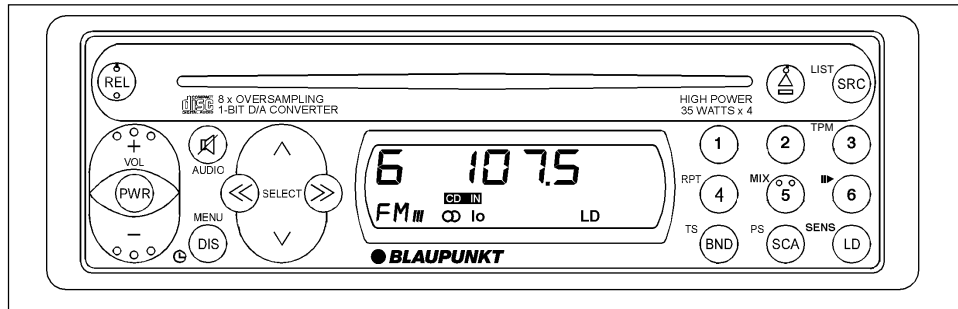
Using the Menu (See Traffic Safety & Precautions on page 4)

1. Press DIS/MENU for 2 seconds to enter Menu mode.
2. Press \wedge / \vee controls to scroll through Menu.
3. Use << or >> to change Menu setting (or to enter Turn-on Message Enter, Clock Adjustment Modes, Timer Set, Station Name Access/Edit, Disc Name Access/Edit Modes)
4. Exiting Menu: Press of DIS (or after 8 seconds). Unit exits from Menu. Changes are stored upon manual or automatic time-out of Menu or turn-off by PWR button — but not stored if exit caused by panel release or ignition off.

Turn-On Message Activation: ("MSG ON"/"MSG OFF") Press << or >> to turn message on or off.

Turn-On Message Programming: ("MSG ENTR") - The unit can scroll a 40-character message across the display at the time of turn-on. To create your own message:

1. Press >> button. Eight characters appear with the first one blinking.
2. Press \wedge / \vee to select desired characters. If you want to put a blank space in name, select "_".
3. Press << or >> to locate next character.



4. After eighth character (the farthest right character) is completed, first (left-most) character of next group of eight characters begins to flash. After fifth group of eight characters, pressing >> will access first group again.
5. Press Mute to store turn-on message and return to Menu.

Clock Adjustment ("CLOCKSET")

Pressing << or >> shows blinking time. Subsequent press of << advances the hour; >> advances the minutes. (To change minute indicator to nearest hour (:00), press Mute button). Unit begins keeping the time when ^ or V is pressed or when Menu mode ends.)

Tuner Timer Set Mode ("TMR SET")

1. Before entering Menu, tune in the radio frequency to be activated by timer.
2. Enter Menu mode and scroll to "TMR SET" by pressing ^ or V.
3. Press << or >> to enter timer adjustment mode.
4. Select time that unit should switch to this station by pressing << to adjust hours, >> to adjust minutes. Press Mute to adjust minutes to :00.
5. To store station and time, press ^ / V or DIS.

Tuner Timer On/Off ("TMR ON"/"TMR OFF")

Tuner timer allows unit to go to a certain frequency at a certain time — from any source. When ignition on and unit off, the timer even turns the unit on and goes to the specified frequency. Press << or >> to turn Tuner Timer on or off.

Scan Times

You can set different scan times for CD/CD Changer ("CD SCNTM") & Radio ("RD SCNTM") between 1 and 16 seconds. Press << or >> to adjust scan time.

Confirmation Beep On/Off ("BTTNBEEP")

To activate or defeat beep for all button presses, press << or >>. (Button presses requiring more than 1/2 second always have confirmation beep.)

Adjustable Mute Level ("MUTE LVL")

The unit's mute level can be adjusted to any volume level. This mute level also applies to cellular mute. During Menu mode, once "MUTE LVL" appears, actual mute level is heard. Adjust the mute level volume by using <</>, **NOT + and -**. (If mute is activated when unit volume level is lower than mute level, unit volume level is maintained, even though "MUTE" appears.)

Maximum Turn-On Volume Level ("MAXONVOL")

Sets maximum volume that is heard when unit is turned on. (Once "MAXONVOL" appears, actual MAXONVOL level is heard.) Adjust the MAXONVOL volume by using <</>, **NOT + and -**. If unit is turned off while volume is louder than MAXONVOL, turn-on volume will be at MAXONVOL level. However, if unit is turned off when volume level is lower than MAXONVOL, turn-on volume will be at level it was when unit was turned off.

Loudness Levels

You can choose between two loudness settings for each audio source: "LOUD AUX", "LOUD CD", (For CD Player and/or CD Changer) "LOUD AM", "LOUD FM". "LOUD 1" provides up to 8 dB boost in bass (centered at 60 Hz) and up to a 2 dB boost in treble (centered at 8 KHz). "LOUD 2" provides up to 12 dB boost in bass (centered at 60 Hz) and up to a 4 dB boost in treble (centered at 8 KHz). To set the loudness level for each source, use << and >>.

Radio Station Naming ("STN NAME")

Available only while radio is active source. One name per frequency, 8 characters per name. (Names can be assigned to any frequency, preset or not.) If you try to enter more than 30 names, "***FULL**" appears. You can then enter new names after erasing some of existing names.

To store station names:

1. Press DIS for more than 2 seconds to enter Menu mode.
2. Scroll to Radio Station Naming feature by pressing \wedge / \vee .
3. Enter Station Name Access mode by pressing << or >> button.
4. Tune to desired station using BND, presets or \wedge / \vee buttons. If previously named, name appears.
5. Press << or >> buttons to enter Station Name Edit mode. Eight "_" appear with first one blinking.
6. Press \wedge / \vee to select character. Select "_" for a blank space.
7. Press << or >> buttons to select next character position.
8. Press Mute to store name. Display blinks STORING twice before return to Station Access mode.
9. To name another station, repeat steps 4-8.
10. To return to Menu, press Mute again.

(There is no time-out from Station Name Access & Edit modes.)

Display Priority & Radio Station Names

(See Display Options on page 13)

Changing a Radio Station Name

Repeat steps 1 to 10 in Radio Station Naming, changing only those characters that you wish to change.

Erasing ONE Radio Station Name

Access Station Access mode (See Radio Station Naming, above.) Choose station with name to be deleted. When name appears, press Mute for 2 seconds. Beep sounds. Release now to delete this name. "NAME" and "DELETED" blink alternately.

Erasing ALL Radio Station Names

Access Station Access mode under Menu. When a name appears, press Mute (3) for 8 seconds. "ALLNAMES" appears for 2 seconds, then "DELETED" until deletion completed.

Disc Naming (DISCNAME)

Assigning a name to a disc makes it much easier to locate the desired disc in the changer. You can enter and store names of up to 99 discs (one name per disc, maximum of 7 characters per name). If you try to enter more than 99 names, "***FULL**" indication will appear. You can then enter new names after erasing some of existing names.

To name a disc:

1. Press DIS for more than 2 seconds to enter the Menu mode.
2. Scroll to Disc Naming function by pressing \wedge / \vee
3. Enter Disc Access mode by pressing << or >> button.
4. Select desired disc using the \wedge / \vee buttons. If previously named, name appears.
5. Press << or >> to enter Disc Name Edit Mode.
6. Press \wedge / \vee to select characters. Select "_" for a blank space.
7. Press << or >> buttons to select next character position.
8. Press Mute to store name. Display blinks "STORING" twice. Unit returns to Disc Access mode.
9. To name another disc, repeat steps 4-8.
10. Press Mute to return to Menu.

(There is no time-out from Disc Name Access & Edit modes.)

Display Priority & Disc Names: (See Display Options on page 13.)

Changing a Disc Name

Repeat steps 1 to 10 in Disc Naming, changing only those characters that you wish to change.

Erasing One Disc Name

Access Disc Access mode under Menu (See Disc Naming). Choose disc that has name to be deleted. When name appears, press Mute for 2 seconds. Beep sounds. Release now to delete the name. "NAME" and "DELETED" alternately blink.

Erasing ALL Disc Names

Warning: THIS FEATURE ERASES ALL NAMES AND ASSOCIATED TRACK PROGRAM MEMORY FOR ALL DISCS, INCLUDING DISCS NOT PRESENTLY IN MAGAZINE.

Access Disc Access mode under Menu. (See Disc Naming.) When a name appears, press Mute for 8 seconds. "ALLNAMES" appears for 2 seconds, then "DELETED" until deletion completed.

Wireless Remote Control

For added convenience you can control key features of your Blaupunkt 5 Series Receiver with either of two Blaupunkt wireless remote controls, the RC-06H (included with the Las Vegas CDM147) or the Thummer™.

The unique Thummer mounts to the inside of the steering wheel rim and allows you to control the receiver without taking your hand off the steering wheel. The RC-06H is a credit card-sized remote control. To receive wireless commands, your receiver is equipped with a built-in infrared sensor (or "eye") on the faceplate.

Both of remote controls have the following buttons: SRC, SCA, +/- Λ, V, << and >>. You can use them to activate all of the same features as you would using the corresponding buttons on front of the unit itself.

See your Blaupunkt dealer for details.



Troubleshooting Guide

The following check will assist in the correction of most problems which you may encounter with your unit. Before going through the check list below, refer back to the connection and operating procedures.

General

Trouble	Cause/Solution
No sound.	<ul style="list-style-type: none"> Adjust the volume with the + button. With a two-speaker system set the fader control to the center position.
Indications do not appear on the display window.	<ul style="list-style-type: none"> Remove the front panel and clean the connectors. See "Cleaning the Connectors" of "Maintenance" for details.

Radio reception

Trouble	Cause/Solution*
Preset stations are not receivable.	<ul style="list-style-type: none"> The broadcast is too weak.
Automatic tuning is not possible.	<ul style="list-style-type: none"> The broadcast is too weak. → Use manual tuning.
Travel Store feature does not complete storing of six stations.	<ul style="list-style-type: none"> Not enough broadcast frequencies are receivable.

* Also make sure that antenna is connected, extended and dry inside.

CD operation

Trouble	Cause/Solution
CD play does not start.	<ul style="list-style-type: none"> Dusty or defective disc. The ambient temperature is more than 50°C (120°F).
The disc cannot be loaded or is automatically ejected.	<ul style="list-style-type: none"> The disc is inserted with the printed side downwards.
The sound skips due to vibration.	<ul style="list-style-type: none"> The unit is installed at an angle of more than 20°. The unit is not installed on the sturdy part of a car. Dusty or defective disc.

Error Displays

Display	Cause	Solution
"CD ERROR"	A disc problem such as an upside down or dirty disc, or a CD-ROM (computer) disc.	Insert the disc correctly. Clean the disc.
"NO DISC"	No magazine or disc in changer	Take out the magazine and insert the discs.

If the above mentioned solutions do not help to improve the situation, consult your nearest **Blaupunkt** dealer or in the United States call 1-800-266-2528.



Bosch Group

**German Headquarters:
Blaupunkt-Werke GmbH
Postfach 77 77 77
D-31132 Hildesheim
Germany**

**Robert Bosch Corporation
Sales Group — Blaupunkt Division
2800 South 25th Avenue, Broadview, Illinois 60153
1-800-950-BLAU**

**Robert Bosch, SA., DE, C. V.
Dr. Lucio 270
Cols. Doctores, Mexico 06720**

**Made in Malaysia
Fabrique en Malasie
Hecho en Malasia
Fabricado en Malaysia**

Copyright 1997 by the Robert Bosch Corporation

**No portion of this work may be reproduced in any form without
the written consent of the Robert Bosch Corporation.**