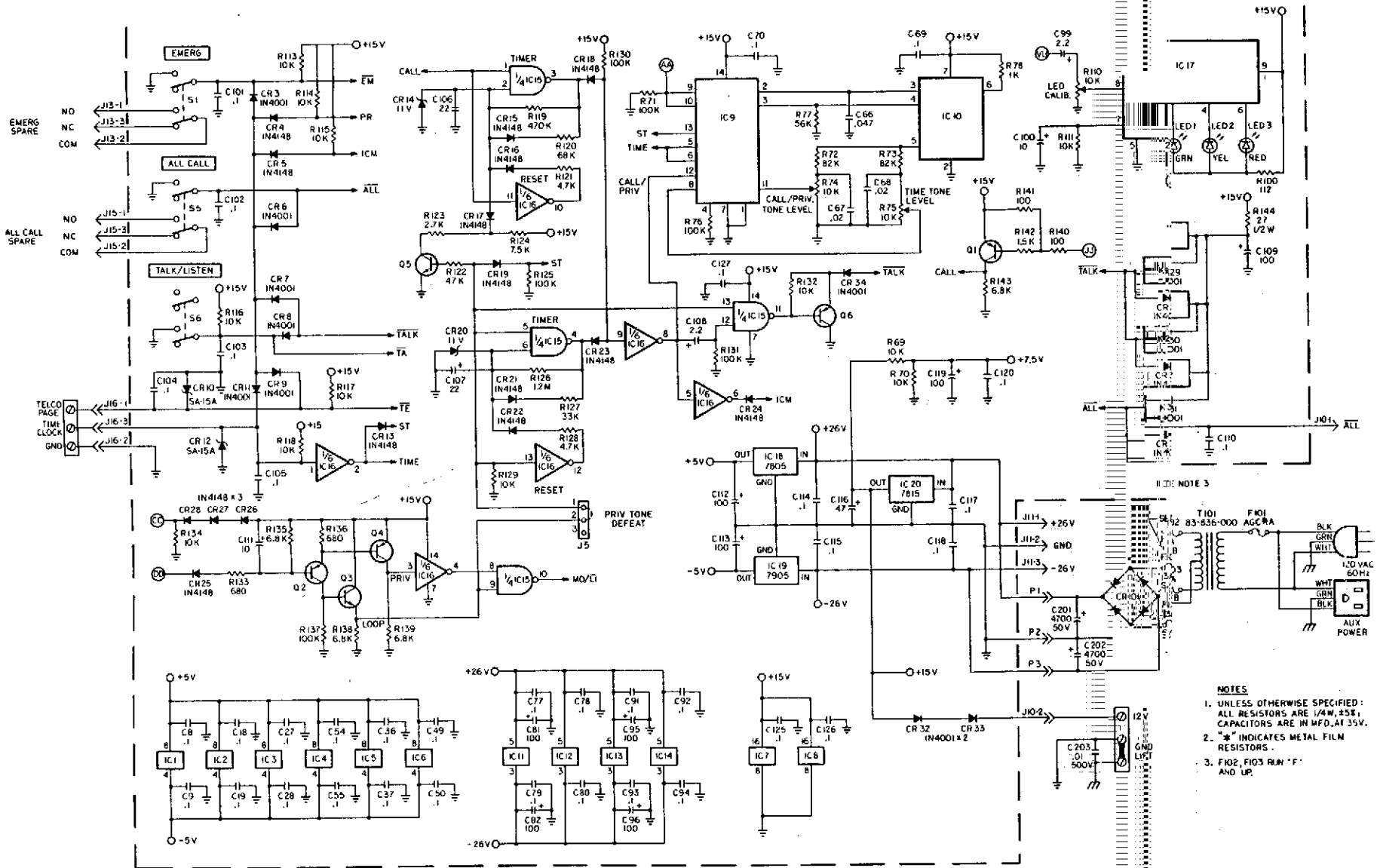


Figure 1SB — MCP35A Schematic Diagram, Sheet 2 of 2



- NOTES**
1. UNLESS OTHERWISE SPECIFIED: ALL RESISTORS ARE 1/4W, 5%
CAPACITORS ARE IN MFD, AT 35V.
 2. * INDICATES METAL FILM RESISTORS.
 3. F102, F103 RUN "F" AND UP.

Figure 15A - MCP35A Schematic Diagram, Sheet 1 of 2

