

BOGEN

ACCESSORY EQUIPMENT

MODEL MSK-1

MONITOR SPEAKER

DESCRIPTION

The Bogen Model MSK-1 accessory is a monitor speaker and volume control designed for mounting on a Bogen amplifier equipped with a speaker grille on the front panel. The MSK-1 accessory makes it possible to monitor the output level in installations where the speakers are located at a distance from the amplifier.

The MSK-1 may be installed directly into the Bogen M330A, M60A and M120 amplifiers, as described below. A five-pin plug, Bogen Part No. 85-0151-01, is supplied with the accessory for use in mounting the monitor speaker to the Bogen MTX30B, MX30A and MX60A amplifiers.

INSTALLATION

M330A, M60A, M120 AMPLIFIERS

To install the MSK-1 monitor speaker and volume control on the M330A, M60A or M120 amplifier, proceed as follows:

1. Remove the four corner screws from the bottom of the amplifier.
2. Remove the top cover enclosure to expose the amplifier chassis.
3. Remove the sheet metal screw from the bottom of the chassis. This screw is centered below the monitor speaker bezel bracket, which is located on the front panel.
4. Loosen the two nuts which hold the speaker bezel to the front panel and remove the bracket.
5. Remove the cardboard from behind the speaker grille.
6. Mount the MSK-1 monitor speaker on the bezel with four No. 6-32 nuts. Position the speaker as shown in figure 1 so that it will clear the amplifier chassis.

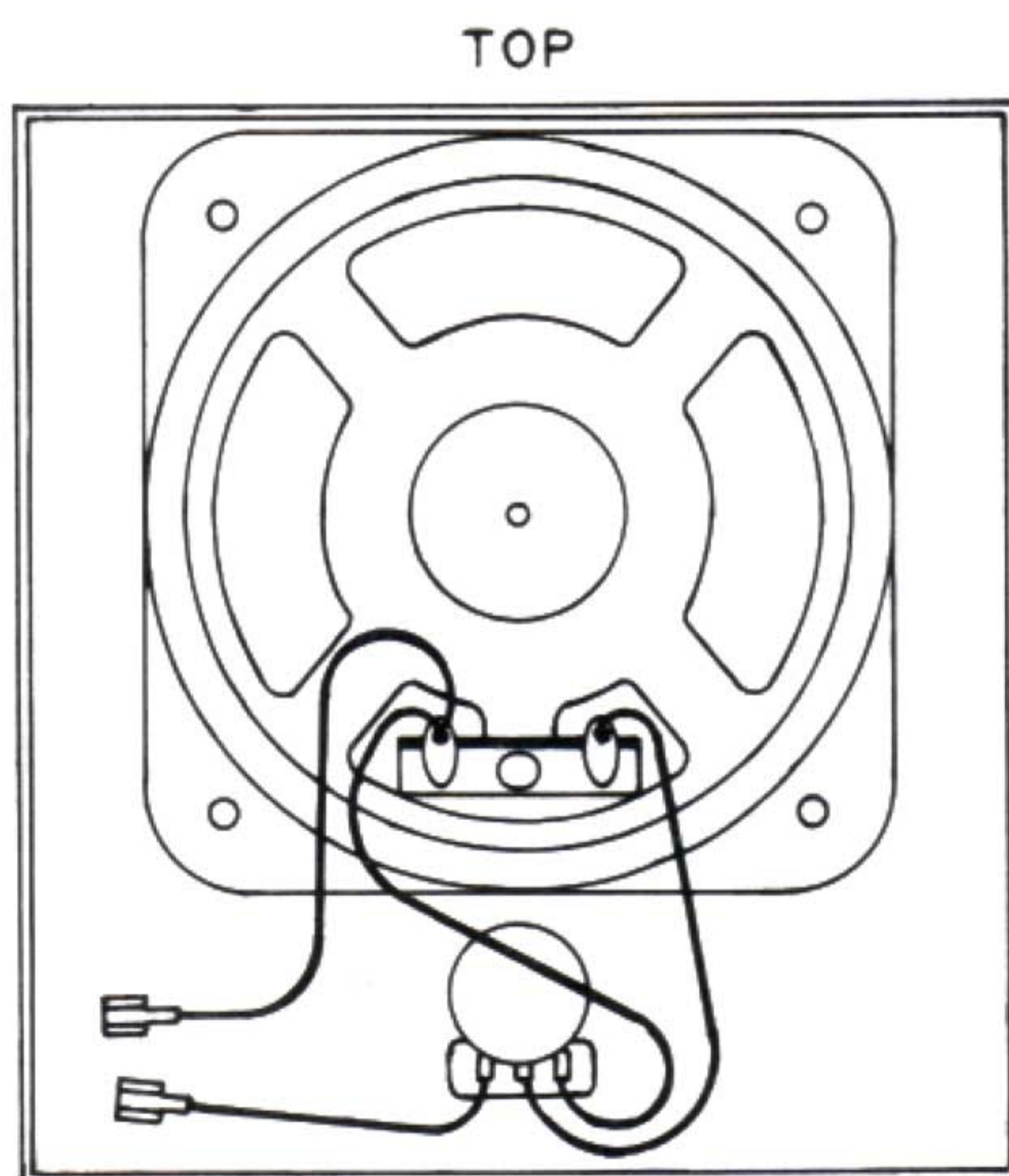


Figure 1 - Mounting MSK-1 Monitor Speaker

7. Push the plug button out of the hole beneath the speaker bezel, and mount the volume control on the front panel with the lock washer and nut provided.
8. Clip the push-on leads from the MSK-1 speaker to the accessory tie strip on the amplifier chassis, as shown in figure 2. Connect the green lead to the center lug of the tie strip. The black lead goes to the end lug to which the black wire from the amplifier is soldered.
9. Replace the amplifier in the enclosure.

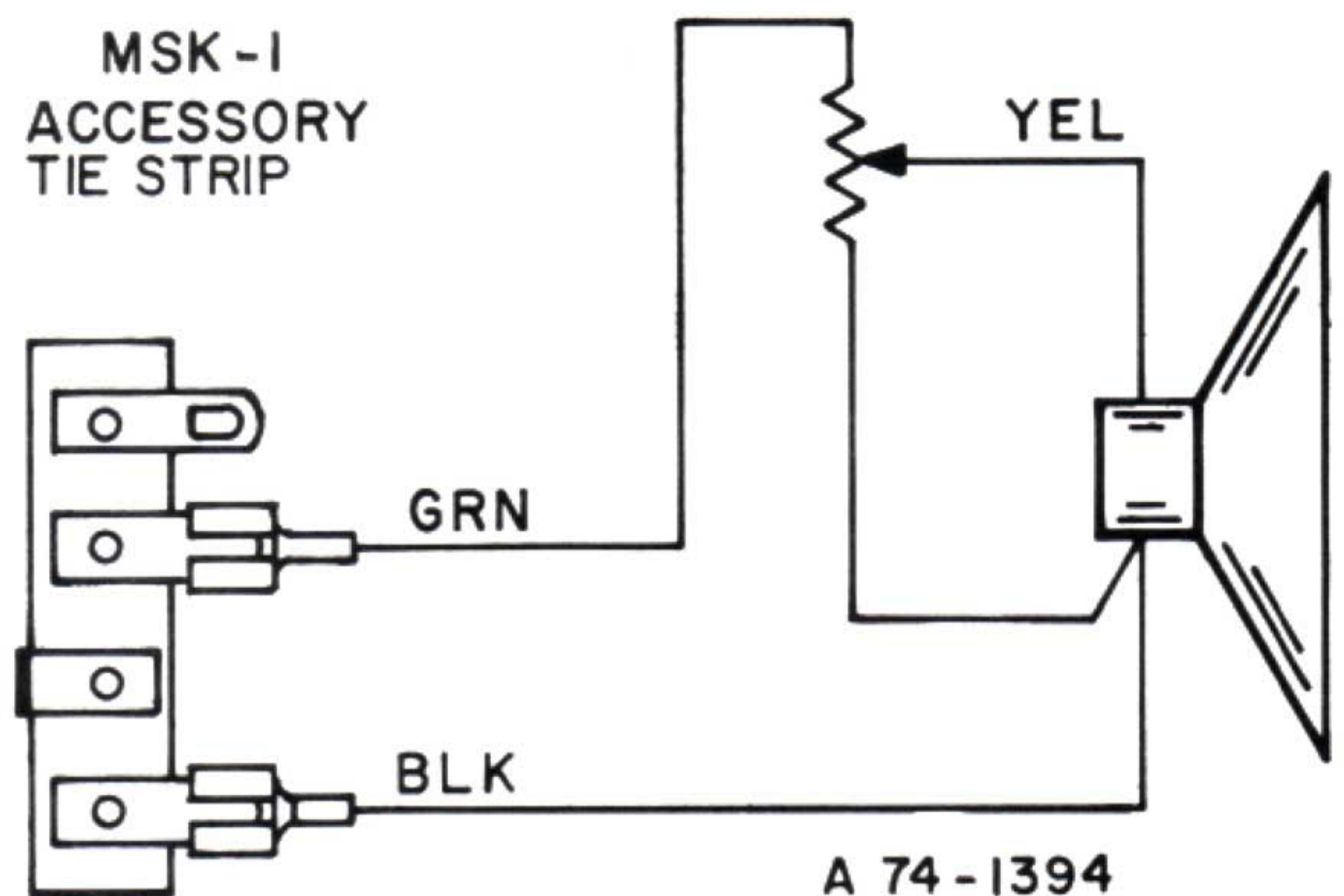


Figure 2 - Connecting MSK-1 Accessory to Tie Strip

MTX30B, MX30A AND MX60A AMPLIFIER

To install the MSK-1 accessory in the MTX30B, MX30A or MX60A amplifier, use the following procedure:

1. Remove the four thumb screws from sides of cage.
2. Remove four No. 6 screws holding cage on bottom and remove cage.
3. Remove the No. 6 sheet metal screw on bottom front right hand side, next to rubber foot.
4. Loosen the two No. 6 pal nuts holding the speaker panel in place and remove speaker panel.

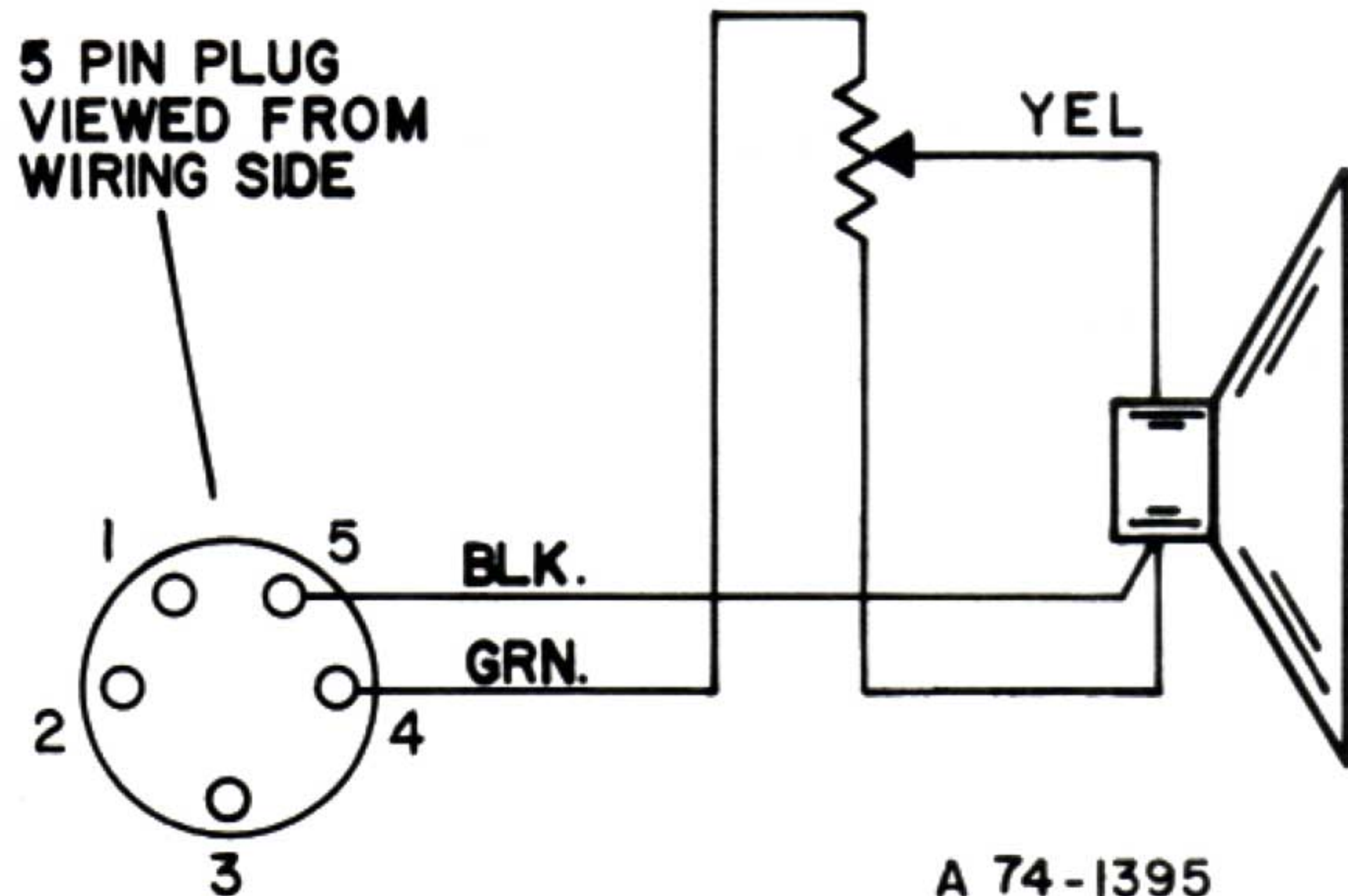


Figure 3 - Connecting MSK-1 Accessory to Five-Pin Plug

5. Remove the push-on fasteners from the MSK-1 leads, and connect the leads to the five-pin plug provided with the MSK-1 accessory, as shown in figure 3. Solder the green lead to pin 4 of the plug and the black lead to pin 5.

6. Remove the cardboard from behind the speaker grille and push the plug button out of the hole beneath the speaker bezel.

7. Mount the monitor speaker behind the bezel using four No. 6-32 nuts. Position the speaker as shown in figure 1 to enable it to clear the amplifier chassis.

8. Mount the volume control on the speaker panel with the lock washer and nut provided.

9. Replace speaker panel on amplifier front panel. Replace the two No. 6 pal nuts and tighten.

10. Place 5-pin plug into ACCESSORY socket on top of amplifier chassis and tighten securely.

11. Replace and tighten the No. 6 sheet metal screw on bottom front right-hand side, near the rubber foot.

12. Replace the cage and fasten with the four No. 6 sheet metal screws. Replace leather straps and four thumb screws.

OPERATION

Set the volume of the monitor speaker by adjusting the MSK-1 volume control. The output volume of the

amplifier is controlled as described in the instruction manual supplied with the amplifier.

REPLACEMENT PARTS

Part No.	Description
93-0016-01	Speaker, 45-ohm
77-001-569	Control, Volume

OWNER'S WARRANTY

Bogen solid state sound equipment is guaranteed against defects in material and workmanship for one year from the date of sale to the original purchaser, provided that the equipment has not been subjected to abuse or accident or altered in any way. Any part of the equipment covered by this warranty which, with normal installation and use, becomes defective will be repaired or replaced by Bogen, provided the equipment is delivered or shipped prepaid and insured to our authorized service station or to the Bogen Factory Service Department, Route 4 and Forest Avenue, Paramus, New Jersey 07652. The equipment may be picked up by you personally or will be returned to you freight prepaid.

Models containing vacuum tubes carry the same warranty as above, except that it does not apply to the vacuum tubes, which are guaranteed for 90 days.

The registration card enclosed with the equipment must be completed and mailed within five days of purchase to place the warranty in effect.