

RECORD CHANGER

PROVISIONAL SERVICE INFORMATION FOR THE

BSR C109



CES

COMBINED ELECTRONIC SERVICES LIMITED

604 PURLEY WAY · WADDON · CROYDON · CR9 4DR

TELEPHONES :

Spare part orders: 01-686 3831

General service enquiries: 01-688 7722

After business hours: Recorded messages on both lines

Telex 262308

NOVEMBER, 1969

(Please quote CES 759 when ordering further copies)

CES 759

MECHANICAL ADJUSTMENTS (See Fig. 1)

Pick-up dropping position

Load the changer with a stack of 7" records and set the record size selector to the 7" position. Adjust screw J so that the stylus drops approximately $\frac{1}{8}$ " from the edge of the record. When correctly set for a 7" record, the dropping position should also be correct for 10" and 12" records.

Pick-up arm height

With a stack of eight records on the turntable, the stylus should clear the top record by $\frac{1}{8}$ ". To raise the pick-up arm, turn adjusting screw K anticlockwise, to lower turn the screw clockwise. On some models screw K is accessible through a hole in the top of the pick-up arm; in these cases the adjustment is the reverse of that given above. After adjustment ensure that the pick-up arm clears the underside of a stack of records on the spindle.

Stylus pressure

The correct stylus pressure is 4-6gms. To adjust, reposition spring L in spring anchor slot M.

Stylus replacement

Lift the pick-up arm into the vertical position then twist forward the stylus selector tab and pull it up complete with stylus. Refit the new stylus assembly in the reverse order.

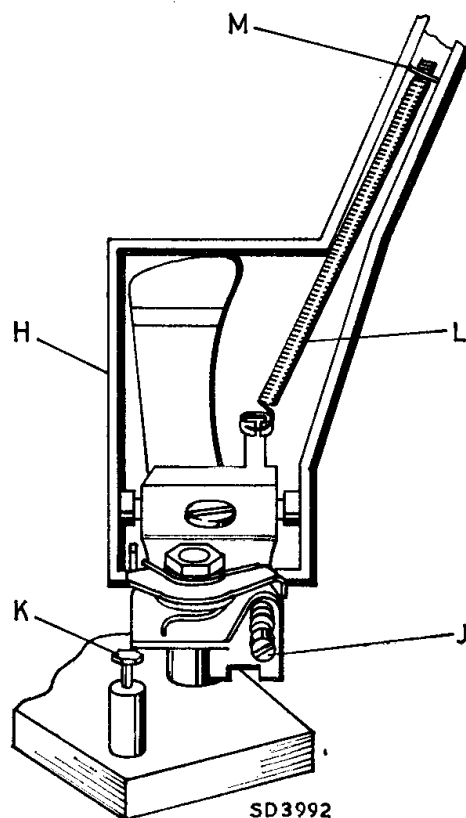
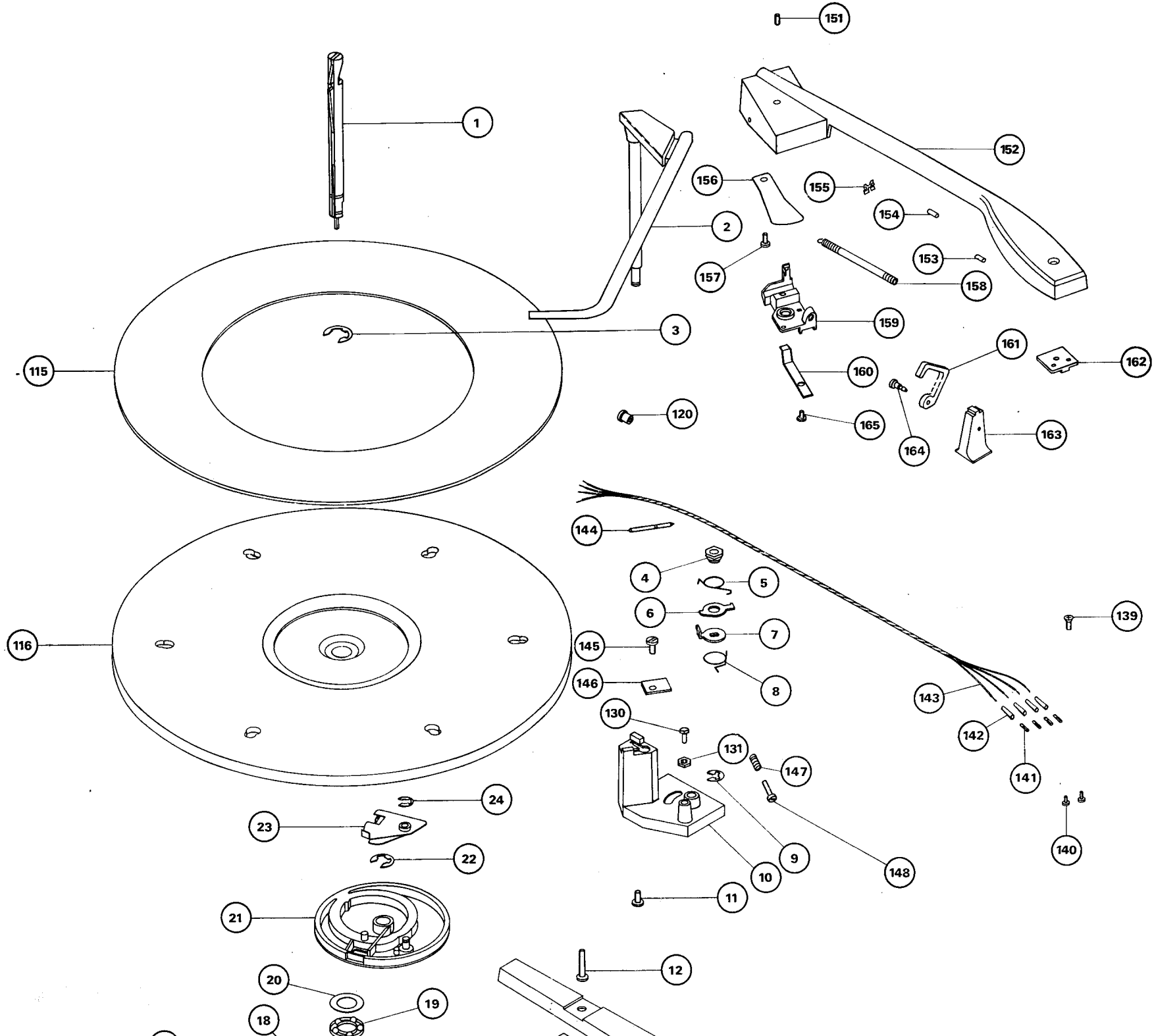
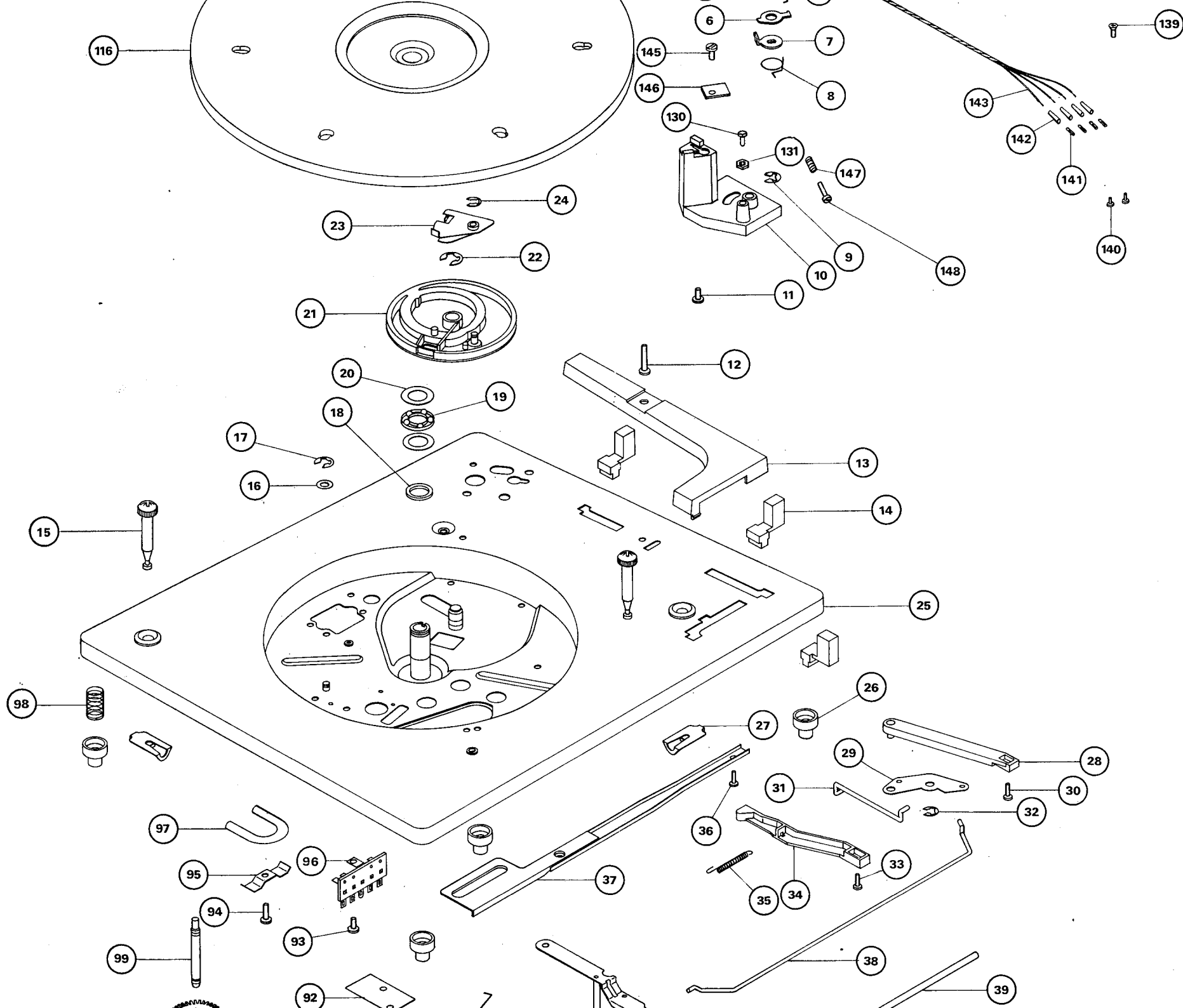
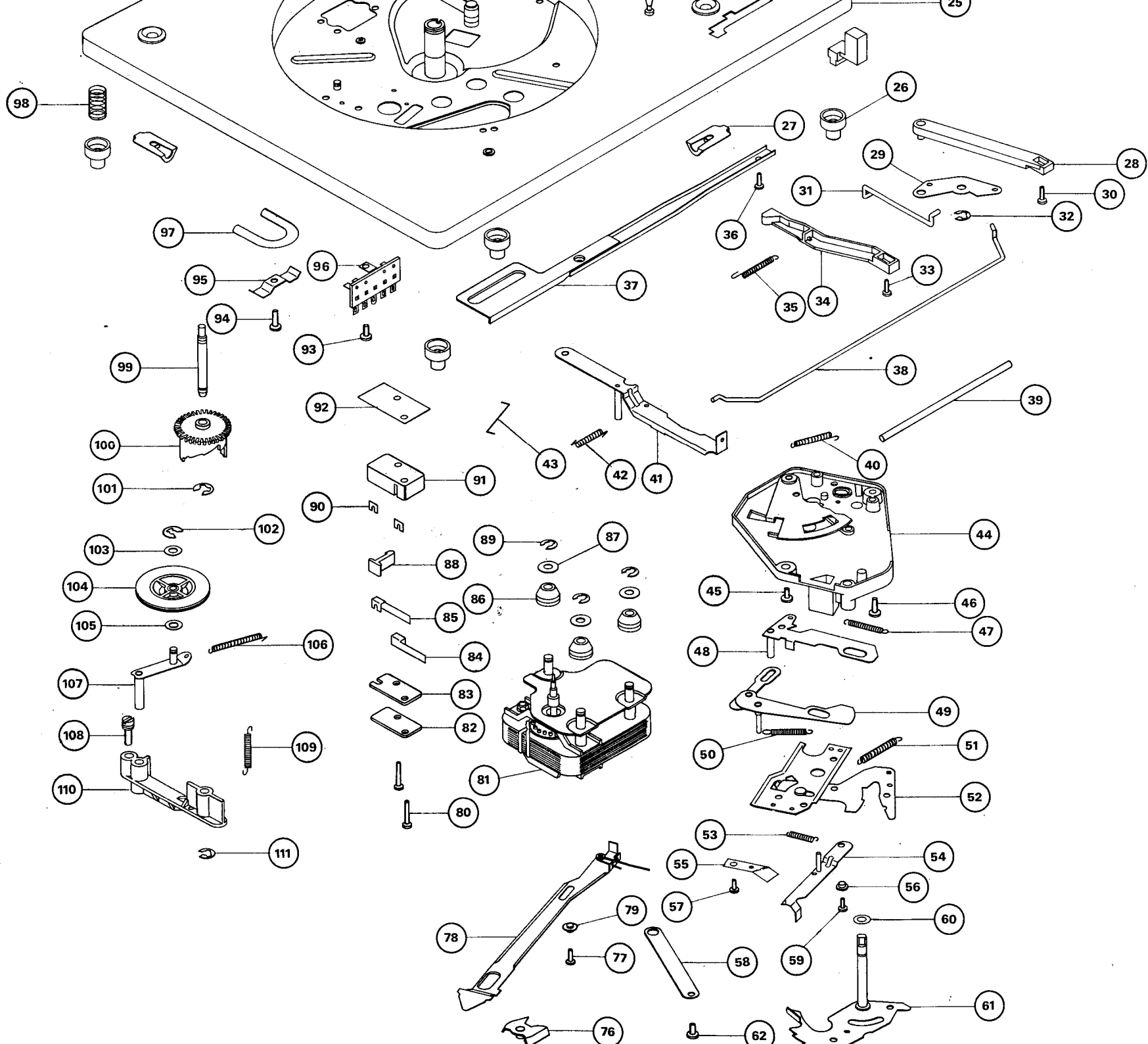


Fig. 1







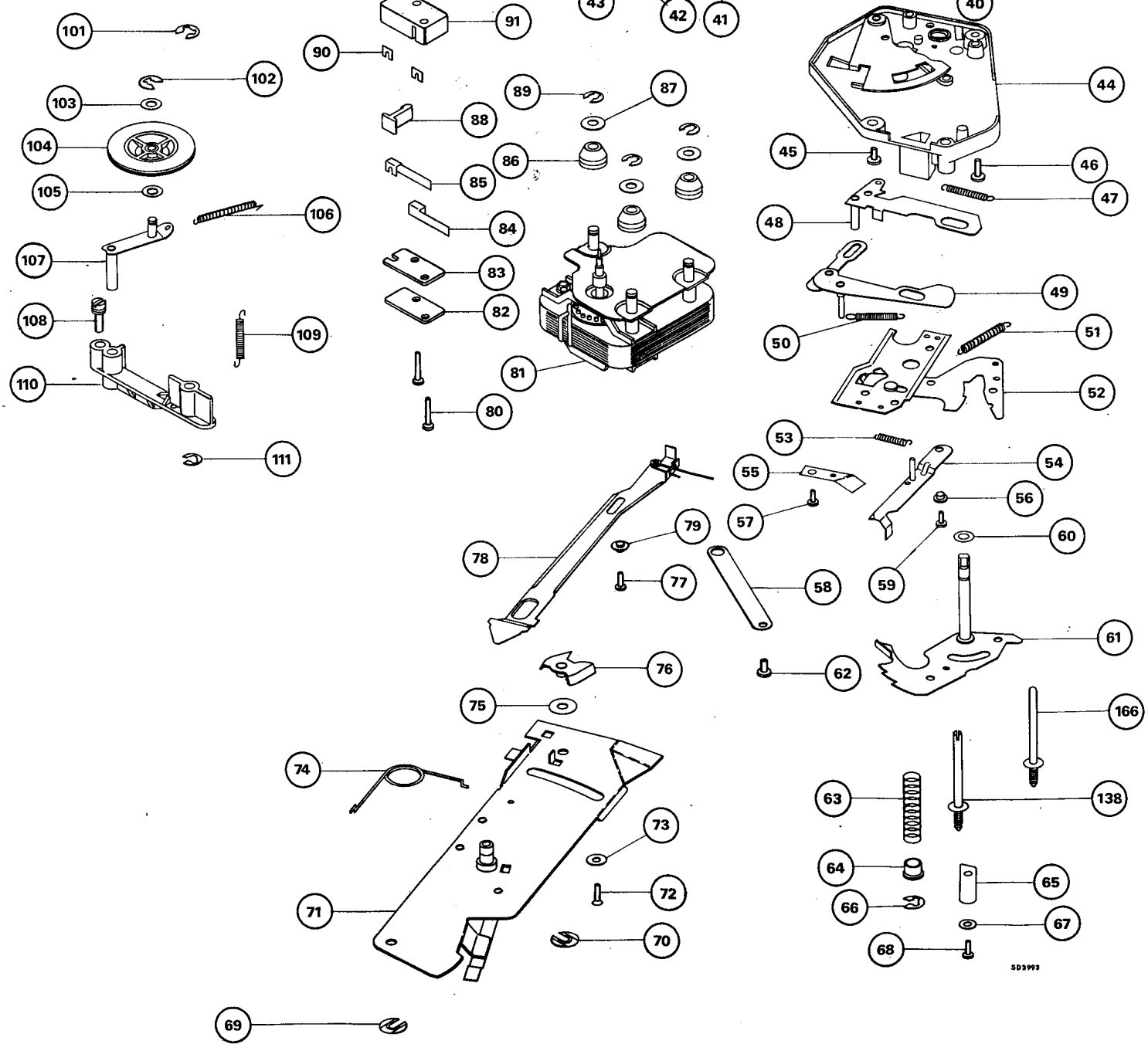


Fig. 2 Exploded view

5D3993

SPARE PARTS LIST

SUPPLY OF SPARE PARTS: To ensure correct interpretation of requirements please include the following information on orders for spare parts.

1. The full type number recorded on the type number plate, including any suffix. **Do not use the commercial abbreviation which may be misleading.**
2. Whenever possible, quote the serial number of the changer. In some models the components have been changed during production
3. **Always give a brief description** and colour where applicable.
4. Quote part number.

If it is necessary to return components, always include full identification on the accompanying advice note.

1	Centre spindle assembly	535.67002	70	Circlip for item 71	A.102108
2	Control arm assembly	402.17001	71	Operating plate assembly	B.104982
3	Circlip	A.105678	72	Screw	502.37017
4	P.U. spindle nut	A.104386	73	Washer	A.102237
5	Spring (P.U. overload)	A.102115	74	Operating plate spring	A.102624
6	Pick-up adjuster	A.102355	75	Fibre washer	A.102947 or A.102541
7	Pick-up overload plate	A.102354	76	Toggle assembly	A.104981
8	Spring (P.U. adjuster)	A.102360	77	Screw	502.37014
9	Circlip	A.102109	78	Actuating slide assembly	402.57006
10	Control housing	444.67007	79	Actuating slide spacer	A.104580
11	Screw for item 10	502.37025	80	Screw for item 90	502.37018
12	Screw for item 163	502.37026	82	Switch cover	462.77086
13	Control cover	444.67008	83	Switch cover	462.77087
14	Knob (3)	411.67004	84	Domed contact	278.97005
15	Transit screw (2)	A.104189	85	Flat contact	278.92006
16	Washer for item 15	A.102595	86	Rubber mounting (3)	A.102181
17	Circlip for item 15	A.102109	87	Motor mounting washer (3)	A.101646
18	Damping washer	A.102058	88	Switch dolly	462.77088
19	Ballrace	A.101649	89	Circlip fixing item 81 (3)	A.100762
20	Thrust washer	A.101506	90	Solder tag (2)	290.37005
21	Cam gear assembly	A.102133	91	Switch body	277.67004
22	Circlip for item 21	A.102110	92	Retaining strip	402.67002
23	Actuating pawl assembly	A.102132	93	Screw for item 96	502.27025
24	Circlip for item 23	A.100762	94	Screw for item 95	502.37015
25	Mainplate assembly	444.37003	95	Cable clamp	3113.101.60510
26	Spring cup (4)	532.27004	96	Tag strip	A.103536
27	Retaining clip (2)	A.102166	97	3" 5mm. P.V.C. sleeving	K558.LB/6 x 5
28	Reject slide	B.106119	98	Unit mounting spring (4)	492.57004
29	Reject plate	402.37001	99	Speed change spindle	535.67003
30	Screw for item 28	502.37014	100	Raising cam speed change	522.37003
31	Reject link	402.37002	101	Circlip for item 99	A.102109
32	Circlip for item 29	A.102109	102	Circlip for item 102	A.100762
33	Screw	502.37014	103	Jockey pulley spindle washer	A.101620
34	Selector slide	402.67005	104	Jockey pulley assembly	A.101623
35	Selector slide spring	492.37003	105	Jockey pulley spindle washer	A.101620
36	Screw for item 37	502.37014	106	Jockey pulley spring	A.105824
37	Speed change slide assembly	402.57001	107	Jockey arm assembly	A.105965
38	Switch link	402.57002	108	Adjusting screw	A.105619
39	4" 3mm. P.V.C. sleeving	K558.LB/4 x 3	109	Speed change arm spring	492.37006
40	Selector plate spring	492.37004	110	Speed change arm assembly	402.57007
41	Switch lever assembly	402.57003	111	Circlip for item 110	A.102109
42	Switch lever spring	A.105826	115	Turntable mat	466.57002
43	Retaining clip	A.104882	116	Turntable moulding	528.17005
44	Support casting assembly	464.57002	139	Screw countersunk for item 162	502.37019
45	Screw	502.37025	140	Screw for item 162 (2)	502.37021
46	Screw	502.37015	141	Tag (4)	A.102720
47	Control lever spring	A.102623	142	Sleeve (4)	A.104306
48	Control lever assembly	A.104609	143	23" 4-core pick-up lead	322.47001
49	Cut-off lever assembly	A.102625	144	Pick-up pivot pin	535.97015
50	Cut-off lever spring	A.102623	145	Screw	502.37022
51	Switch plate spring	A.102120	146	Clamping plate	A.102356
52	Retaining plate assembly	402.67006	147	Spring	492.57005
53	Latch spring	492.37005	148	Screw dropping position adjuster	A.102958
54	Latch assembly	402.57004	151	Grub screw pick-up height adjuster	503.37015
55	Loading spring	A.104172	152	Pick-up arm	D.105146
56	Spacer	532.17029	153	Securing rubber	A.103373
57	Screw for item 55	502.37016	154	Securing rubber	A.103373
58	Strap	402.57005	155	Spring anchor	492.67019
59	Screw	502.37016	156	Adjusting plate	A.104895
60	Washer	A.102595	157	Screw	502.37023
61	Quadrant assembly	B.104841	158	Pick-up balance spring	492.37007
62	Screw for item 58	502.37025	159	Pick-up hinge assembly	402.67008
63	Control spindle spring	A.105285	160	Restriction spring	A.104623
64	Spacer	A.104861	161	Pick up clip	A.104376
65	Leaf spring	A.104384	162	Adaptor plate	466.97029
66	Circlip	A.102109	163	Pick up rest	402.67009
67	Washer	532.17031	164	Pivot	A.104281
68	Screw for item 65	A.105267	165	Screw for item 160	502.37024
69	Circlip for item 71	A.102108	166	Pick up raising spindle assembly	535.87005