

# Trader

## SERVICE SHEET

Introduced in the middle of 1977, the BSR P182 is the record deck used in many music centres and audio units produced after August 1977. Intended primarily for the O.E.M. market, the P182 is not normally available as a separate unit.

It differs considerably from previous BSR OEM units in finish, appearance and fittings.

The P182 is a three-speed semi-automatic single player having a bevel-edged 10½-inch turntable driven from a synchronous motor via a three-diameter idler bearing on a vertical flange below the turntable top concentric with the outer diameter. The S-shaped tubular tonearm is gimbal-mounted, and a dampened cueing device is fitted. The cartridge headshell is plastic, secured to the tonearm by a locking screw which also acts as a return chassis connection. The BSR cartridge normally supplied is held by a single screw, but twin holes are provided in the headshell for the fitting of an alternative cartridge.

Turntable speed, record size selection and start/stop/auto controls are levers around the record deck edge.

Finish is matt black, with polished aluminium tonearm, and silver and white controls trim. Output connection to the audio amplifier is via two phono sockets on the deck underside.

The low overall height of the P182 allows it to be recessed into the audio unit deck top with reduced clearance for the dust cover, thereby allowing the unit to be included in low-profile cabinet music centres.

### Brief Specification

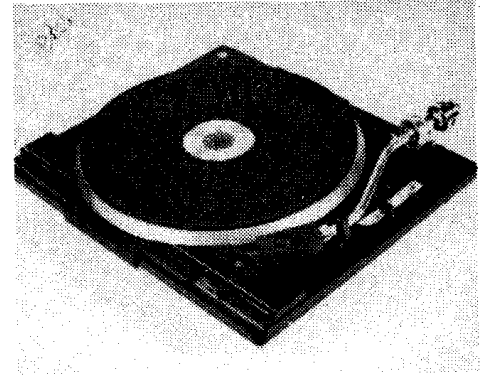
Power supply	240V 50Hz a.c. mains
Speeds	33½, 45 and 78 rpm
Turntable	10½in (267mm) alloy pressing, bevel-edged
Cartridge	
	(varies with equipment in which the P182 is installed; that quoted is BSR standard)
Stylus	BSR SC12H ceramic turnover LP/78
Tonearm	BSR ST16 (tracking force 3 to 5g) S-shaped tubular, with adjustable counter-weight, gimbal-mounted
Controls	On/off/auto, speed, record diameter (7, 10 and 12 inch)
Dimensions	Width: 13in (378mm) Depth: 13in (378mm), plus ½in (13mm) for tonearm rear end overhang Height above deck plate: 3½in (80mm) Height below deck plate: 3in (76mm)
Manufacturer	BSR Limited, Monarch Works, Cradley Heath, Warley, West Midlands. Cradley Heath 65191.

3289

# BSR

# P182

Record deck



### Setting-up Adjustments

(see controls and adjustment illustrations)

#### Stylus pressure

The position of the counterweight (3) can be preset for the cartridge in use after setting the counterweight stop (2). Hence if the stop has not been disturbed and the same cartridge as supplied with the unit is being refitted or replaced, all that is necessary is to slide the counterweight up to the stop and tighten the locking screw.

If however, a different cartridge is to be fitted, or the counterweight stop has been unlocked or moved, then proceed as follows:

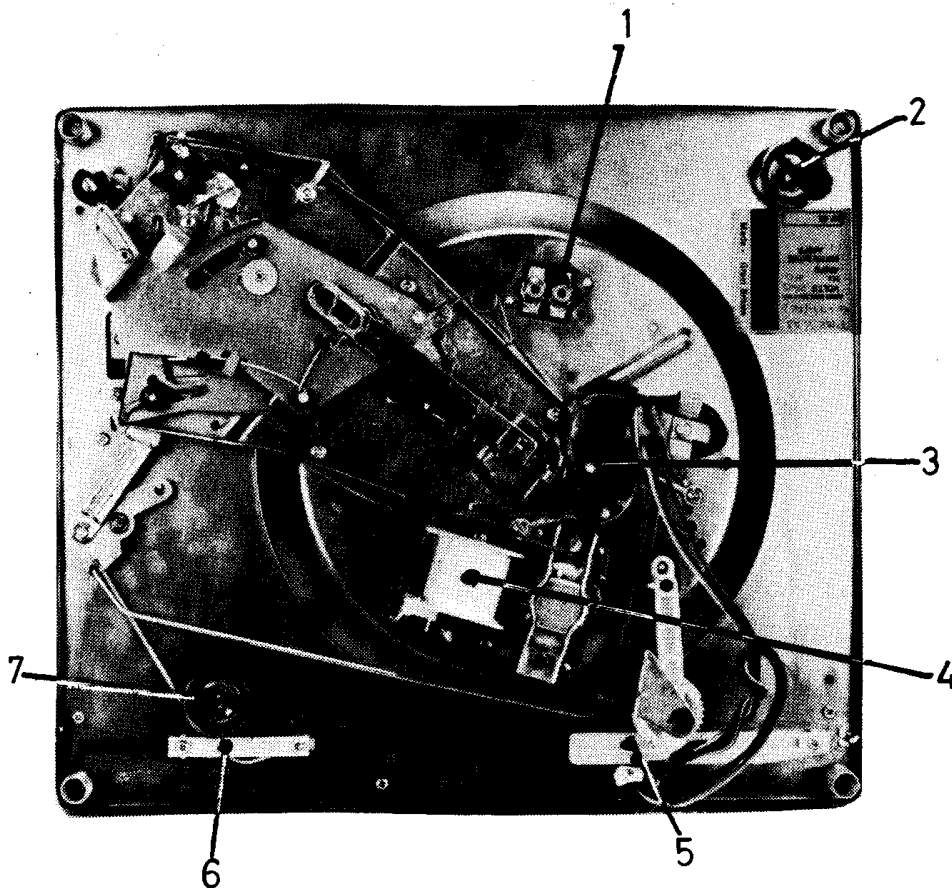
Accurate stylus pressure setting can only be carried out using a calibrated stylus balance gauge, because no calibration is provided on the tonearm (1) or the counterweight.

First slacken both the counterweight and counterweight stop locking screws, and then adjust both together along the tonearm rear extension, until, with the cueing device (6) inoperative and the tonearm (6) clear of its rest, it just balances at the required pressure as indicated on the gauge. Then tighten both locking screws.

#### Stylus set-down

This should be set so that, when on "automatic" operation, the stylus sets down ⅛in in from the rim of the record. If this is set correctly for a 12-inch record, then the correct set-down positions for 10-inch and 7-inch records will automatically follow.

1. Pick-up output (phono sockets)
2. Deck board mounting clip and transit screw
3. Switch
4. Motor
5. Start/stop/auto control
6. Speed selector
7. Deck board mounting clip and transit screw



Underside view

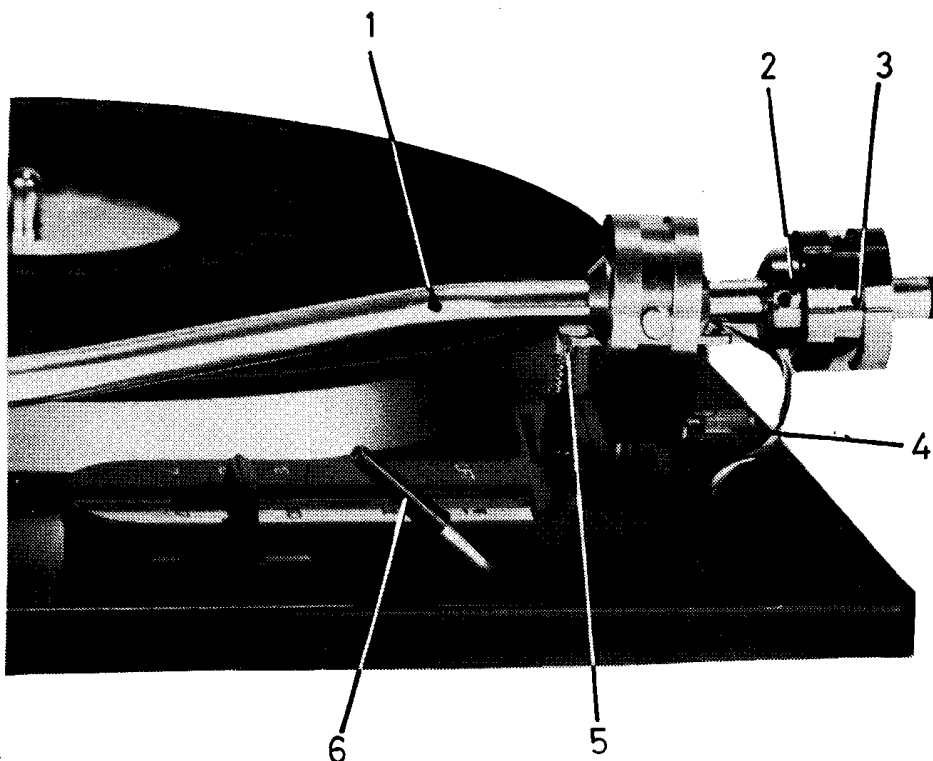
Check by manually operating the turntable as follows:

- (1) Place a 12-inch record on the turntable.
- (2) Select "AUTO."
- (3) Rotate the turntable by hand until the tonearm moves over the record and sets down. Check the set-down position, and adjust it by means of the set-down screw (4), turning this clockwise to bring the position further outward, anti-clockwise to move it inward.

**Tonearm height**

The underside of the tonearm should clear the top of the tonearm rest by 1/16in when the arm is returning to the rest after playing a record. To adjust, proceed as follows:

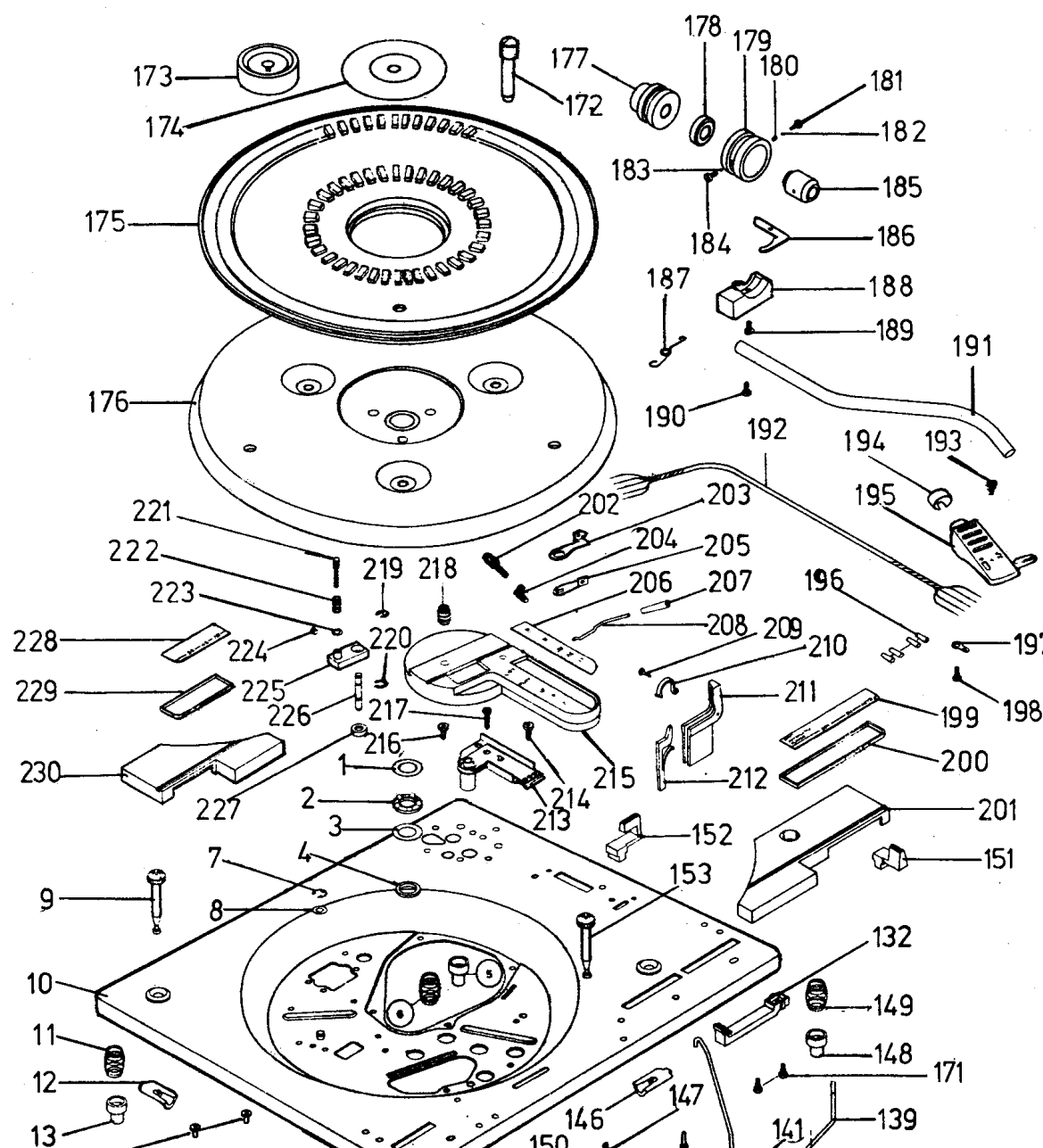
- (1) Check that the cueing lever is in the inoperative position.
- (2) Place a 12-inch record on the turntable, select "AUTO", and rotate the turntable by hand until the stylus sets down the record.
- (3) Lift the tonearm and set it down on the run-out groove of the record.
- (4) Continue turning the turntable until the tonearm lifts and returns towards the rest. Stop over the rest and check the clearance.
- (5) Adjust the tonearm height screw (5) to give the 1/16in clearance (turn it clockwise to reduce, anti-clockwise to increase the clearance).



Adjustments →

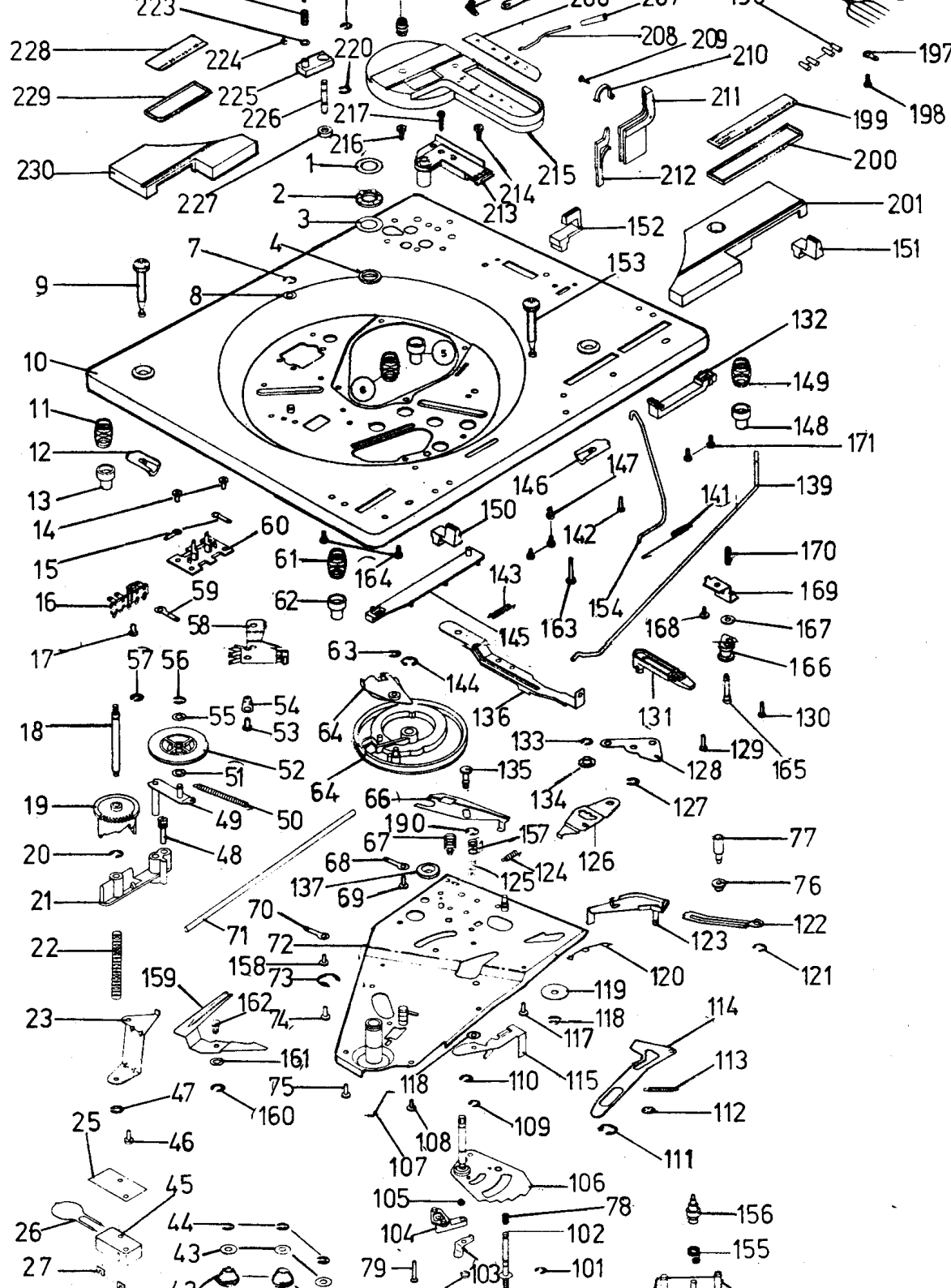
**PARTS LIST**

- 1 Thrust Washer
- 2 Ballrace
- 3 Thrust Washer
- 4 Damping Rubber
- 5 Spring Cup
- 6 Unit Mounting Spring
- 7 Circlip
- 8 Washer
- 9 Transit Screw
- 10 Mainplate Sub-Assembly
- 11 Unit Mounting Spring
- 12 Retaining Clip
- 13 Spring Cup
- 14 Screw type B No. 6
- 15 Solder Tag
- 16 Tag Mounting Strip
- 17 Screw type B No. 6
- 18 Raising Spindle
- 19 Raising Cam
- 20 Circlip
- 21 Speed Change Arm
- 22 Raising Spindle Spring
- 23 Speed Change Bracket
- 25 Retaining Strip
- 26 Capacitor
- 27 Solder Tag
- 28 Switch Dolly
- 29 Flat Contact
- 30 Domed Contact
- 31 Switch Cover
- 32 Switch Cover
- 33 Screw type BT 4-24 x 16
- 34 Screw type BT 6-20 x 9.5
- 35 Cable Clamp
- 36 76mm - 5mm P.V.C. Sleeveing
- 37 4B. A. Tag Lockwasher
- 38 Molex Plug
- 39 Insulating Strip
- 40 Switch Cover
- 41 Two Pole Motor Assembly
- 42 Rubber Mounting
- 43 Motor Mounting Washer
- 44 Circlip
- 45 Switch Body
- 46 Screw type B No. 6 Hd.
- 47 Circlip
- 48 Adjusting Screw
- 49 Jockey Arm Riveting Assembly
- 50 Jockey Pulley Spring
- 51 J. P. Spindle Washer
- 52 Jockey Pulley Assembly
- 53 Screw type B No. 6
- 54 4B. A. Tag Lockwasher
- 55 J. P. Spindle Washer
- 56 Circlip
- 57 Circlip
- 58 Muting Switch Assembly
- 59 Solder Tag
- 60 Phono Socket
- 61 Unit Mounting Spring
- 62 Spring Cup
- 63 Circlip
- 64 Actuating Pawl Assembly
- 65 Cam Gear Riveting Assembly
- 66 Cut-Off Slide
- 67 Cut-Off Spring



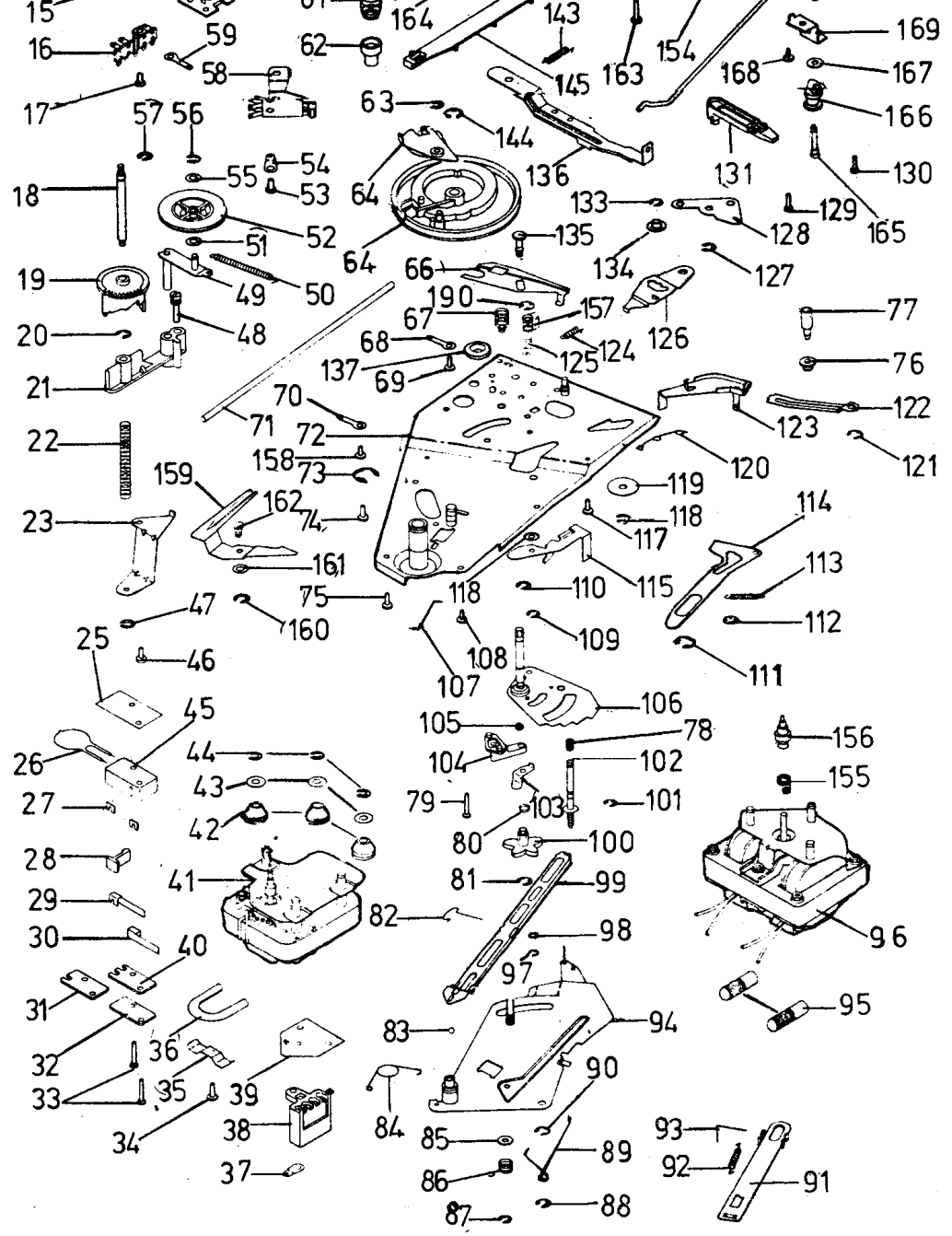
- 117 Screw type B No. 6
- 118 Circlip
- 119 Control Washer
- 120 Detent Spring
- 121 Circlip
- 122 Reject Link
- 123 Reject Lever Assembly
- 124 Detent Plate Spring
- 125 Selector Pivot
- 126 Detent Plate
- 127 Circlip
- 128 Reject Plate Assembly
- 129 Screw type BT4-24
- 130 Screw type BT4-24
- 131 Selector Slide
- 132 Reject Slide
- 133 Circlip
- 134 Roller
- 135 Slide Pin
- 136 Switch Lever
- 137 Screw Escutcheon
- 138
- 139 Switch Link
- 140
- 141 Anti-Skate Spring
- 142 Screw type BT 4-24
- 143 Switch Lever Spring
- 144 Circlip
- 145 Speed Change Slide
- 146 Retaining Clip
- 147 Screw type BT 4-24
- 148 Spring Cup
- 149 Unit Mounting Spring
- 150 Knob
- 151 Knob
- 152 Size Selector Knob
- 153 Transit Screw
- 154 Reject Wire
- 155 Drive Spring
- 156 50Hz Motor Pulley
- 156 60Hz Motor Pulley
- 157 Selector Pivot Spring
- 158 Screw type B No. 6 x
- 159 Reset Lever
- 160 Circlip
- 161 Washer
- 162 Selector Pivot
- 163 Screw type BT 6-20
- 164 Screw type BT 4-24
- 165 Spring Anchor Pivot
- 166 Spring Anchor
- 167 Friction Washer
- 168 Screw type B No. 6
- 169 Anti-Skate Bracket
- 170 Spring
- 171 Screw type BY 4-24
- 172 Stub Spindle
- 173 T.T. Adaptor
- 174 T.T. Centre Disc
- 175 T.T. Mat
- 176 T.T. Assembly
- 177 P.U. Weight Assembly
- 178 Weight Stop Assembly
- 179 Hinge Ring

- 36 76mm - 5mm P.V.C. Sleeving
- 37 4B. A. Tag Lockwasher
- 38 Molex Plug
- 39 Insulating Strip
- 40 Switch Cover
- 41 Two Pole Motor Assembly
- 42 Rubber Mounting
- 43 Motor Mounting Washer
- 44 Circlip
- 45 Switch Body
- 46 Screw type B No. 6 Hd.
- 47 Circlip
- 48 Adjusting Screw
- 49 Jockey Arm Riveting Assembly
- 50 Jockey Pulley Spring
- 51 J.P. Spindle Washer
- 52 Jockey Pulley Assembly
- 53 Screw type B No. 6
- 54 4B. A. Tag Lockwasher
- 55 J.P. Spindle Washer
- 56 Circlip
- 57 Circlip
- 58 Muting Switch Assembly
- 59 Solder Tag
- 60 Phono Socket
- 61 Unit Mounting Spring
- 62 Spring Cup
- 63 Circlip
- 64 Actuating Pawl Assembly
- 65 Cam Gear Riveting Assembly
- 66 Cut-Off Slide
- 67 Cut-Off Slide Spring
- 68 Solder Tag
- 69 Screw No. 8 x 13 Hi-Lo
- 70 Solder Tag
- 71 178mm - 3 mm P.V.C. Sleeving
- 72 Main Sub Plate Riveting Assembly
- 73 Circlip
- 74 Screw type B No. 6
- 75 Screw type B No. 6
- 76 Bush
- 77 Cut-Off Slide Pin
- 78 Spring
- 79 Screw type BT 4-24
- 80 Spring Clip
- 81 Circlip
- 82 Actuating Slide Spring
- 83 9/64" Dia. Ball Bearing
- 84 Operating Plate Spring
- 85 Washer
- 86 Spring
- 87 Circlip
- 88 Circlip
- 89 Selector Drive Spring
- 90 Circlip
- 91 Feed Lever Link
- 92 Link Return Spring
- 93 Feed Lever Link Spring
- 94 Operating Plate Assembly
- 95 'Screw On' Connector
- 96 Four Pole Motor Assembly
- 97 Circlip
- 98 Washer
- 99 Actuating Slide
- 100 Toggle Wheel
- 101 Circlip
- 102 P.U. Raising Spindle Assembly
- 103 Support Spring
- 104 Support Bracket
- 105 3/32" Dia. Ball Bearing
- 106 Quadrant Assembly
- 107 Retaining Clip
- 108 Screw type B No. 6
- 109 Circlip
- 110 Circlip
- 111 Circlip
- 112 Retainer
- 113 Cut-Off Lever Spring
- 114 Cut-Off Lever



- 151 Knob
- 152 Knob
- 153 Size Selector Knob
- 154 Transit Screw
- 155 Reject Wire
- 156 Drive Spring
- 157 50Hz Motor Pulley
- 158 60Hz Motor Pulley
- 159 Selector Pivot Spring
- 160 Screw type B No. 6 x
- 161 Reset Lever
- 162 Circlip
- 163 Washer
- 164 Selector Pivot
- 165 Screw type BT 6-20
- 166 Screw type BT 4-24
- 167 Spring Anchor Pivot
- 168 Spring Anchor
- 169 Friction Washer
- 170 Screw type B No. 6
- 171 Anti-Skate Bracket
- 172 Spring
- 173 Screw type BY 4-24
- 174 Stub Spindle
- 175 T.T. Adaptor
- 176 T.T. Centre Disc
- 177 T.T. Mat
- 178 T.T. Assembly
- 179 P.U. Weight Assembly
- 180 Weight Stop Assembly
- 181 Hinge Ring
- 182 Spring
- 183 Pivot Screw
- 184 Steel Ball 01.58
- 185 Steel Ball 01.58
- 186 Pivot Screw
- 187 Tube Holder
- 188 Raising Plate
- 189 Spring
- 190 P.U. Body Assembly
- 191 Screw 1SO M3 x 6 Ch. Hd.
- 192 Screw type A No. 4
- 193 P.U. Tube
- 194 Quin P.U. Lead (508mm)
- 195 Screw type 6 B.A. x 1/4"
- 196 P.U. Trim
- 197 P.U. Head
- 198 Sleeve (4 off)
- 199 Solder Tag
- 200 Screw type A No. 4
- 201 Control Trim
- 202 Escutcheon
- 203 Control Cover
- 204 Adjusting Screw
- 205 Overload Plate
- 206 Spring
- 207 P.U. Adjuster
- 208 Selector Trim
- 209 Cue Knob
- 210 Raising Arm
- 211 P.U. Clip Pivot Pin
- 212 P.U. Clip
- 213 P.U. Rest
- 214 P.U. CLIP
- 215 Cue Bracket Riveting Assembly
- 216 Screw type B No. 6
- 217 Control Housing
- 218 Screw type B No. 6
- 219 Screw Taptite 4-40
- 220 P.U. Spindle Nut
- 221 Circlip
- 222 Position Adjusting Screw
- 223 Spring
- 224 Thrust Washer
- 225 Grub Screw 6 B.A. x 3.2
- 226 Raising Pad
- 227 Plunger
- 228 Snacer
- 229 Snacer

- 70 Solder Tag
- 71 178mm - 3 mm P.V.C. Sleaving
- 72 Main Sub Plate Riveting Assembly
- 73 Circlip
- 74 Screw type B No. 6
- 75 Screw type B No. 6
- 76 Bush
- 77 Cut-Off Slide Pin
- 78 Spring
- 79 Screw type BT 4-24
- 80 Spring Clip
- 81 Circlip
- 82 Actuating Slide Spring
- 83 9/64" Dia. Ball Bearing
- 84 Operating Plate Spring
- 85 Washer
- 86 Spring
- 87 Circlip
- 88 Circlip
- 89 Selector Drive Spring
- 90 Circlip
- 91 Feed Lever Link
- 92 Link Return Spring
- 93 Feed Lever Link Spring
- 94 Operating Plate Assembly
- 95 'Screw On' Connector
- 96 Four Pole Motor Assembly
- 97 Circlip
- 98 Washer
- 99 Actuating Slide
- 100 Toggle Wheel
- 101 Circlip
- 102 P.U. Raising Spindle Assembly
- 103 Support Spring
- 104 Support Bracket
- 105 3/32" Dia. Ball Bearing
- 106 Quadrant Assembly
- 107 Retaining Clip
- 108 Screw type B No. 6
- 109 Circlip
- 110 Circlip
- 111 Circlip
- 112 Retainer
- 113 Cut-Off Lever Spring
- 114 Cut-Off Lever
- 115 Selector Lever
- 116 Washer



- 117 Solder Tag
- 118 Pivot Screw
- 119 Tube Holder
- 120 Raising Plate
- 121 Spring
- 122 P.U. Body Assembly
- 123 Screw ISO M3 x 6 Ch. Hd.
- 124 Screw type A No. 4
- 125 P.U. Tube
- 126 Quin P.U. Lead (508mm)
- 127 Screw type 6 B.A. x 1/4"
- 128 P.U. Trim
- 129 P.U. Head
- 130 Sleeve (4 off)
- 131 Solder Tag
- 132 Screw type A No. 4
- 133 Control Trim
- 134 Escutcheon
- 135 Control Cover
- 136 Adjusting Screw
- 137 Overload Plate
- 138 Spring
- 139 P.U. Adjuster
- 140 Selector Trim
- 141 Cue Knob
- 142 Raising Arm
- 143 P.U. Clip Pivot Pin
- 144 P.U. Clip
- 145 P.U. Rest
- 146 P.U. Clip
- 147 Cue Bracket Riveting Assembly
- 148 Screw type B No. 6
- 149 Control Housing
- 150 Screw type B No. 6
- 151 Screw Taptite 4-40
- 152 P.U. Spindle Nut
- 153 Circlip
- 154 Circlip
- 155 Position Adjusting Screw
- 156 Spring
- 157 Thrust Washer
- 158 Grub Screw 6 B.A. x 3.2
- 159 Raising Pad
- 160 Plunger
- 161 Spacer
- 162 Speed Change Trim
- 163 Escutcheon
- 164 Control Cover (Speed Change)