

CAPACITORS		
MEM	VALUE	PART NO.
C1	CA	4.7 uF
	CB	4.7 uF
	CC	4.7 uF
	CD	10 uF
C2	CE	4.7 uF
	CF	4.7 uF
C3	CG	1.5 uF
	CH	1.5 uF
C4	CI	4.7 uF
	CJ	4.7 uF
	CK	4.7 uF

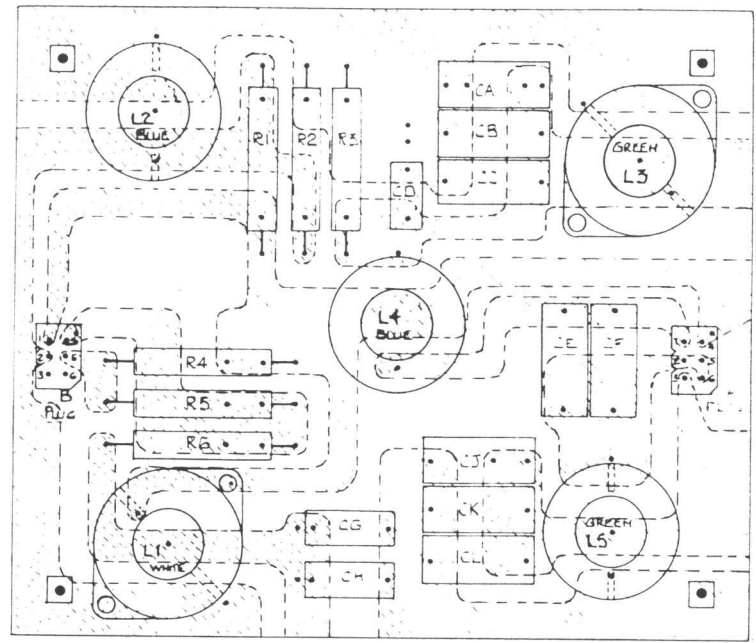
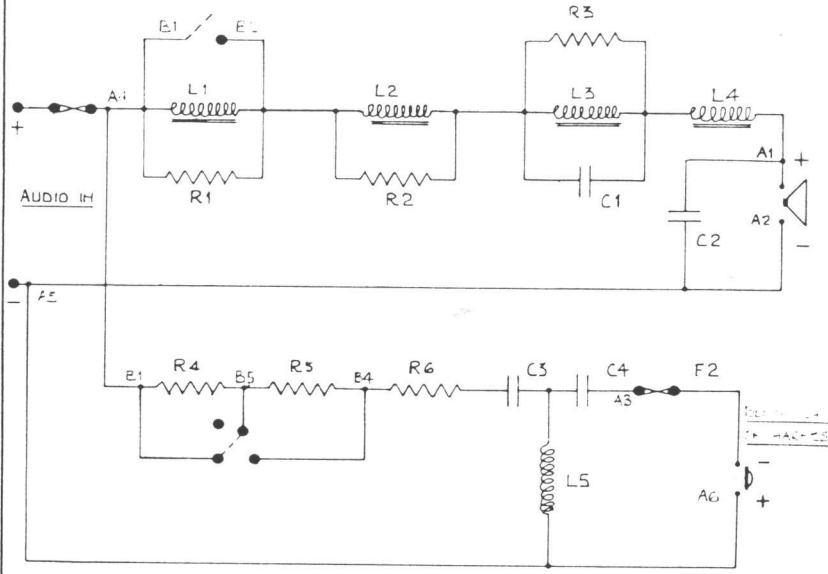
INDUCTORS			
MEM	COLOR	FORMER	VALUE PART NO.
L1	WHITE	DOUBLE CORED	2.5 mH
L2	BLUE	SINGLE "	0.5 mH
L3	GREEN	DOUBLE "	1.5 mH
L4	BLUE	SINGLE "	0.5 mH
L5	GREEN	SINGLE NOT CORED	0.3 mH

NOTE: CAPACITY VALUE OBTAINED BY PARALLILING COMPONENTS AS AVAILABLE

RESISTORS		
MEM	VALUE	PART NO.
R1	3.0 Ω	
R2	4.0 Ω	
R3	15.0 Ω	
R4	4.0 Ω	
R5	3.3 Ω	
R6	3.3 Ω	

Do not scale.
Third angle projection.

SYSTEM FUSE = 2.0 AMP
HF FUSE = 0.5 AMP
SWITCH = 4 PULL 5 WAY



DRG.No.

180

212

PCB PART NO: 10012-02S. MATERIAL: SRSP 0.5mm thick, 1oz Cu

HARNESSES PART NO: 17049-04B.

Copyright 1977

All dimensions in millimetres

Title:- DM7 CROSSOVER MK1
ASSEMBLY DETAIL & WIRING DIAGRAM.
B&W Loudspeakers Ltd., Worthing, England.

DRAWN	TRACED	CHECKED	APPROVED	DATE	SCALE
<i>JR</i>				20.9.77	1:1

No.	DESCRIPTION	CHE/DIAPP	DATE
	ALTERATIONS		

DRAWING No. B 371