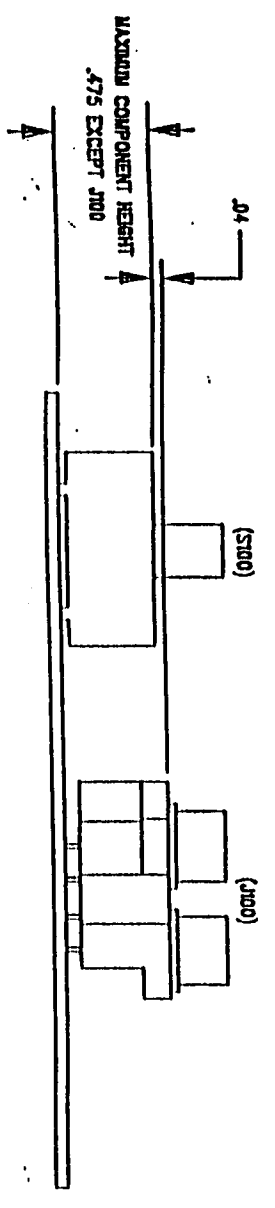
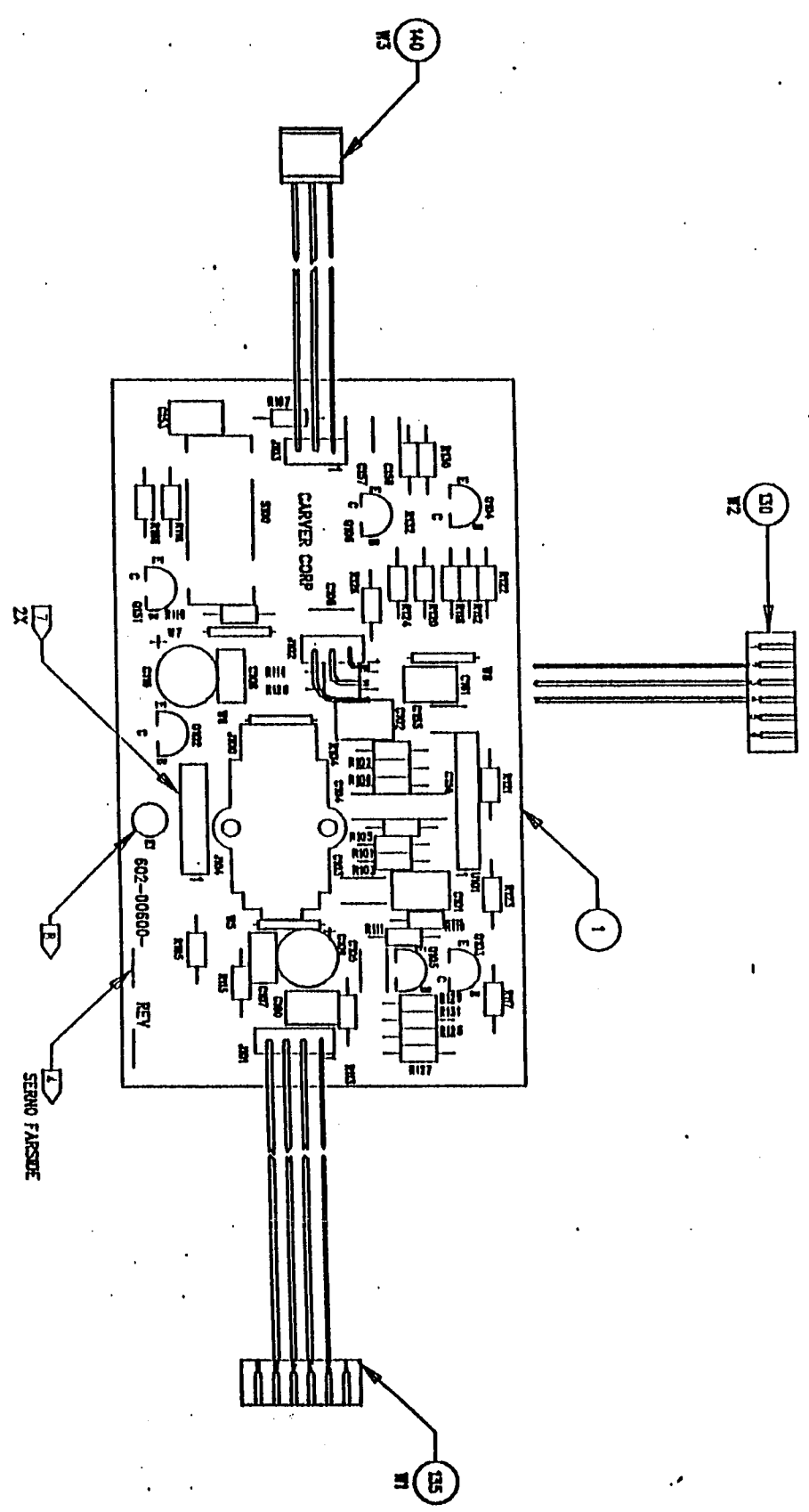


11

**A-400X
Schematic**

REV	DESCRIPTION	DATE	APPROVED
1	PRODUCTION RELEASE	7-3-74	[Signature]



- 1. COMPONENTS TO BE MASKED PRIOR TO FLOW SOLDER. E.I.
- 2. COMPONENTS NOT TO BE INSTALLED: E1 AND J04.
- 3. SOLDER PLUG NOT REQUIRED.
- 4. SOLDER PAD INDICATES PIN NO. ONE.
- 5. MARK APPROPRIATE DASH NO., REV AND SERIAL NO. USING CONTRASTING, NON-CONDUCTIVE INK IN J6 FOR HIGH CHARACTERS.
- 6. ASSEMBLE PER CARVER WORKMANSHIP STANDARDS W20001.
- 7. SEE 602-00600-01 FOR SCHEDULED DIAGRAM.
- 8. SEE SEPARATE PARTS LIST.

NOTES: UNLESS OTHERWISE SPECIFIED.

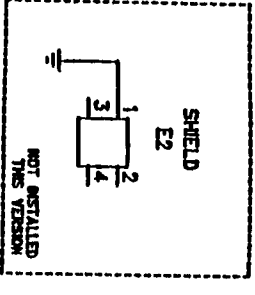
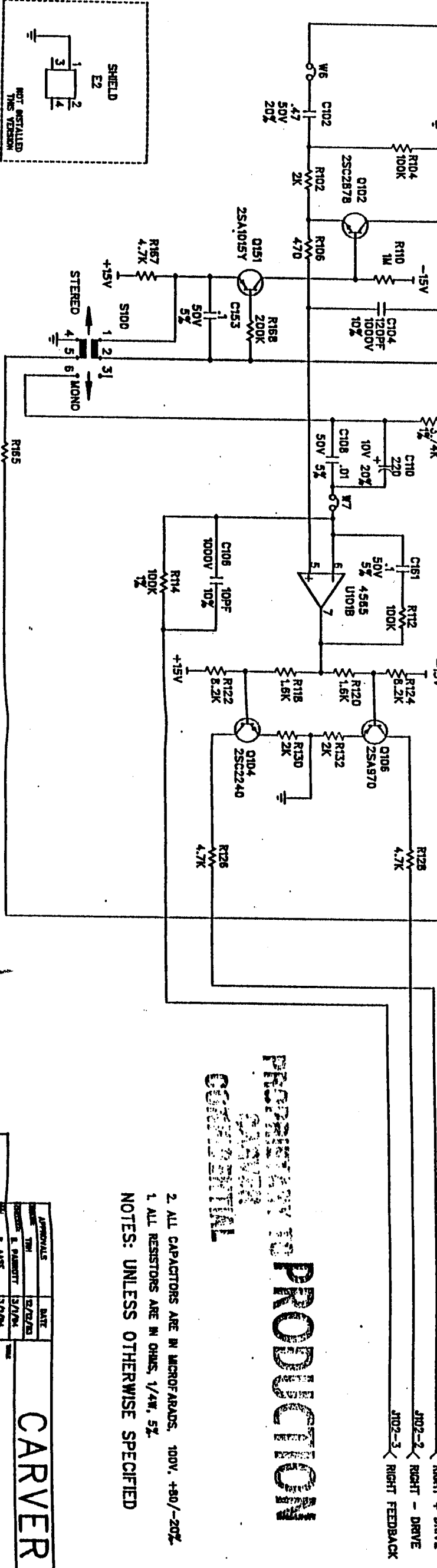
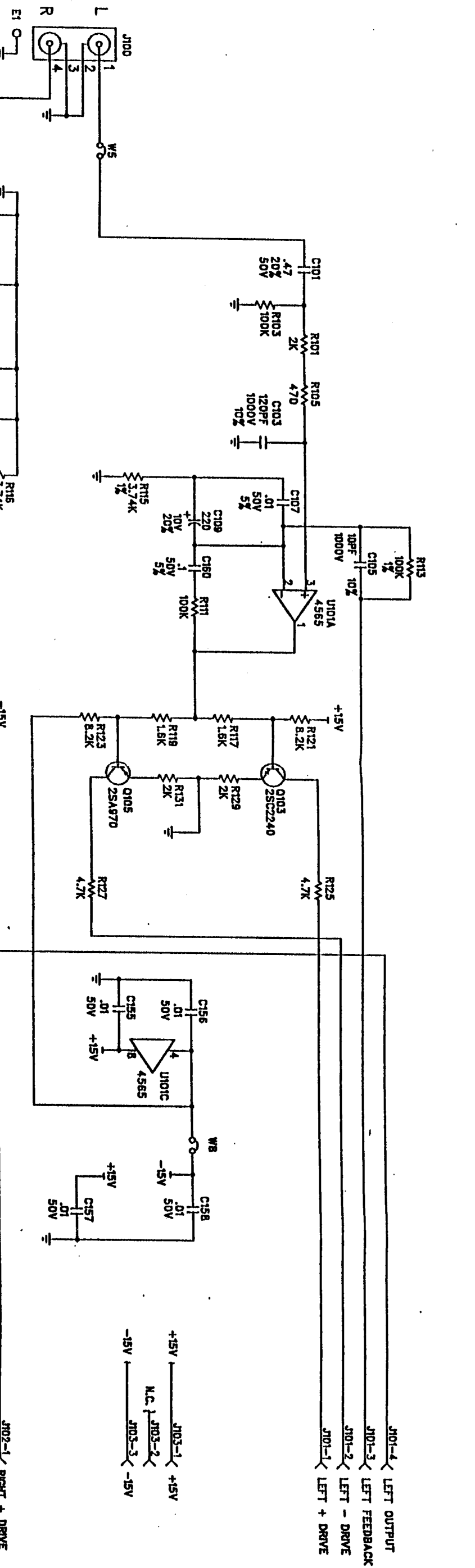
CHECKS CONFORMING SPECIFIED REQUIREMENTS FOR THIS DRAWING		APPROVALS		DATE	
DESIGNED BY	DATE	DESIGNED BY	DATE	DESIGNED BY	DATE
1	3/7/74	1	3/7/74	1	3/7/74
2	3/7/74	2	3/7/74	2	3/7/74
3	3/7/74	3	3/7/74	3	3/7/74
4	3/7/74	4	3/7/74	4	3/7/74
5	3/7/74	5	3/7/74	5	3/7/74
6	3/7/74	6	3/7/74	6	3/7/74
7	3/7/74	7	3/7/74	7	3/7/74
8	3/7/74	8	3/7/74	8	3/7/74
9	3/7/74	9	3/7/74	9	3/7/74
10	3/7/74	10	3/7/74	10	3/7/74
11	3/7/74	11	3/7/74	11	3/7/74
12	3/7/74	12	3/7/74	12	3/7/74
13	3/7/74	13	3/7/74	13	3/7/74
14	3/7/74	14	3/7/74	14	3/7/74
15	3/7/74	15	3/7/74	15	3/7/74
16	3/7/74	16	3/7/74	16	3/7/74
17	3/7/74	17	3/7/74	17	3/7/74
18	3/7/74	18	3/7/74	18	3/7/74
19	3/7/74	19	3/7/74	19	3/7/74
20	3/7/74	20	3/7/74	20	3/7/74
21	3/7/74	21	3/7/74	21	3/7/74
22	3/7/74	22	3/7/74	22	3/7/74
23	3/7/74	23	3/7/74	23	3/7/74
24	3/7/74	24	3/7/74	24	3/7/74
25	3/7/74	25	3/7/74	25	3/7/74
26	3/7/74	26	3/7/74	26	3/7/74
27	3/7/74	27	3/7/74	27	3/7/74
28	3/7/74	28	3/7/74	28	3/7/74
29	3/7/74	29	3/7/74	29	3/7/74
30	3/7/74	30	3/7/74	30	3/7/74
31	3/7/74	31	3/7/74	31	3/7/74
32	3/7/74	32	3/7/74	32	3/7/74
33	3/7/74	33	3/7/74	33	3/7/74
34	3/7/74	34	3/7/74	34	3/7/74
35	3/7/74	35	3/7/74	35	3/7/74
36	3/7/74	36	3/7/74	36	3/7/74
37	3/7/74	37	3/7/74	37	3/7/74
38	3/7/74	38	3/7/74	38	3/7/74
39	3/7/74	39	3/7/74	39	3/7/74
40	3/7/74	40	3/7/74	40	3/7/74
41	3/7/74	41	3/7/74	41	3/7/74
42	3/7/74	42	3/7/74	42	3/7/74
43	3/7/74	43	3/7/74	43	3/7/74
44	3/7/74	44	3/7/74	44	3/7/74
45	3/7/74	45	3/7/74	45	3/7/74
46	3/7/74	46	3/7/74	46	3/7/74
47	3/7/74	47	3/7/74	47	3/7/74
48	3/7/74	48	3/7/74	48	3/7/74
49	3/7/74	49	3/7/74	49	3/7/74
50	3/7/74	50	3/7/74	50	3/7/74
51	3/7/74	51	3/7/74	51	3/7/74
52	3/7/74	52	3/7/74	52	3/7/74
53	3/7/74	53	3/7/74	53	3/7/74
54	3/7/74	54	3/7/74	54	3/7/74
55	3/7/74	55	3/7/74	55	3/7/74
56	3/7/74	56	3/7/74	56	3/7/74
57	3/7/74	57	3/7/74	57	3/7/74
58	3/7/74	58	3/7/74	58	3/7/74
59	3/7/74	59	3/7/74	59	3/7/74
60	3/7/74	60	3/7/74	60	3/7/74
61	3/7/74	61	3/7/74	61	3/7/74
62	3/7/74	62	3/7/74	62	3/7/74
63	3/7/74	63	3/7/74	63	3/7/74
64	3/7/74	64	3/7/74	64	3/7/74
65	3/7/74	65	3/7/74	65	3/7/74
66	3/7/74	66	3/7/74	66	3/7/74
67	3/7/74	67	3/7/74	67	3/7/74
68	3/7/74	68	3/7/74	68	3/7/74
69	3/7/74	69	3/7/74	69	3/7/74
70	3/7/74	70	3/7/74	70	3/7/74
71	3/7/74	71	3/7/74	71	3/7/74
72	3/7/74	72	3/7/74	72	3/7/74
73	3/7/74	73	3/7/74	73	3/7/74
74	3/7/74	74	3/7/74	74	3/7/74
75	3/7/74	75	3/7/74	75	3/7/74
76	3/7/74	76	3/7/74	76	3/7/74
77	3/7/74	77	3/7/74	77	3/7/74
78	3/7/74	78	3/7/74	78	3/7/74
79	3/7/74	79	3/7/74	79	3/7/74
80	3/7/74	80	3/7/74	80	3/7/74
81	3/7/74	81	3/7/74	81	3/7/74
82	3/7/74	82	3/7/74	82	3/7/74
83	3/7/74	83	3/7/74	83	3/7/74
84	3/7/74	84	3/7/74	84	3/7/74
85	3/7/74	85	3/7/74	85	3/7/74
86	3/7/74	86	3/7/74	86	3/7/74
87	3/7/74	87	3/7/74	87	3/7/74
88	3/7/74	88	3/7/74	88	3/7/74
89	3/7/74	89	3/7/74	89	3/7/74
90	3/7/74	90	3/7/74	90	3/7/74
91	3/7/74	91	3/7/74	91	3/7/74
92	3/7/74	92	3/7/74	92	3/7/74
93	3/7/74	93	3/7/74	93	3/7/74
94	3/7/74	94	3/7/74	94	3/7/74
95	3/7/74	95	3/7/74	95	3/7/74
96	3/7/74	96	3/7/74	96	3/7/74
97	3/7/74	97	3/7/74	97	3/7/74
98	3/7/74	98	3/7/74	98	3/7/74
99	3/7/74	99	3/7/74	99	3/7/74
100	3/7/74	100	3/7/74	100	3/7/74

CARVER

CIRCUIT CARD ASSEMBLY - INPUT

602-00600-01

REV. NO.		REVISIONS		DATE	APPROVED
605-00600-01	1	1	B		
ZONE	REV	DESCRIPTION	DATE	APPROVED	
A		PRODUCTION RELEASE	03/03/64	MJV	
B		INC ECO 3539	5/5		



PRODUCTION
CONFIDENTIAL

- 1. ALL CAPACITORS ARE IN MICROFARADS. 100V, +50/-20%.
 - 2. ALL RESISTORS ARE IN OHMS, 1/4W, 5%.
- NOTES: UNLESS OTHERWISE SPECIFIED

- J102-1 RIGHT + DRIVE
- J102-2 RIGHT - DRIVE
- J102-3 RIGHT FEEDBACK
- J103-1 +15V
- J103-2 -15V
- J103-3 -15V
- J101-1 LEFT + DRIVE
- J101-2 LEFT - DRIVE
- J101-3 LEFT FEEDBACK
- J101-4 LEFT OUTPUT

CARVER

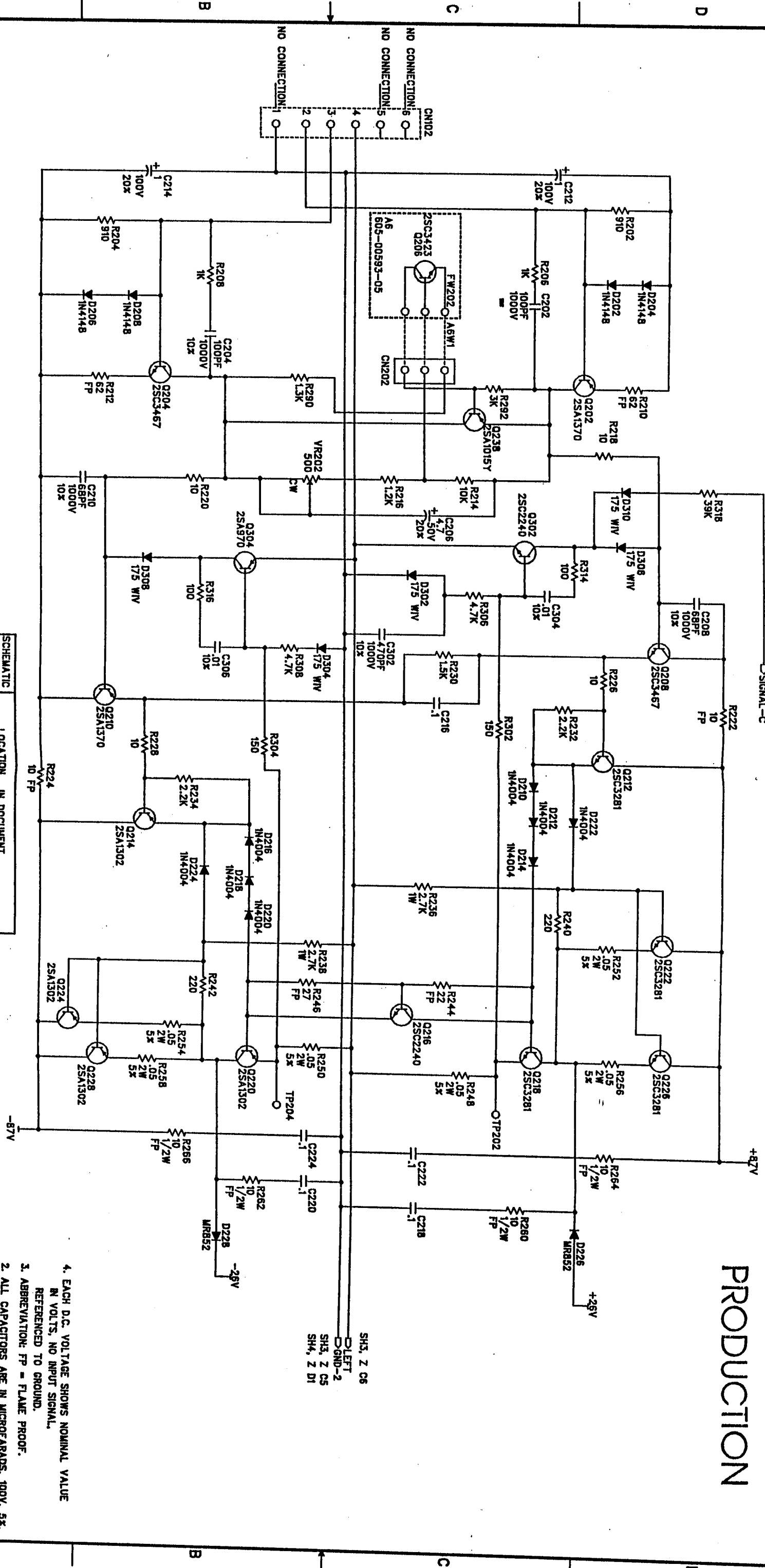
INPUT - SCHEMATIC DIAGRAM

APPROVALS	DATE
DESIGNED BY: E. PARBOTT	12/23/63
DRAWN BY: E. ALBERT	12/23/63
CHECKED BY: E. PARBOTT	12/23/63
TESTED BY: E. WALTERS	12/23/63
DATE: 5/2/64	

FORM NO. TFM-352	REV. 1
605-00600-01	B

REVISIONS		DATE	APPROVED
1	PRODUCTION RELEASE	2/20/75	
2	INC ESD 48W7	1/23	

PRODUCTION



RIGHT AMP

605-00593-06

SCHEMATIC DASH No.	LOCATION IN DOCUMENT
-01	SEE SEPARATE SCHEMATIC (TFM-35x)
-02	SEE SEPARATE SCHEMATIC (TFM-55x)
-03	NOT USED (LIGHT)
-04	SH2 Z C7 (XSTR LEFT)
-05	SH1 Z C7 (XSTR RIGHT)
-06	SHEET 1 THRU SHEET 4 (A-400x)
-07	SH4 Z C8 (LED)

CARVER

MAIN AMPLIFIER - SCHEMATIC DIAGRAM

NOTES: UNLESS OTHERWISE SPECIFIED

1. ALL RESISTORS ARE IN OHMS, 1/4W, 5%.
2. ALL CAPACITORS ARE IN MICROFARADS, 100V, 5%.
3. ABBREVIATION: FP = FLAME PROOF.
4. EACH D.C. VOLTAGE SHOWS NOMINAL VALUE IN VOLTS, NO INPUT SIGNAL, REFERENCED TO GROUND.

APPROVALS	DATE
DESIGNED BY: K. WALTERS	12/16/73
CHECKED BY: F. PETERS	12/16/73
APPROVED BY: E. BURDET	12/16/73
APPROVED BY: L. VOLKMAN	12/16/73

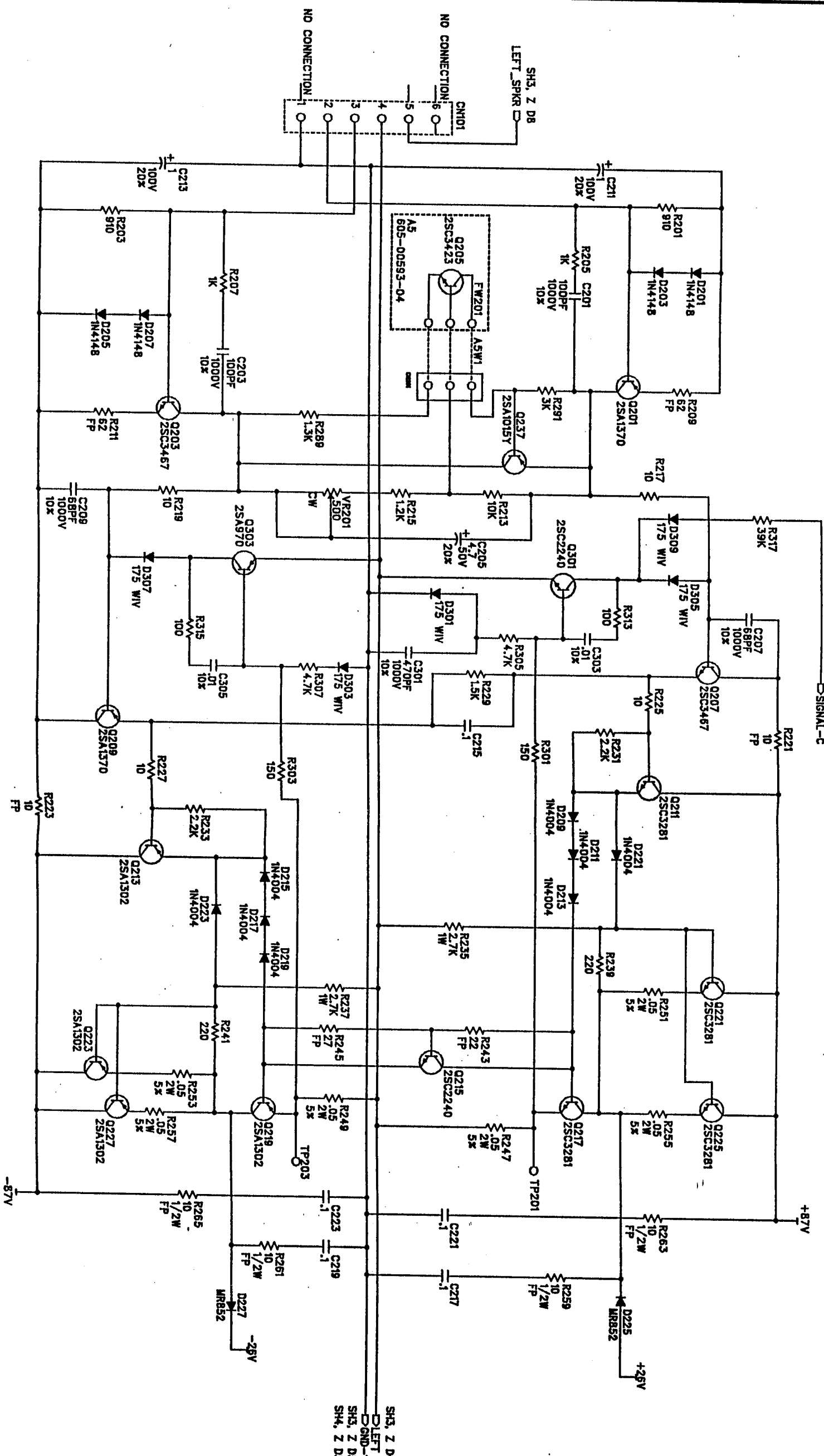
USED ON: A-400X

605-00593-06 B

8 7 6 5 4 3 2 1

REV NO.	605-00593-06	REV 2	REV B
DATE		APPROVED	
REVISIONS			
ZONE	REV	DESCRIPTION	
D			

PRODUCTION



LEFT AMP

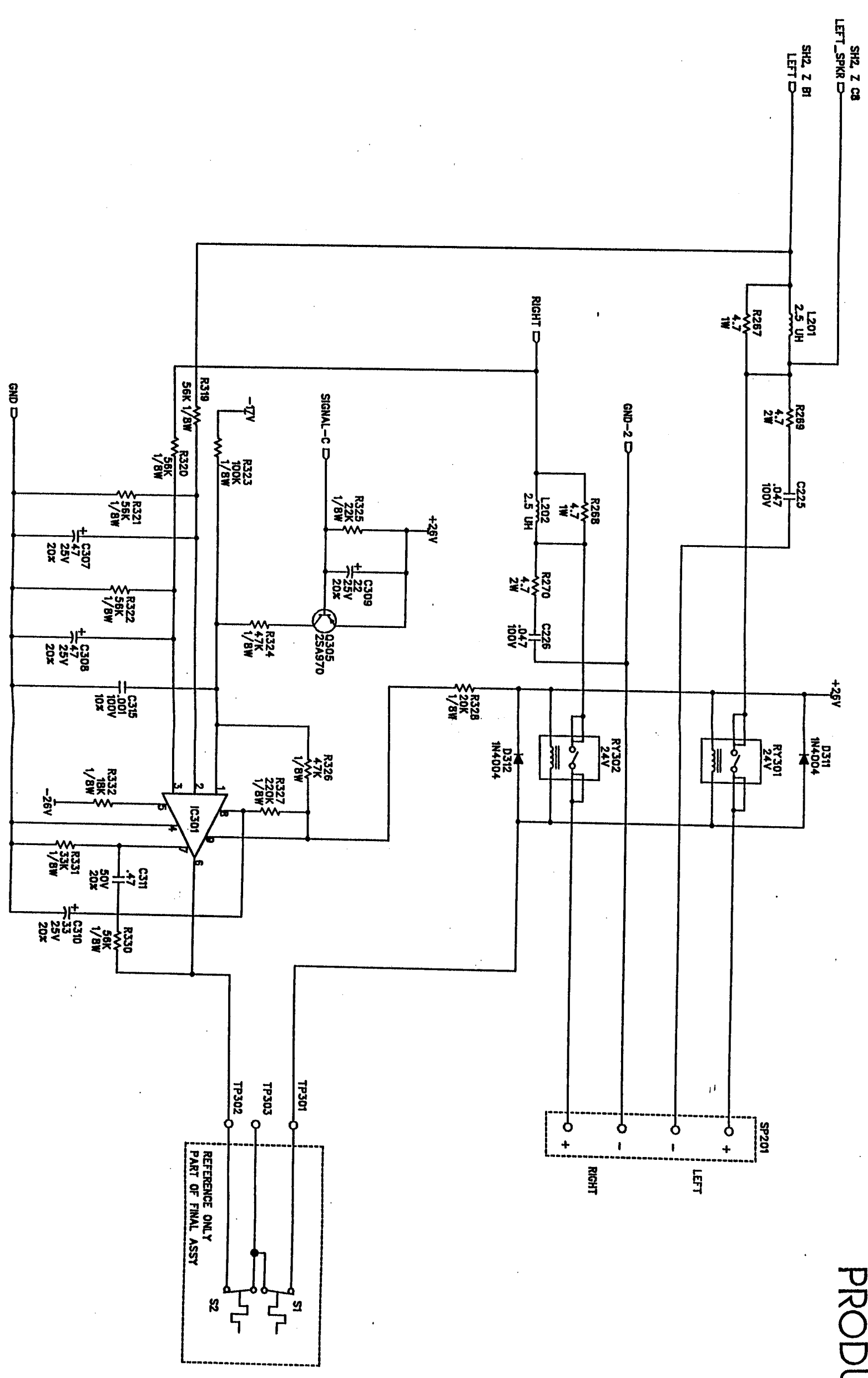
605-00593-06

CARVER-

605-00593-06

FORM NO.	605-00593-06	REV	3	REV	B
REVISIONS					
ZONE	REV	DESCRIPTION	DATE	APPROVED	
		SEE SHEET 1			

PRODUCTION



605-00593-06

IC301

IC PIN NO.	1	2	3	4	5	6	7	8	9
VOLTAGE	-6	0	0	0	-7	-6	0	1.3	3

CARVER

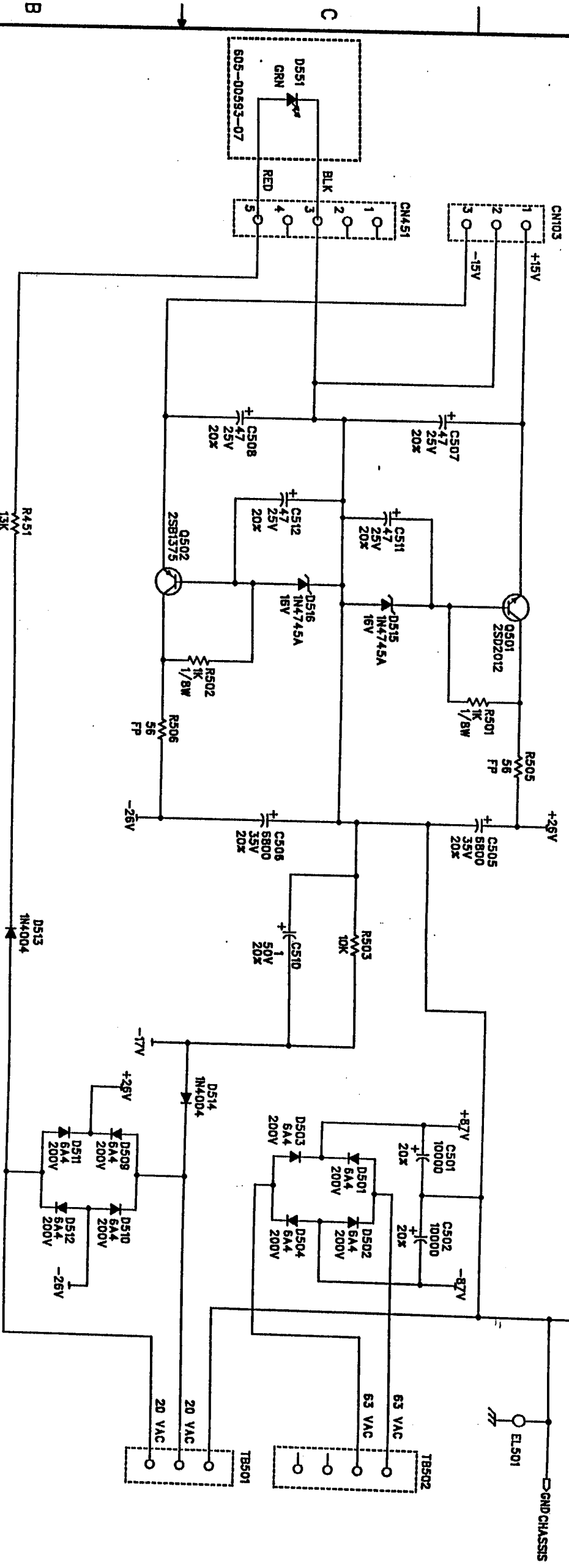
FORM NO. 605-00593-06

REV B

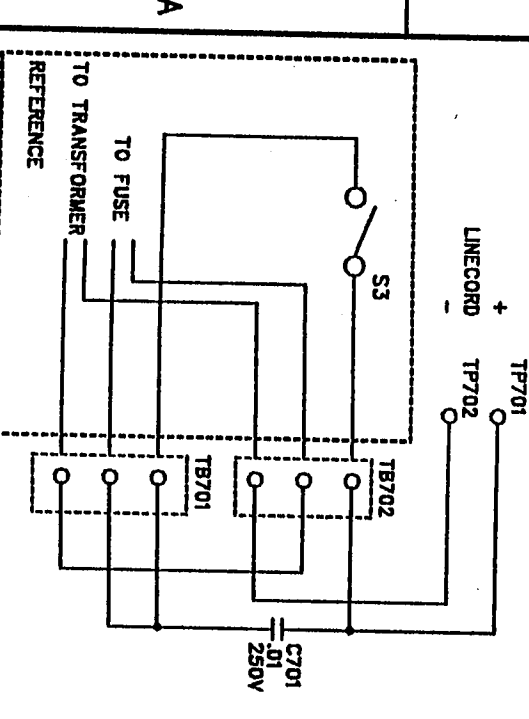
REV. NO.	605-00593-06	REV. 4	B
ZONE	REV.	DESCRIPTION	DATE
	SEE SHEET 1		
		REVISIONS	APPROVED

PRODUCTION

- SH3, Z A5
- GND -3
- SH1, Z B1
- SH3, Z C5
- GND -2
- SH2, Z B1
- SH3, Z D5
- GND -1



605-00593-06



CARVER

605-00593-06 B

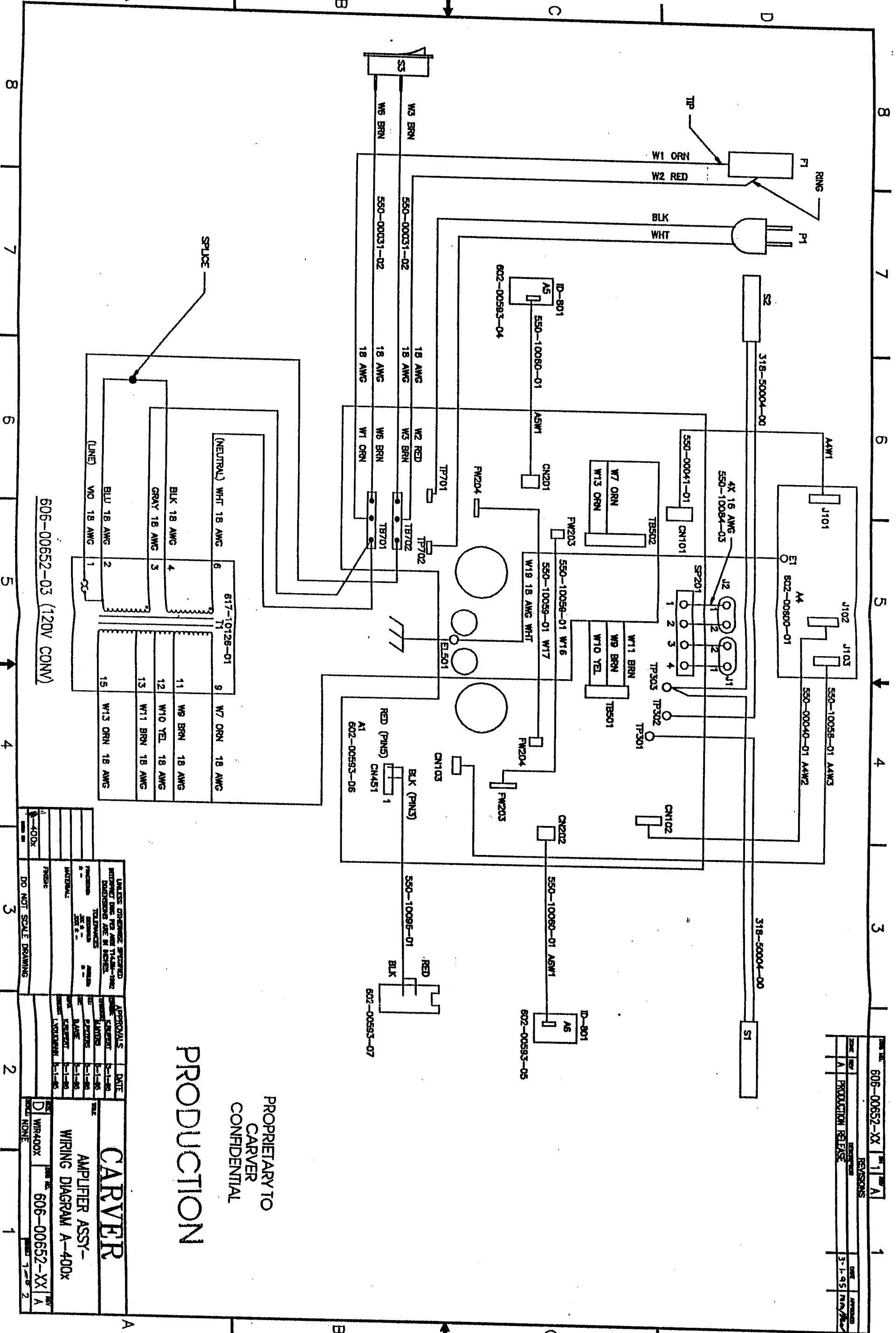
REV	NO.	DESCRIPTION	DATE	APPROVED
1	A	PRODUCTION RELEASE	3-1-95	RM/AB

PROPRIETARY TO
CARVER
CONFIDENTIAL
PRODUCTION

CARVER

AMPLIFIER ASSY-
WIRING DIAGRAM A-400X

UNLESS OTHERWISE SPECIFIED DIMENSIONS ARE IN INCHES	APPROVALS	DATE
TOLERANCES	DESIGNER	1-1-95
ASSEMBLY	CHECKER	1-1-95
WELDING	TESTER	1-1-95
PAINTING	INSPECTOR	1-1-95
WORKMANSHIP	WORKMAN	1-1-95
PRECISE		
DO NOT SCALE DRAWING		
REV	NO.	DESCRIPTION
1	D	WIR400X
2		NONE

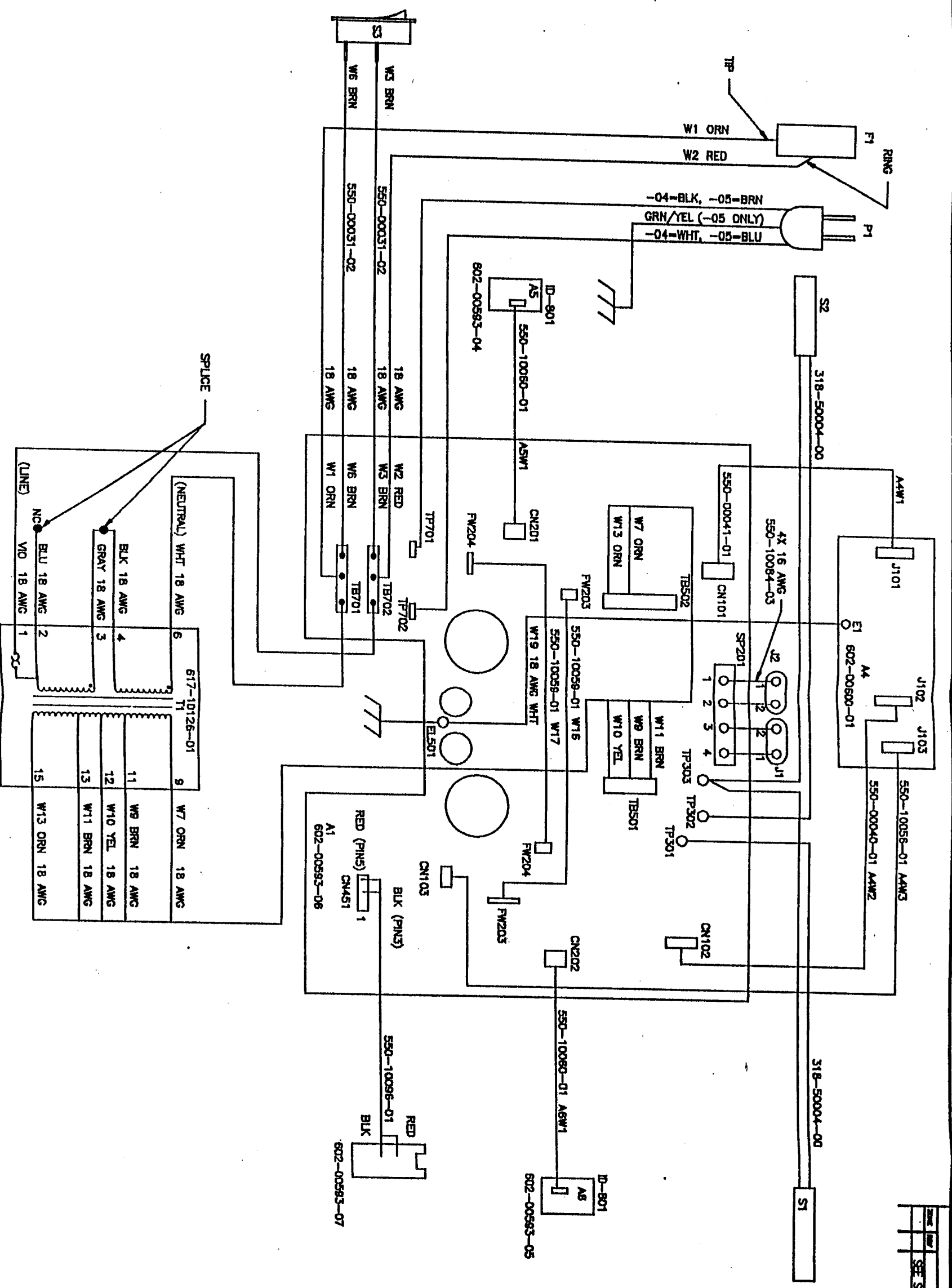


REV	DATE	BY	APP
1			
2			

606-00652-XX (M2) A

REV 2

1



PROPRIETARY TO
CARVER
CONFIDENTIAL

PRODUCTION

CARVER

606-00652-04 (230V CONV)
606-00652-05 (EURO)

D WIR400X 606-00652-XX A
REV 2

8 7 6 5 4 3 2 1

A-400X

101-30001-00	FOOT, RUBBER ROUND .63W X .31H A	2
105-30007-01	FOOT, 1.96 DIA X .64 HIGH A	1
105-40014-00	FUSEHOLDER PANEL MNT 120-230V A	5
105-50000-00	FUSE CARRIER 120V A	10
106-30011-01	GROMMET, #8 ROUND HOLE A	15
109-10022-02	PHONO JACK 2P SLDR DIP PIN GLD B	5
111-20051-00	SOLDER LUG #6 A	5
115-30016-01	POST, BDG, DUAL SHORT RED/BLK C	13
115-60002-01	TAB, PCB, .250 A	5
118-90007-00	STRN RE MCT.063 SJT 16/3&18/3 A	20
119-20035-01	TEST POINT A	10
151-20002-00	SCRW, MACH PP 4-40X3/8 BLK WAX A	36
151-30002-00	SCREW SHT MTL PP BLK 4X3/8 "A" A	80
151-30005-01	SCREW SHT MTL PP BLK 4X3/16 B A	85
151-30102-00	SCREW SHT MTL PP BLK 8X3/8 "A" A	42
151-30102-00	SCREW SHT MTL PP BLK 8X3/8 "A" A	45
151-30106-00	SCREW SHT MTL PP BLK 8X3/4 "A" A	46
151-30107-01	SCRW, SM PP SERR BLK 6X1/4 "B" A	40
151-30168-03	SCRW PNH #4 SLFTPG W/WSHR 1/2" B	75
152-20003-01	U-TYPE CLIP #8 SHT MTL A	95
154-30002-00	WASHER, SPLIT LOCK BLK. #8 A	105
159-50002-00	TYRAP 4"L WHT A	115
159-70003-02	CLAMP, CABLE KURLY-LOK .5 A	116
160-20009-00	CONNECTOR 3 PIN B-TONE CN401 A	25
160-20014-00	CONNECTOR, SPLICE NYLON INSUL A	118
160-20500-07	FAST NYL 16-14AWG BLU .250 C	119
160-30045-06	CONN, HDR, 6 PIN .100 SHROUDED B	40
201-00002-00	CAP CER DISC 10 PF 1000V 10% C	10
201-00009-00	CAP CER DISC 68 PF 1000V 10% B	45
201-00012-00	CAP CER DISC 100 PF 1000V 10% B	50
201-00013-00	CAP CER DISC 120 PF 1000V 10% B	15
201-00023-00	CAP CER DISC 470 PF 1000V 10% B	55
201-00035-00	CAP, CER .01UF 250VAC UL/CSA B	60
201-00127-02	CAP CR DSK .01UF 50V +80-20 .2 B	20
204-00003-00	CAP PLYFLM .001 UF 100V 10% RD A	70
204-00015-00	CAP PLYFLM .01 UF 100V 10% RAD A	75
204-00042-00	CAP PLYFLM .1 UF 100V 5% RAD A	80
204-00065-00	CAP PLYFLM .047 UF 100V 5% RAD A	85
204-00101-00	CAP PLYFLM .47 UF 50V 20% RAD A	25
204-00134-00	CAP MTL FLM .01 UF 50V 5% A	30
204-00146-00	CAP MTL FLM .1 UF 50V 5% B	35
205-00001-02	CAP LYTIC 1 UF 50V 20% RAD .2 B	90
205-00006-02	CAP LYTIC 4.7UF 50V 20% RAD .2 B	95
205-00011-02	CAP LYTIC 22 UF 25V 20% RAD .2 D	100
205-00013-02	CAP LYTIC 47 UF 25V 20% RAD .2 B	105
205-00054-02	CAP LYTIC 1 UF 100V 20% RAD .2 B	115
205-00065-02	CAP LYTIC .47UF 50V RAD .2LS A	120
205-00159-00	CAP LYTIC 33 UF 25V 20% RAD A	125
205-00161-00	CAP LYTIC 10,000 UF 100V SNAP B	130
205-00177-00	CAP, LYTIC 6800 UF, 35V A	135
205-00179-02	CAP LYTIC 220 UF 10V MINI 20% A	40

A-400X

259-30012-01	POT, 500 OHM 6MM ROUND	A	150
260-50100-04A	RES, CF 5% 10 OHM 1/4W	A	155
260-50101-04A	RES, CF 5% 100 OHM 1/4W	A	160
260-50102-03A	RES, CF 5% 1K 1/8W	B	165
260-50102-04A	RES, CF 5% 1K 1/4W	A	170
260-50103-04A	RES, CF 5% 10K 1/4W	A	180
260-50104-03A	RES, CF 5% 100K 1/8W	B	185
260-50104-04A	RES, CF 5% 100K 1/4W	A	0
260-50104-04D	RES, CF 5% 100K 1/4W .5	A	45
260-50105-04A	RES, CF 5% 1M 1/4W	A	0
260-50105-04D	RES, CF 5% 1M 1/4W .5	A	50
260-50122-04A	RES, CF 5% 1.2K 1/4W	A	0
260-50122-04D	RES, CF 5% 1.2K 1/4W .5	A	190
260-50132-04A	RES, CF 5% 1.3K 1/4W	A	195
260-50133-04A	RES, CF 5% 13K 1/4W	A	197
260-50151-04A	RES, CF 5% 150 OHM 1/4W	A	200
260-50152-04A	RES, CF 5% 1.5K 1/4W	A	205
260-50162-04A	RES, CF 5% 1.6K 1/4W		0
260-50162-04D	RES, CF 5% 1.6K 1/4W .5	A	55
260-50183-03A	RES, CF 5% 18K 1/8W	B	210
260-50202-04A	RES, CF 5% 2K 1/4W		0
260-50202-04D	RES, CF 5% 2K 1/4W .5	A	60
260-50203-03A	RES, CF 5% 20K 1/8W	B	215
260-50204-04A	RES, CF 5% 200K 1/4W	A	0
260-50204-04D	RES, CF 5% 200K 1/4W .5	A	65
260-50221-04A	RES, CF 5% 220 OHM 1/4W	A	220
260-50222-04A	RES, CF 5% 2.2K 1/4W	A	225
260-50223-03A	RES, CF 5% 22K 1/8W	B	230
260-50224-03A	RES, CF 5% 220K 1/8W	B	235
260-50302-04A	RES, CF 5% 3K 1/4W	A	240
260-50333-03A	RES, CF 5% 33K 1/8W	B	245
260-50393-04A	RES, CF 5% 39K 1/4W	A	250
260-50471-04A	RES, CF 5% 470 OHM 1/4W	A	0
260-50471-04D	RES, CF 5% 470 OHM 1/4W .5	A	70
260-50472-04A	RES, CF 5% 4.7K 1/4W	A	255
260-50472-04A	RES, CF 5% 4.7K 1/4W	A	0
260-50472-04D	RES, CF 5% 4.7K 1/4W .5	A	75
260-50473-03A	RES, CF 5% 47K 1/8W	B	260
260-50563-03A	RES, CF 5% 56K 1/8W	B	270
260-50822-04A	RES, CF 5% 8.2K 1/4W		0
260-50822-04D	RES, CF 5% 8.2K 1/4W .5	A	80
260-50911-04A	RES, CF 5% 910 OHM 1/4W	A	275
262-31003-04A	RES, MF 1% 100K 1/4W		0
262-31003-04D	RES, MF 1% 100K 1/4W .5	A	85
262-33741-04A	RES, MF 1% 3.74K 1/4W		0
262-33741-04D	RES, MF 1% 3.74K 1/4W .5	A	90
263-50272-07A	RES MO FP 5% 2.7K 1W AX LG	B	280
263-50477-07A	RES MO FP 5% 4.7 1W AX LG	B	290
263-50477-08A	RES MO FUSIBLE 4.7OHM 2W AX	C	295
264-50509-08A	RES, WW 5% .05 OHM 2W UNPREP	A	145
266-50100-04A	RES FUSIBLE 5% 10 OHM 1/4W	C	300

A-400X

266-50100-05A	RES FUSIBLE 5% 10 OHM 1/2W	C	305
266-50220-04A	RES FUSIBLE 5% 22 OHM 1/4W	C	310
266-50270-04A	RES FUSIBLE 5% 27 OHM 1/4W	C	315
266-50560-04A	RES, FUS 5% 56 OHM 1/4W		0
266-50560-04D	RES FUSIBLE 5% 56 OHM 1/4W	.5 C	320
266-50620-04A	RES FUSIBLE 5% 62 OHM 1/4W	C	325
315-13006-00	FUSE, MDA 10	A	120
318-20004-00	SWITCH ROCKER SPST QICDIS. 15A	A	121
318-40011-01	SWITCH, SLIDE 2-POS 2-POLE		95
318-50004-00	SWITCH, THERMAL U1210005310A	C	130
320-20001-00	DIODE, 1N4148 75V UNPRP	D	330
320-20004-00	DIODE, 1N4004 400V UNPRP	C	335
320-20006-00	DIODE, 1N3070 175V UNPRP	C	340
320-20007-00	DIODE, MR852 200V .85	A	345
320-20010-03	DIODE 6AMP 400V UNPREP	D	350
320-30014-00	DIODE, ZENER 1N4745A 16V .4	A	355
320-40004-00	LED, GREEN, HIGH EFFICIENCY	B	5
321-30013-00	XSTR TO3P(L) NPN PWR 2SC3281-0	B	135
321-30014-00	XSTR TO3P(L) PNP PWR 2SA1302-0	B	140
321-40014-01	XISTOR TO92 PNP SM SG 2SA1015Y	A	360
321-40014-01	XISTOR TO92 PNP SM SG 2SA1015Y	A	100
321-40015-01	XISTOR TO92 PNP SM SG 2SA970	A	365
321-40015-01	XISTOR TO92 PNP SM SG 2SA970	A	105
321-40016-01	XISTOR TO92 NPN SM SG 2SC2240	A	370
321-40016-01	XISTOR TO92 NPN SM SG 2SC2240	A	110
321-40027-01	XISTOR TO92 NPN SM SG 2SC3792	A	115
321-60008-00	XISTOR 2006A PNP PWR 2SA1370	A	375
321-60009-00	XISTOR 2006A NPN PWR 2SC3467	A	380
321-60015-01	XISTOR TO220 NPN 2SD2012	A	385
321-60016-01	XISTOR TO220 PNP 2SB1375	A	390
321-90001-00	XISTOR B100 NPN PWR 2SC3423-Y	A	5
321-90001-00	XISTOR B100 NPN PWR 2SC3423-Y	A	5
330-30020-01	IC, SPEAKER PROTECT TA7317P	A	410
330-30021-01	IC, DUAL OP AMP SIP NJM4565	B	120
401-10204-00	WIRE 18 AWG TEW ORANGE 9"	A	150
401-10222-00	WIRE 18 AWG TEW RED 9"	A	146
401-10598-00	WIRE 22 AWG TR-64 BLUE 7"	-	413
401-20003-00	BUSS WIRE 22 GAGE SPOOL	B	415
401-20003-00	BUSS WIRE 22 GAGE SPOOL	B	125
401-30001-00	JUMPER .2X.25 22AWG INSUL WHT	A	418
401-90023-01	LC, RND 16/2 PLZD-CSA/UL APRD	B	160
402-10007-00	TUBING HTSHRK DUAL WALL 1/2"	A	165
403-00002-00	COLORLED ENAMEL W&W #452	-	167
403-10003-00	SEALANT SILICONE RUBBER RTV	A	422
403-10006-00	GLUE, HOT MELT		420
403-10020-00	LOCTITE #222	A	170
403-40030-01	TAPE, D BCK 1/2" SCOTCH 976 2ML	B	175
501-00514-01	PCB, 200-400W HIFI AMP	A	1
501-00600-01	PCB, INPUT	C	1
502-20105-01	CHASSIS, TFM-35X	G	185
503-20131-01	PANEL, FRONT A-400X	A	190

A-400X

503-20132-01	PANEL, REAR, A-400X	A	191
504-20113-01	COVER - TFM-35X	A	195
507-00050-00	BRACKET THERMAL SW UNIVERSAL	C	200
511-20043-01	HEATSINK - TFM-35X	C	230
512-10654-01	INSULATOR, 10 POSITION	A	235
530-20029-00	LABEL, CITY OF LA APPROVED		242
530-20100-00	STICKER, SERIAL # BLANKS	A	245
531-00012-01	LUG, SOLDER, #6	A	430
550-00031-02	CBL, .250 FAST #18 TEW 7" BRN	A	432
550-00040-01	CBL ASSY, #22 6PIN TO 3PIN 6"	A	130
550-00041-01	CBL ASSY, #22 6PIN TO 4PIN 6"	A	135
550-00042-01	CBL ASSY, #18 RING LUG NO.4 7"	A	137
550-10056-01	HARN CON 3 PIN #22 TR64 9"	A	140
550-10059-01	HARN CON .10 SPAC 3 POS 11"	A	435
550-10060-01	HRN CN 3PIN .098 SP #22TR64 3"	A	10
550-10060-01	HRN CN 3PIN .098 SP #22TR64 3"	A	10
550-10084-03	HARN #16 TR64 RNG TRM BLK 3.25 E		421
550-10096-01	HARN, LED CONN, 2 PIN	B	437
602-00593-04	CCA, XSTR LEFT	A	263
602-00593-05	CCA, XSTR RIGHT	A	264
602-00593-06	CCA, MAIN - A-400X	J	260
602-00593-07	CCA, LED MOUNTING	B	265
602-00600-01	CCA, INPUT - TFM-35X	D	261
616-00093-01	CHOKE, 2.5 UH	C	440
617-10126-01	TRANSFORMER, PWR AMP 400W	B	285
617-20000-01	RELAY, SPST 24V PC MNT	C	445