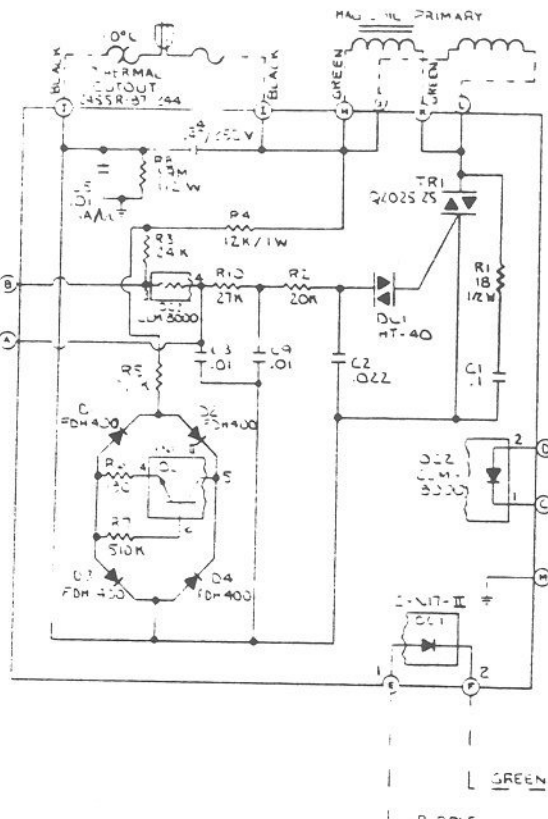
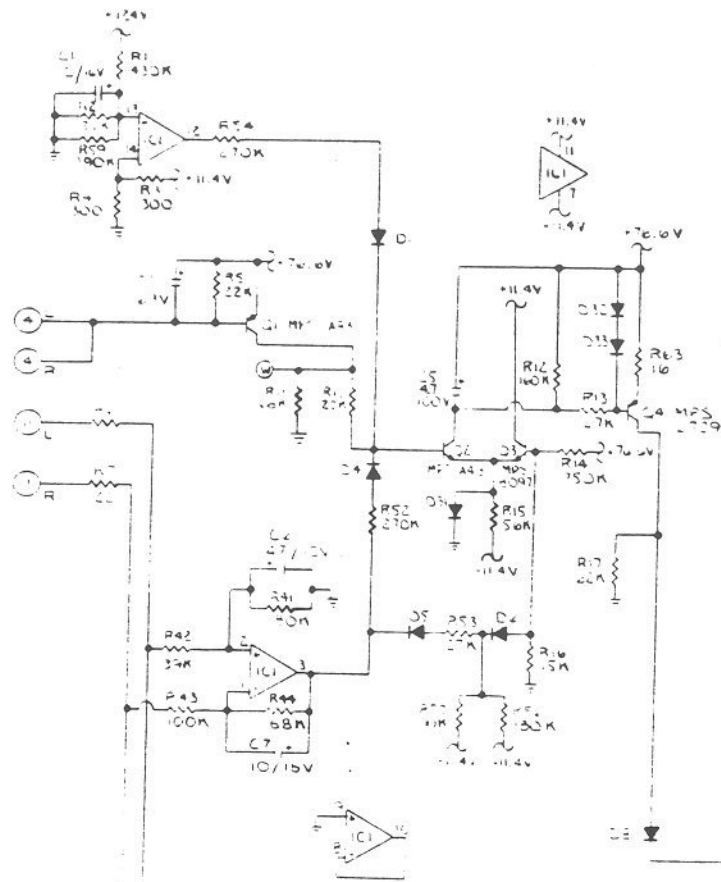


NOTES:

1. IC1 IS A TLO 72
2. UNLESS OTHERWISE NOTED - ALL RESISTORS ARE 1/4W.

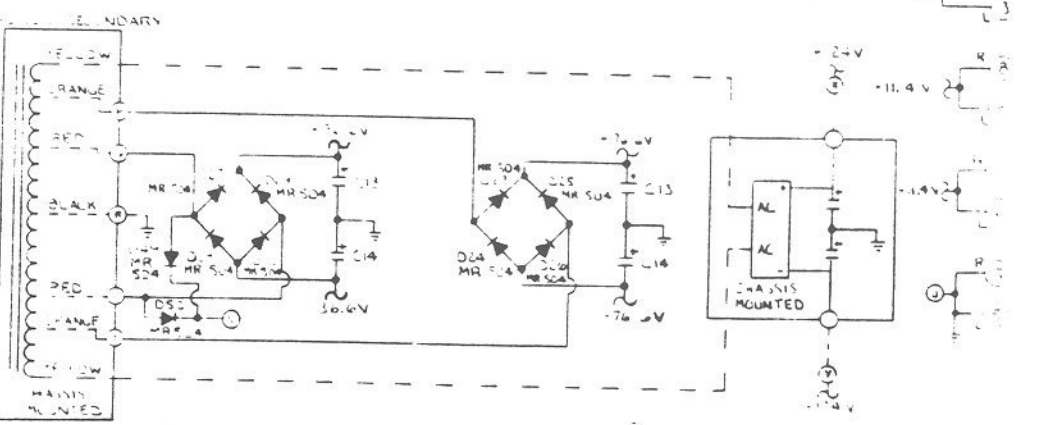
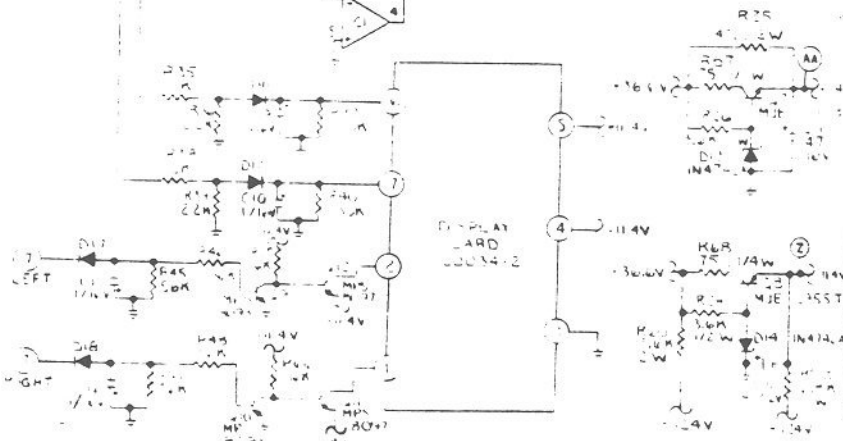
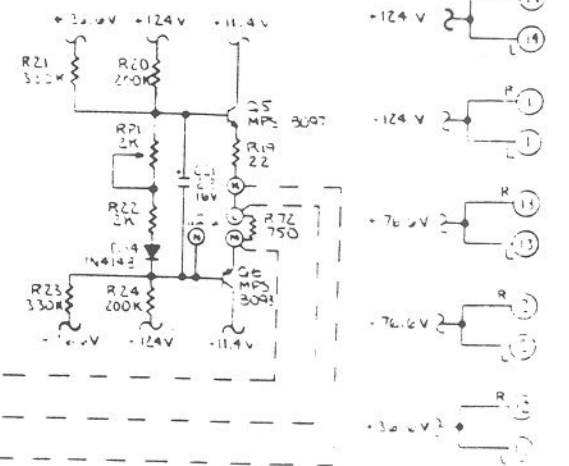
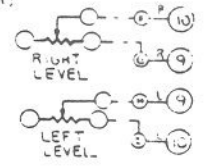
CARVER CORPORATION		
PM-1.5 INPUT BOARD		
M. LIENO	11-83	
REV A		

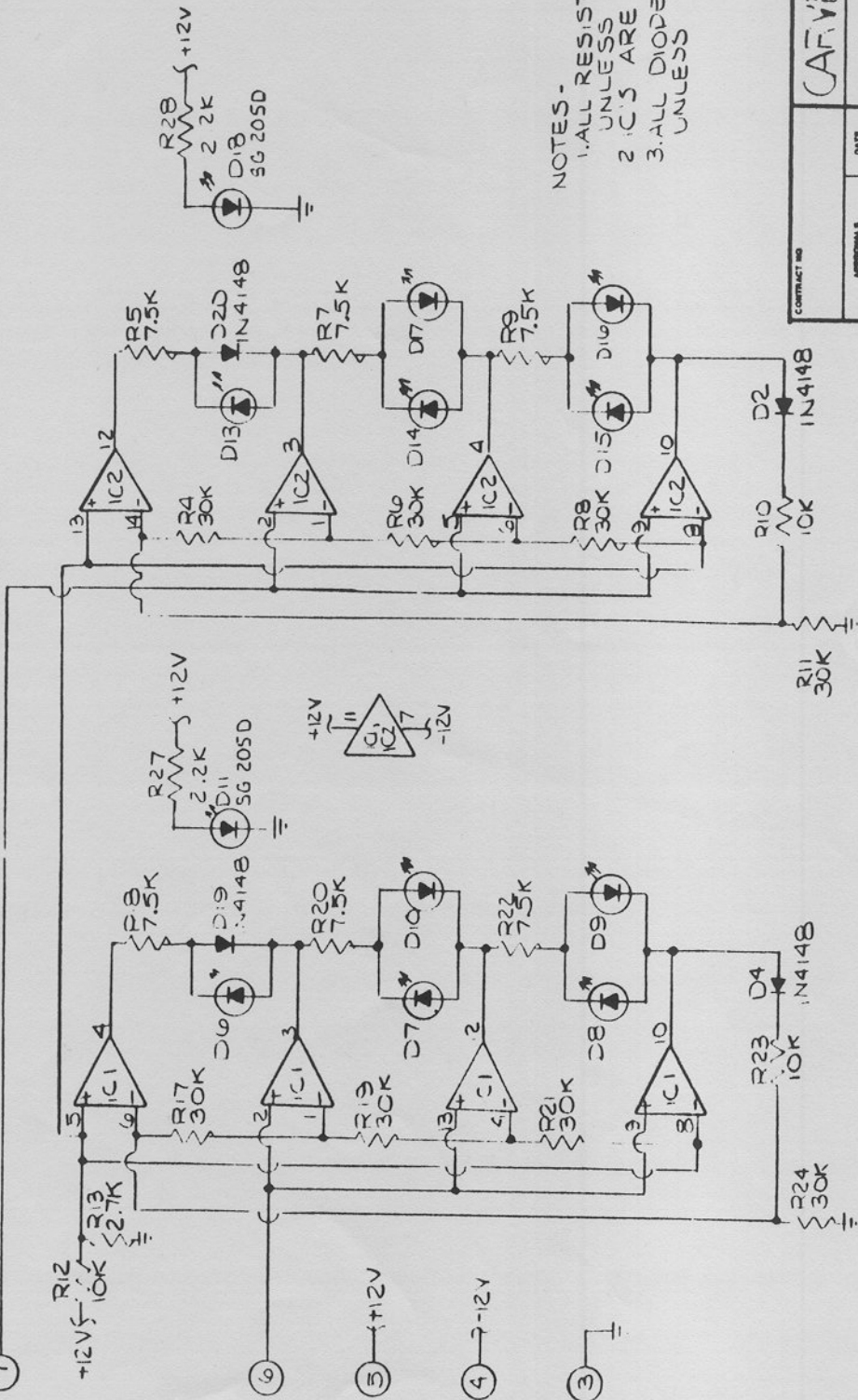
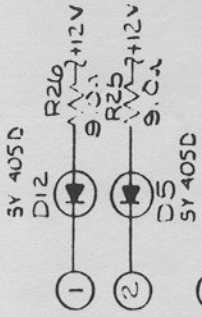
601 00132-01



CARVER CORPORATION	
PROJECT NO. 601-00127-01	REV. PWR SUPPLY PMIS 0V
	24V PWR REGULATOR PMIS 110V
DATE: 10/15/73	BY: J. R. ...
REVISED AND REDRAWN 7/1/75 (PMI)	

- NOTES: UNLESS OTHERWISE SPECIFIED:
1. ALL RESISTORS ARE 1/4 W.
 2. ALL DIODES ARE IN4148.
 3. ALL CAPACITANCE IS IN UF.
 4. C3 AND C4 ARE DUAL 220UF, 50/80V CAPS.
 5. IC1 IS A 9130.





NOTES -
 1. ALL RESISTORS ARE 1/4 WATT UNLESS NOTED.
 2. IC'S ARE 4136 UNLESS NOTED.
 3. ALL DIODES ARE SR505W UNLESS NOTED.

CONTRACT NO.		DATE	
APPROVALS		DATE	
DESIGNED BY ME LENO		1-18-83	
CHECKED BY H. H. ...		1-18-83	
SCALE		DRAWING NO.	
B		601-00128-C	
SHEET		OF	
1 OF 1		P	

CARVEL CORPORATION
 PM 1.5 DISPLAY