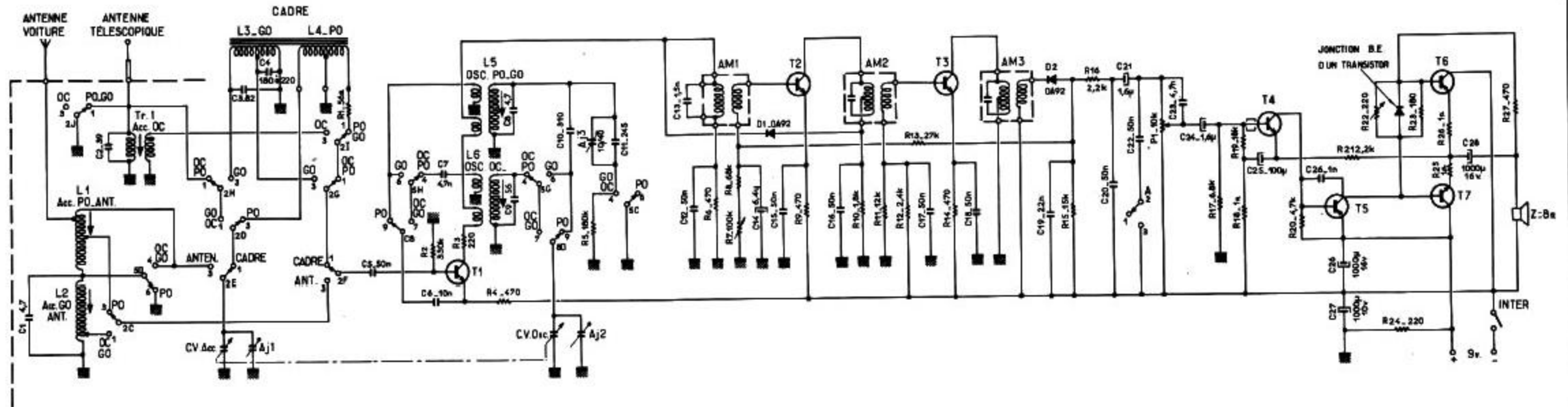
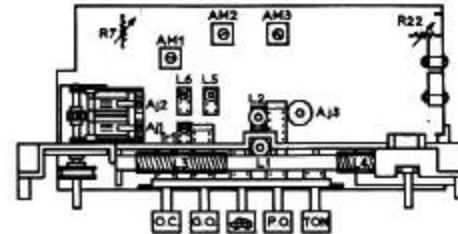
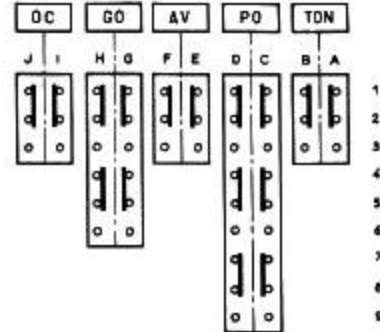
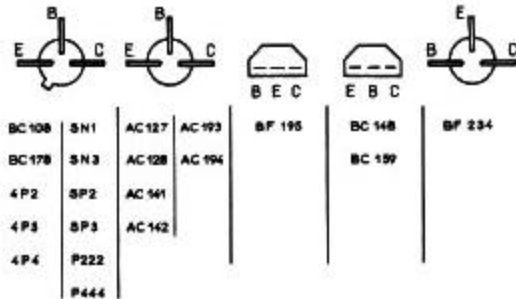


TR 5987



BLOC A TOUCHES VU
COTE CUIVRE



FREQUENCES DE REGLAGE

| GAMME | OSCILLATEUR | ACCORD |
|-------|----------------|----------------|
| PO | 520 - 1620 KHz | 600 - 1400 KHz |
| GO | 150 - 267 KHz | 220 KHz |
| OC | 5,9 - 12,5 MHz | 6,1 MHz |

FREQUENCE INTERMEDIAIRE : 480 kHz

TRANSISTORS

| T1 | T2 | T3 | T4 | T5 | T6 | T7 |
|-------|-------|-------|-------|-------|--------|--------|
| 4P2 | P222 | P444 | SN3 | SP3 | AC142K | AC141K |
| 4P3 | 4P3 | 4P3 | SN1 | SP2 | AC142K | AC141K |
| BF195 | BF195 | BF195 | BC148 | BC178 | AC193 | AC194 |
| BF234 | BF234 | BF234 | BC108 | BC199 | AC128 | AC127 |