

6

5

4

3

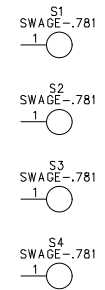
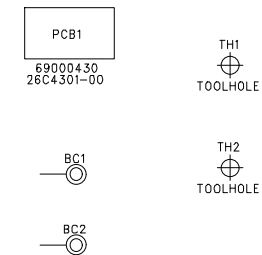
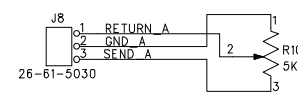
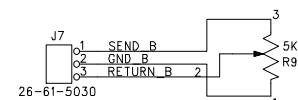
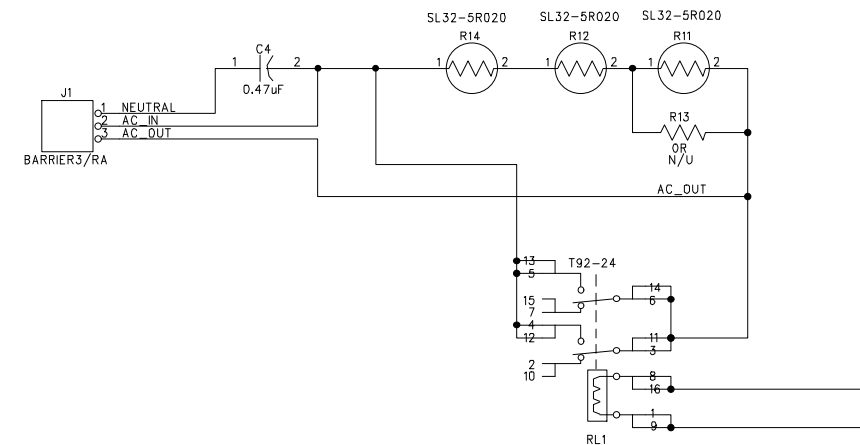
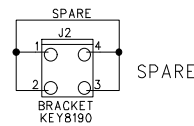
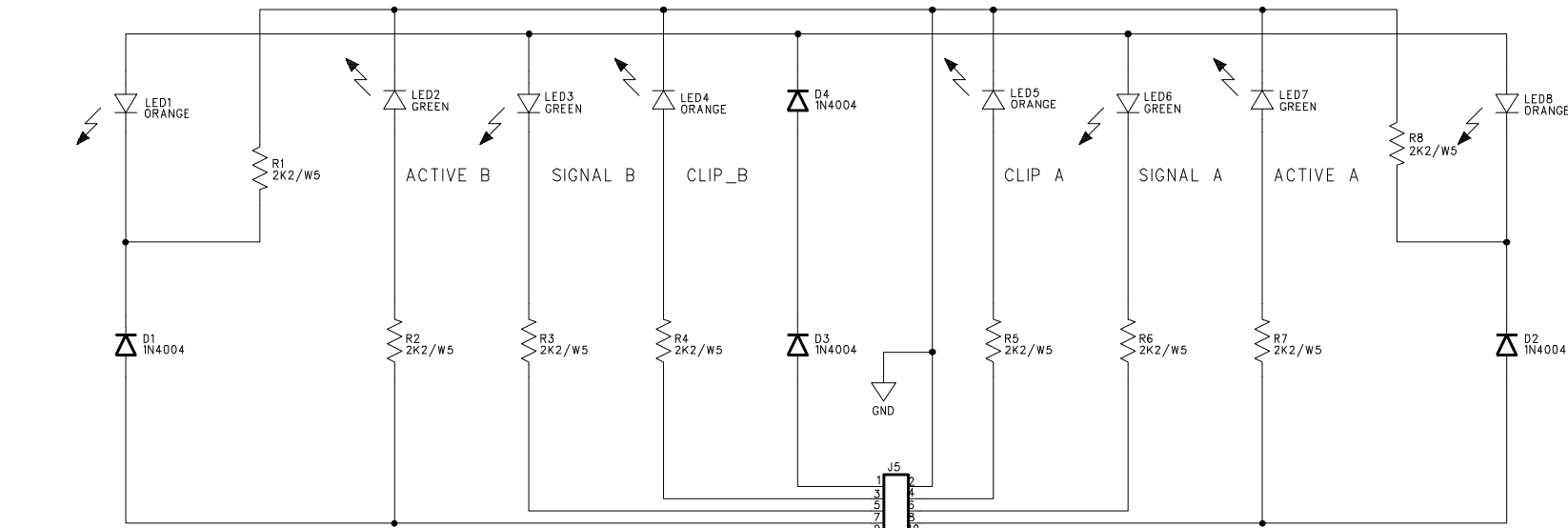
2

1

REVISION RECORD			
LTR	ECO NO:	APPROVED:	DATE:

REV 1 (SCHEMATIC CHANGES)  
 1) PINOUT OF J1 CHANGED TO REFLECT NEW PCB LAYOUT BECAUSE OF LARGER TRANSF.  
 2) J7 & J8 CHANGED TO GOLD RIGHT ANGLE HEADER FROM STRAIGHT PIN HEADER. NEW CONNECTOR 26-61-5030.  
 3) J2 CHANGED TO KEY8190 FROM A BARRIER.  
 4) NEW PCB # 26D3254-02.

NEW PCB 26C4301-00 FOR CA 18 DISPLAY  
 26D3254-03 BOARDS ARE INCORRECT  
 NEW CREST P/N & DRAWING NUMBER WAS ISSUED



NOTE:  
 ADDITIONAL INRUSH LIMITER ADDED, 9/29/98



TITLE: CA 18 DISPLAY			
DRAWN:	DATED:	CODE:	SIZE:
CHECKED: C.MAHONEY	DATED: 9/29/98	DRAWING NO: 4301-00.SCH	REV: 00
QUALITY CONTROL:	DATED:	SCALE:	
RELEASED:	DATED:	SHEET: 1 OF 1	

6

5

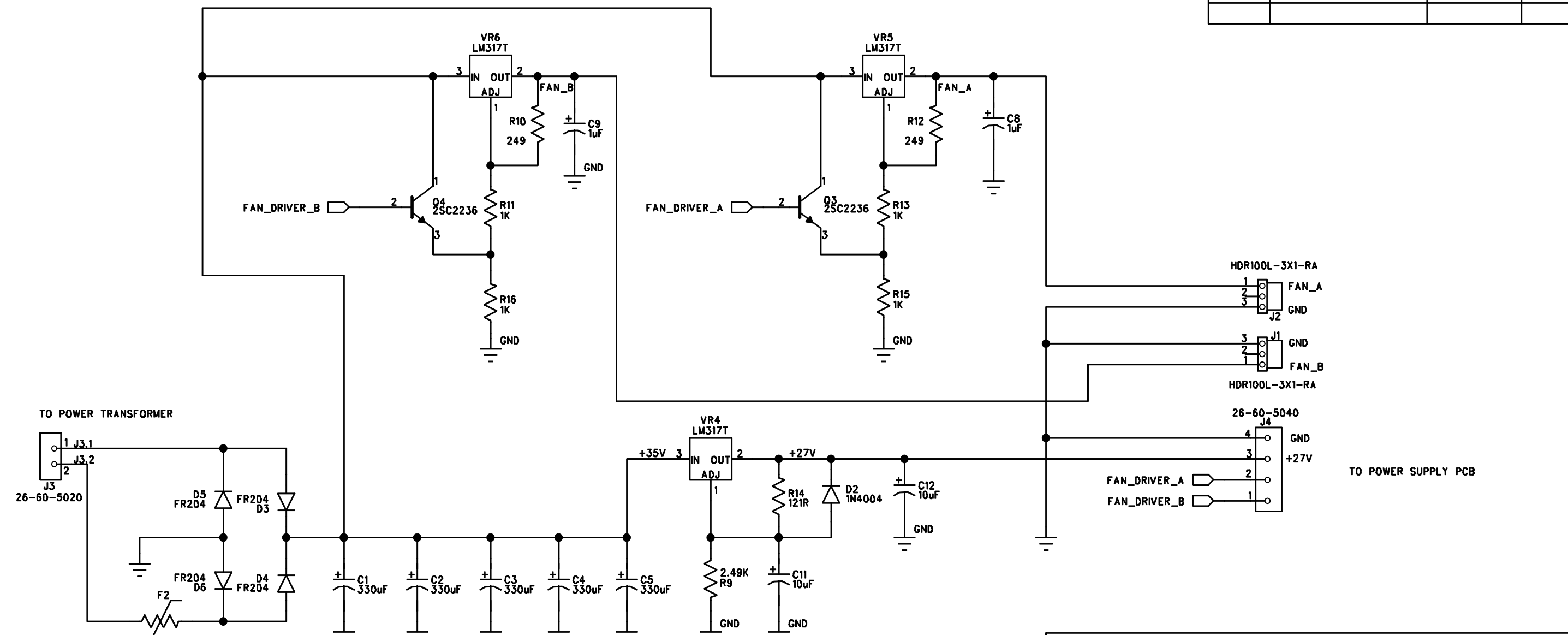
4

3

2

1

REVISION RECORD			
LTR	ECO NO:	APPROVED:	DATE:



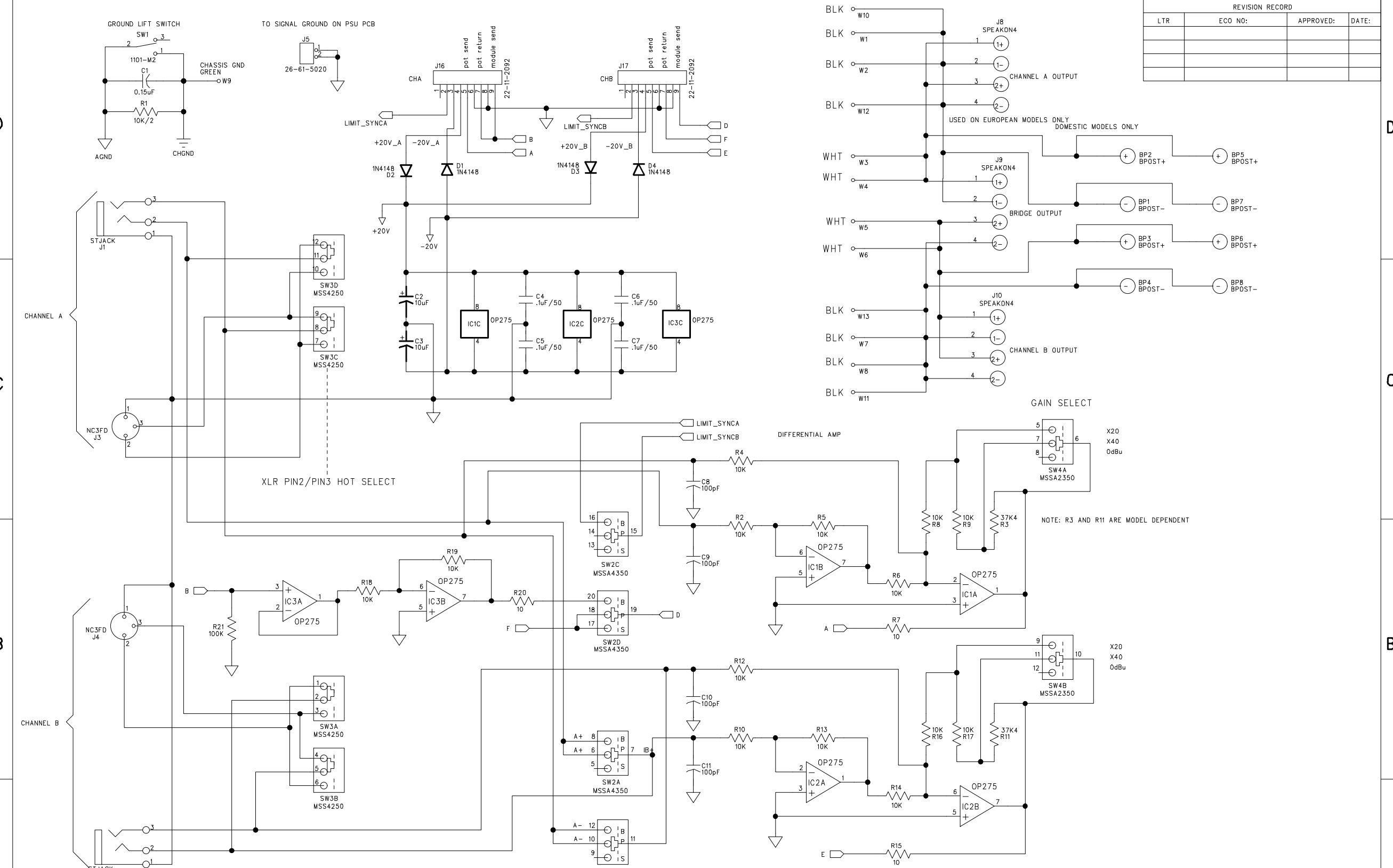
COMPANY: CREST AUDIO INC. 100 EISENHOWER DR. PARAMUS NJ

TITLE: SCHEMATIC  
CA18 FAN DRIVER PC BOARD  
21A3101-00

DRAWN: I. FERSTENBERG	DATED: 2/5/97
CHECKED:	DATED:
QUALITY CONTROL:	DATED:
RELEASED:	DATED:

CODE:	SIZE: B	DRAWING NO: 3101-00.SCH	REV: 00
SCALE:			SHEET: 1 OF 2

REVISION RECORD			
LTR	ECO NO:	APPROVED:	DATE:



MODE SWITCH  
 B= BRIDGE MODE  
 P= PARALLEL MODE  
 S= STEREO MODE

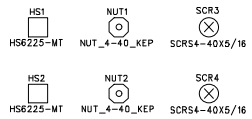
**CREST AUDIO**

TITLE: **SCHEMATIC**  
 CA INPUT PC BOARD  
**21D3098-00**

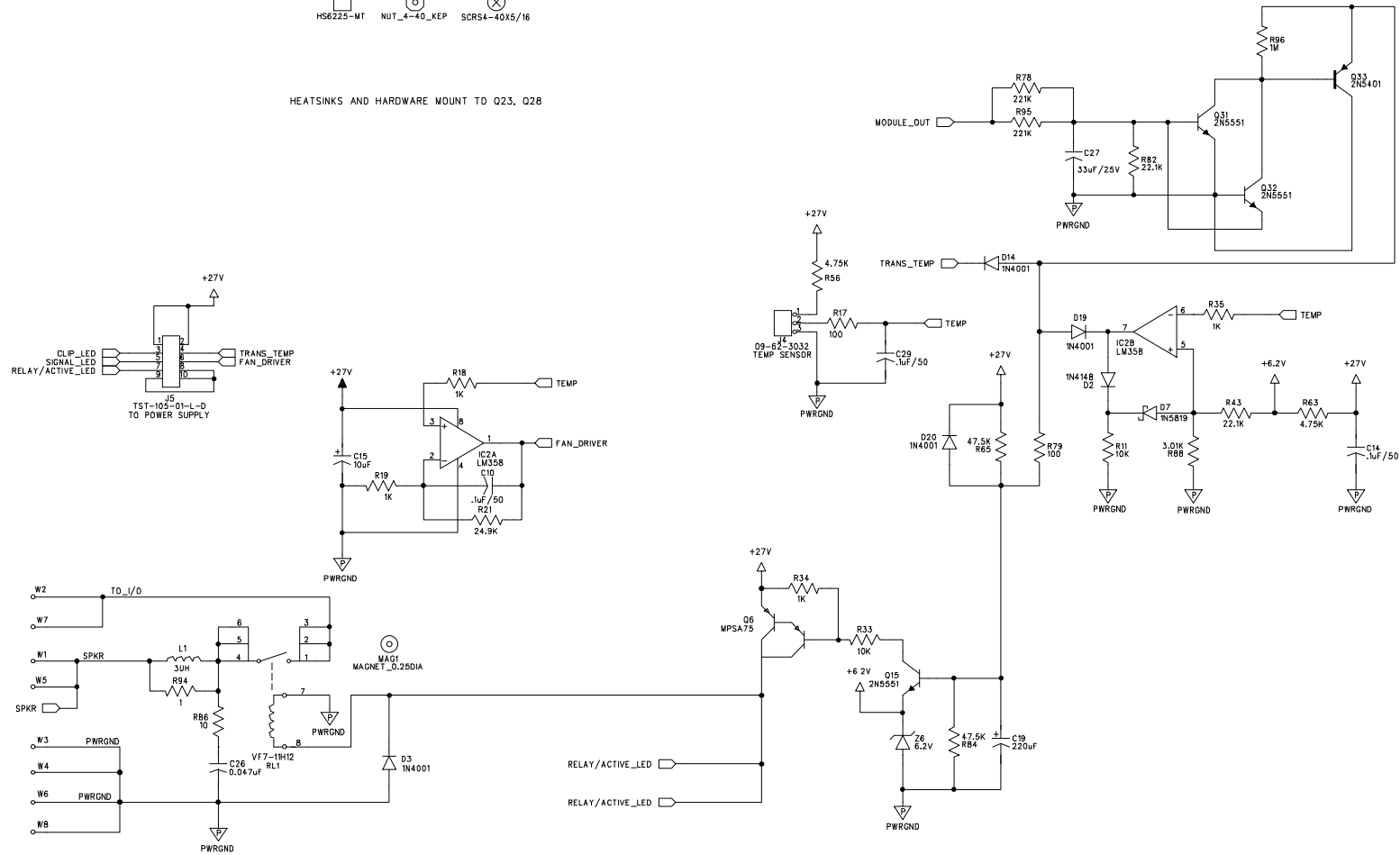
DRAWN: Isaac F.	DATED: 1/22/97	CODE:	SIZE:	DRAWING NO:	REV:
CHECKED:	DATED:	C	3098-00.SCH	00	00
QUALITY CONTROL:	DATED:	SCALE:		SHEET: 1 OF 2	
RELEASED:	DATED:				



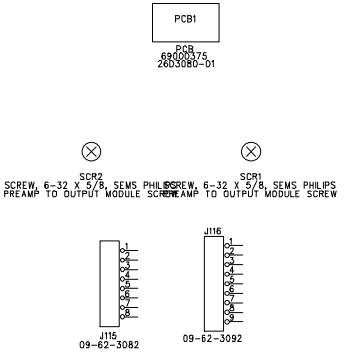
REVISION RECORD			
LTR	ECO NO:	APPROVED:	DATE:



HEATSINKS AND HARDWARE MOUNT TO Q23, Q28



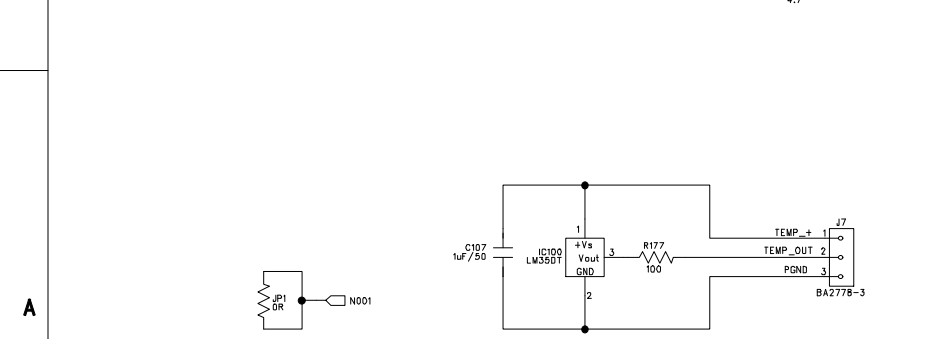
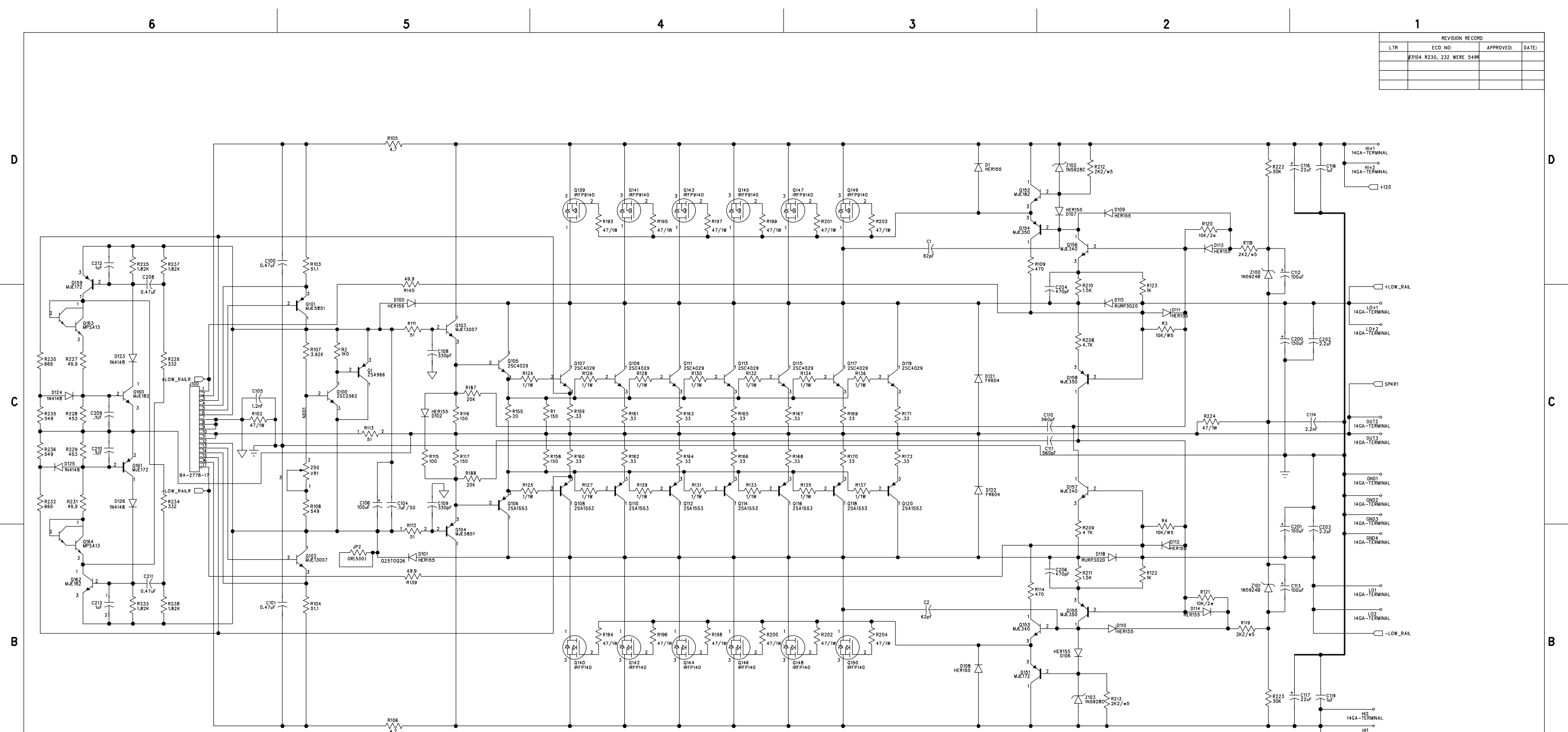
TO IN/OUT PCB  
 FROM OUTPUT PCB  
 TO IN/OUT PCB  
 FROM OUTPUT PCB



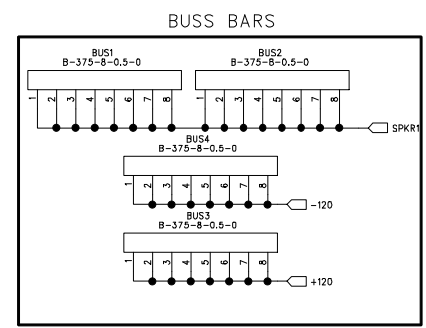
TITLE: CA18 PREAMP PC BOARD  
 21D3080-00

3080-00.SCH 02

REVISION RECORD			
LTR	ECO NO:	APPROVED:	DATE:
	#104 R230, 232 WERE 549H		



REV. NOTES



<b>CREST AUDIO</b>			
TITLE: CA18 OUTPUT MODULE			
DRAWN: I.FERSTENBERG	DATED: 2/18/97	CODE:	REV: 03
CHECKED:	DATED:	SIZE: D	DRAWING NO: 4625-00
QUALITY CONTROL:	DATED:	SCALE:	SHEET: 1 OF 2
RELEASED:	DATED:		

6

5

4

3

2

1

D

D

C

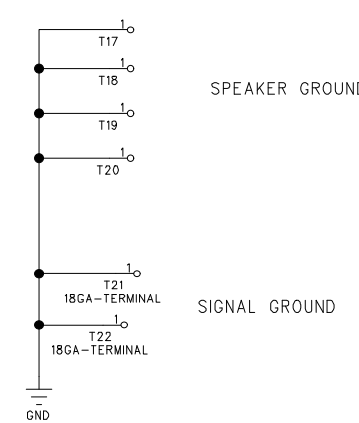
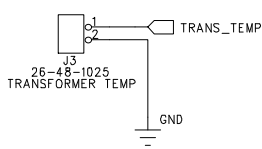
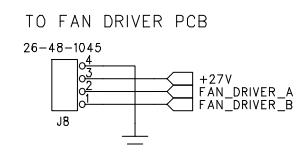
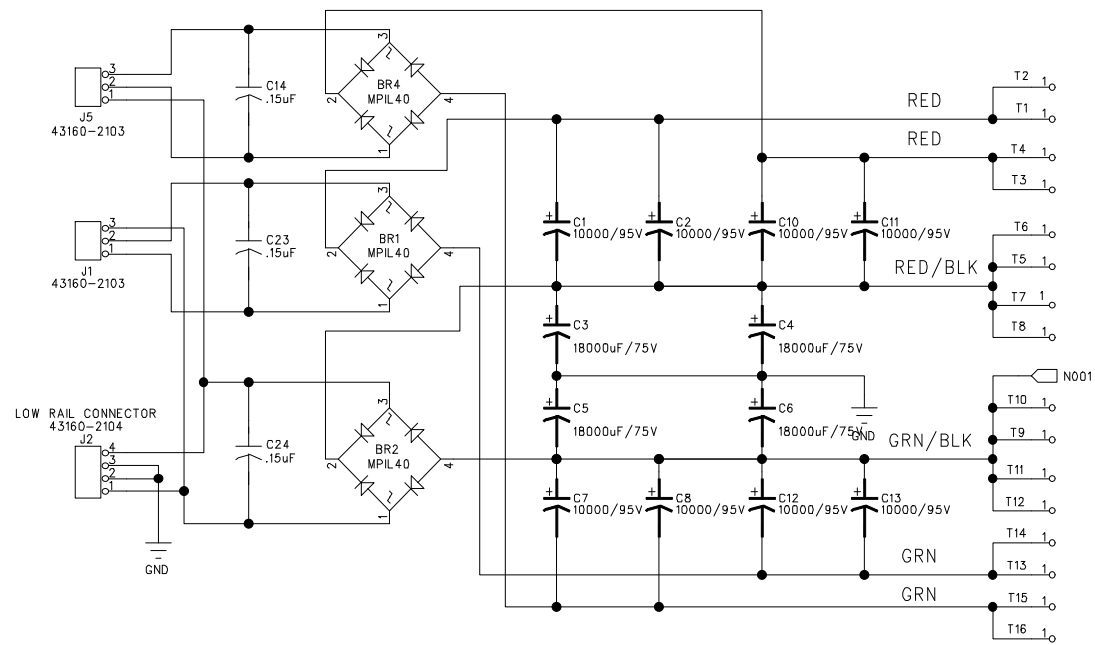
C

B

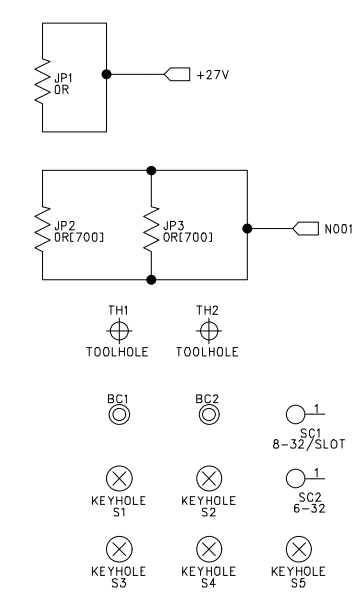
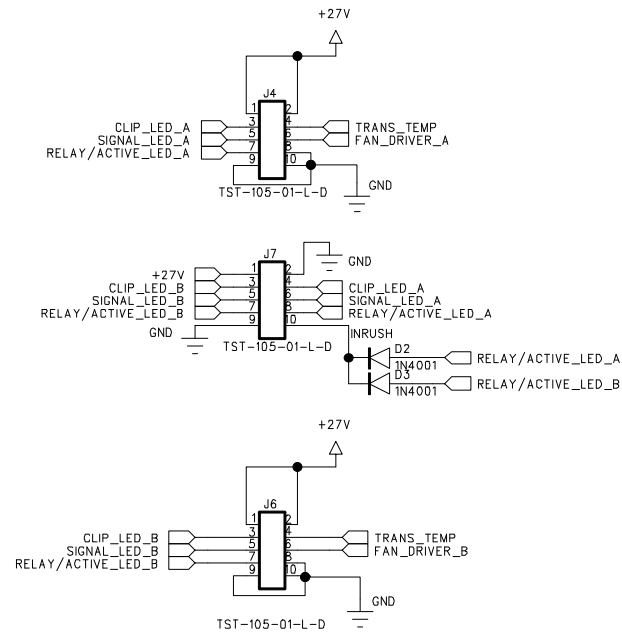
B

A

A



- HIGH RAIL + CHA
- HIGH RAIL + CHB
- LOW RAIL + CHA
- LOW RAIL + CHB
- LOW RAIL - CHA
- LOW RAIL - CHB
- HIGH RAIL - CHA
- HIGH RAIL - CHB



NOTE: REV02 HIGH RAIL CAPS CHANGED TO 10,000uF/95V FROM 9000uF/90V

**CREST AUDIO**

TITLE: SCHEMATIC  
CA18 POWER SUPPLY PC BOARD  
21C3102-01

DRAWN: Isaac F.	DATED: 5/9/97	CODE:	SIZE: C
CHECKED:	DATED:	DRAWING NO: 3102-01.SCH	REV: 01
QUALITY CONTROL:	DATED:	SHEET: 1 OF 2	
RELEASED:	DATED:		