



Pro Series 8002 power amplifiers

1. Display
2. Display interface with PFC storage
3. Input board
4. Preamp page 1
5. Preamp page 2
6. PFC power board
7. PFC control circuit
8. Resonant converter control circuit
9. Suppression filter
10. Output module

6

5

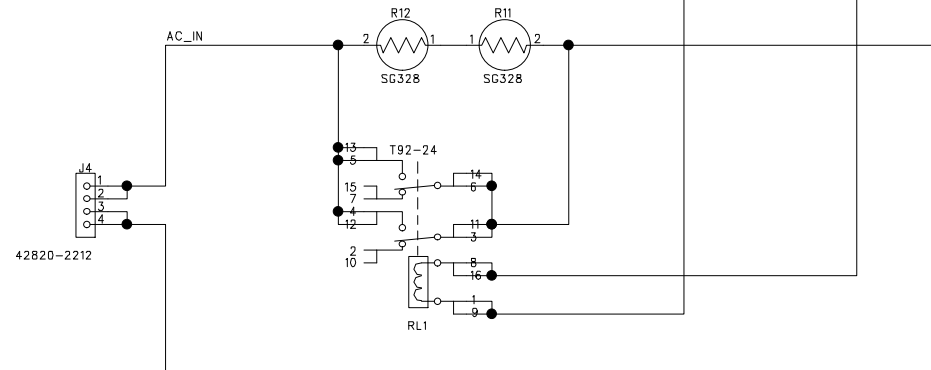
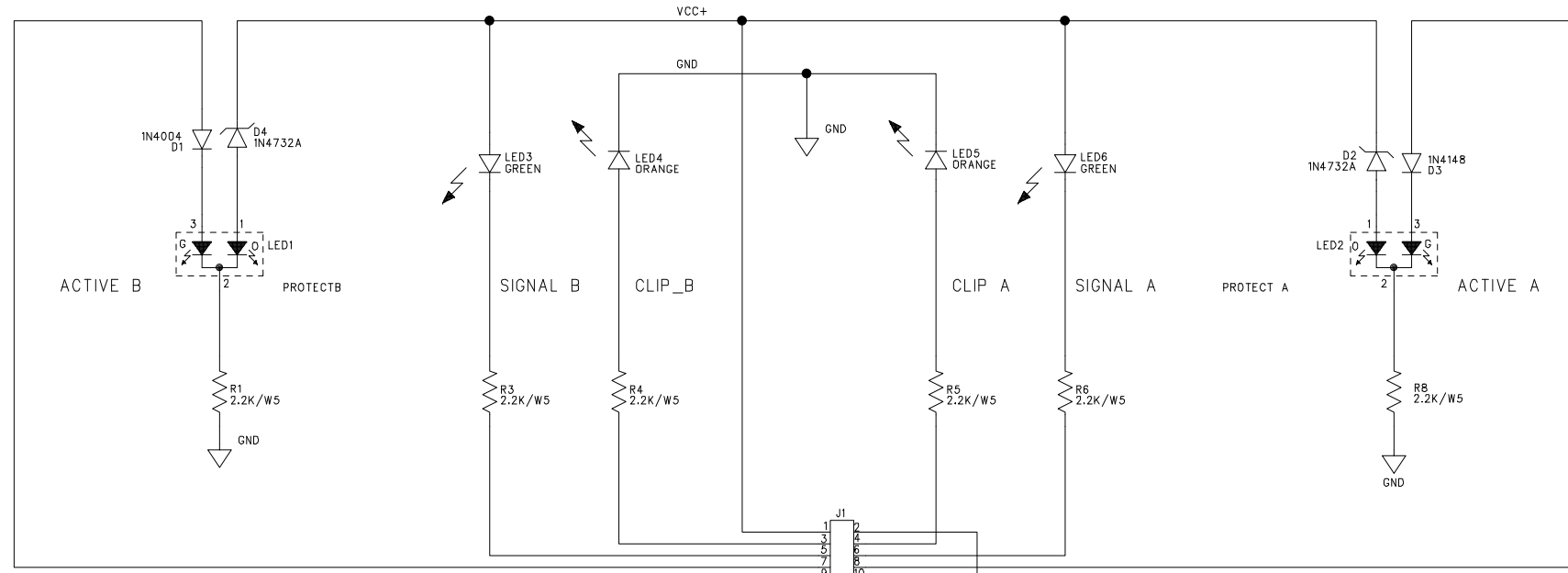
4

3

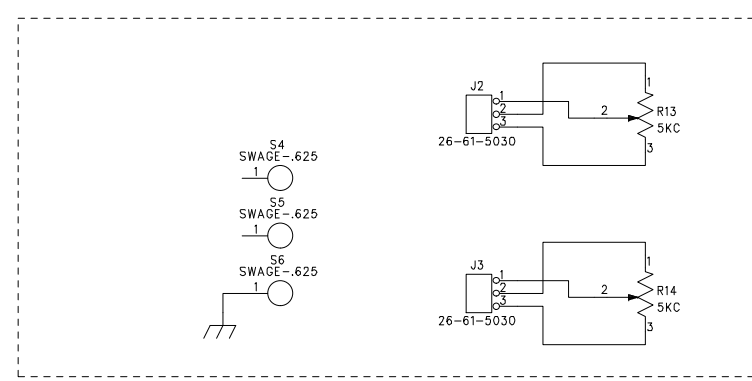
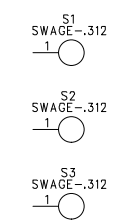
2

1

REVISION RECORD			
LTR	ECO NO:	APPROVED:	DATE:



PCB1
69000393
26C3408 E



THIS SCHEMATIC AGREES WITH PC BOARD 26C 3408-00
DO NOT MAKE CHANGES WITHOUT A ECO.

CREST AUDIO

TITLE: DISPLAY BOARD 8002

DRAWN: BE	DATED: 6/97	CODE:	SIZE: C	DRAWING NO: 21C 3408-00	REV: 00
CHECKED:	DATED:	SCALE:		SHEET: 1 OF 1	

D

D

C

C

B

B

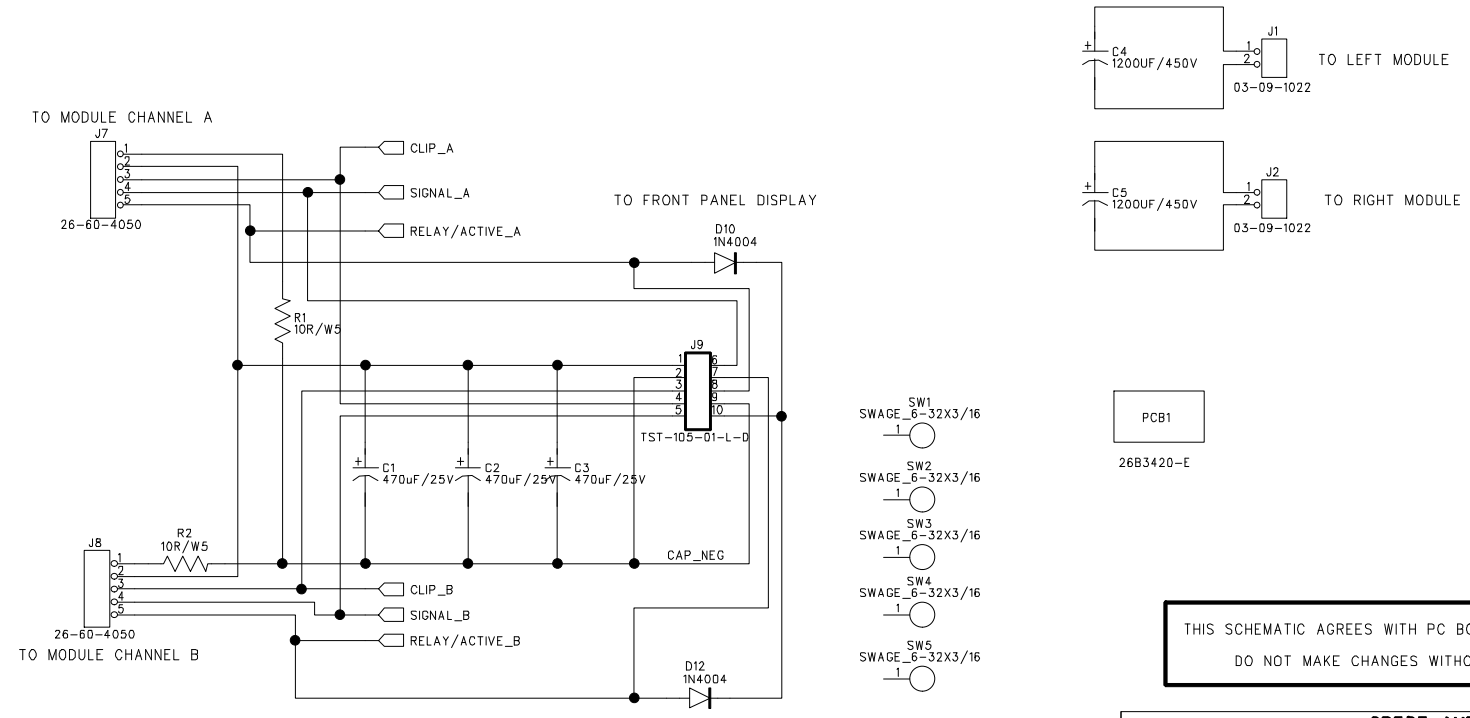
A

A

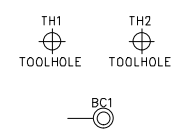
6 5 4 3 2 1

D
C
B
A

REVISION RECORD			
LTR	ECO NO:	APPROVED:	DATE:



THIS SCHEMATIC AGREES WITH PC BOARD 26B 3420-00
DO NOT MAKE CHANGES WITHOUT A ECO.

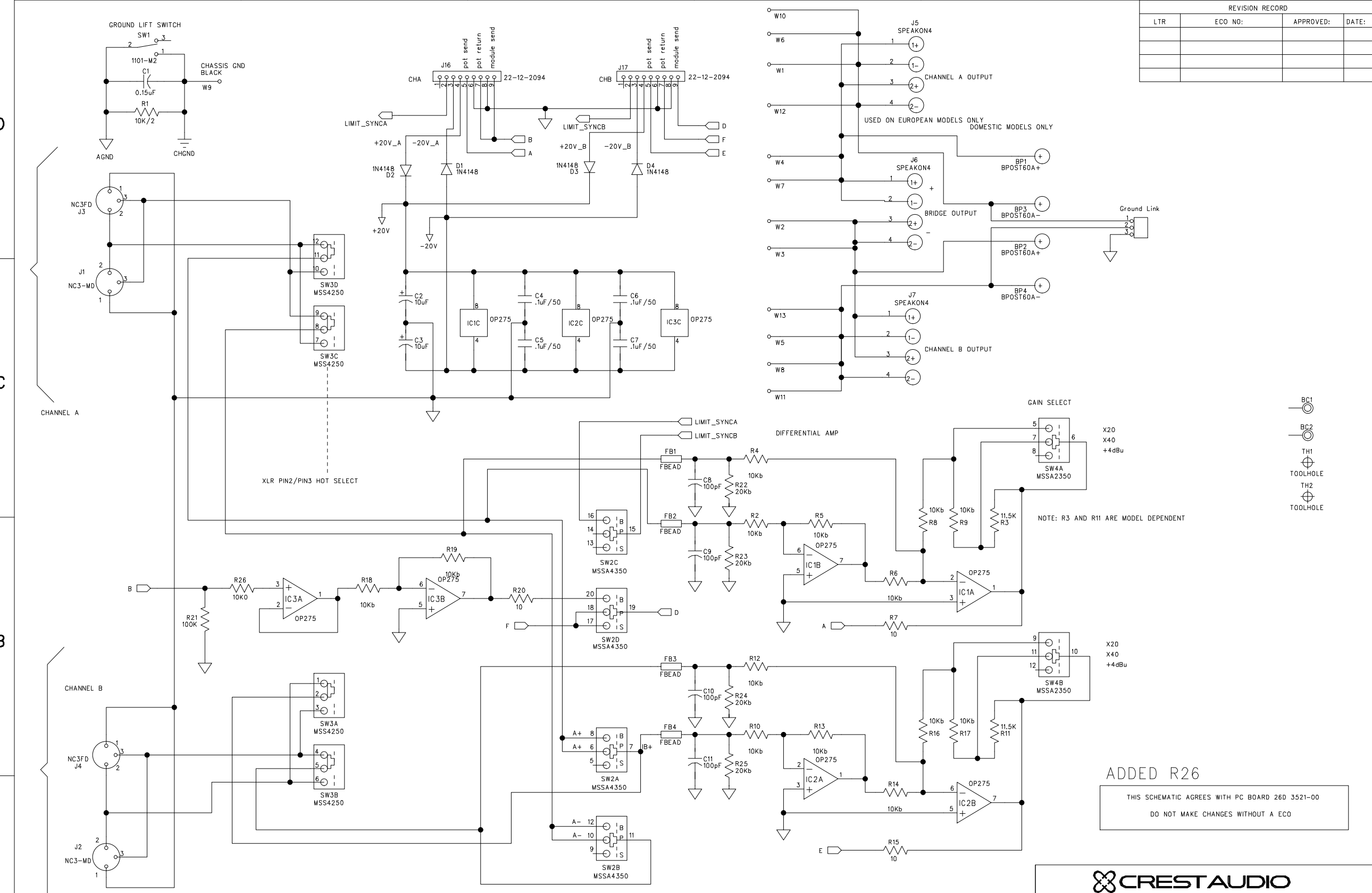


DRAWN: I. FERSTENBERG	DATED: 4/30/98
CHECKED:	DATED:
QUALITY CONTROL:	DATED:
RELEASED:	DATED:

COMPANY: CREST AUDIO 100 EISENHOWER DRIVE PARAMUS, N.J. 07652			
TITLE: 8002 DISPLAY INTERFACE BOARD WITH PFC STORAGE			
CODE:	SIZE: B	DRAWING NO: 21B 3420-00	REV: 00
SCALE:		SHEET: 1 OF 1	

6 5 4 3 2 1

REVISION RECORD			
LTR	ECO NO:	APPROVED:	DATE:



D
C
B
A

D
C
B
A

CHANNEL A

CHANNEL B

XLR PIN2/PIN3 HOT SELECT

MODE SWITCH
 B= BRIDGE MODE
 P= PARALLEL MODE
 S= STEREO MODE

ADDED R26
 THIS SCHEMATIC AGREES WITH PC BOARD 26D 3521-00
 DO NOT MAKE CHANGES WITHOUT A ECO

- BC1
- BC2
- TH1
- TH2
- TOOLHOLE
- TOOLHOLE

CREST AUDIO

TITLE: 8002 INPUT PC BOARD

DRAWN: Isaac F.	DATED: 7/10/97	CODE:	SIZE: C	DRAWING NO: 21C 3521-00	REV: 00
CHECKED:	DATED:	SCALE:	SHEET: 1 OF 2		
QUALITY CONTROL:	DATED:				
RELEASED:	DATED:				

REVISION RECORD			
LTR	ECO NO:	APPROVED:	DATE:

D

C

B

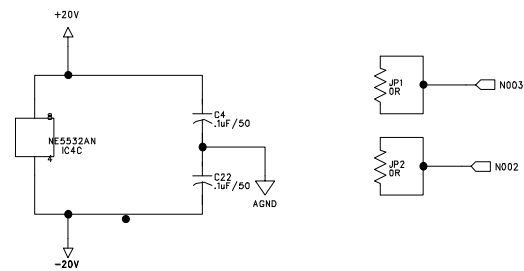
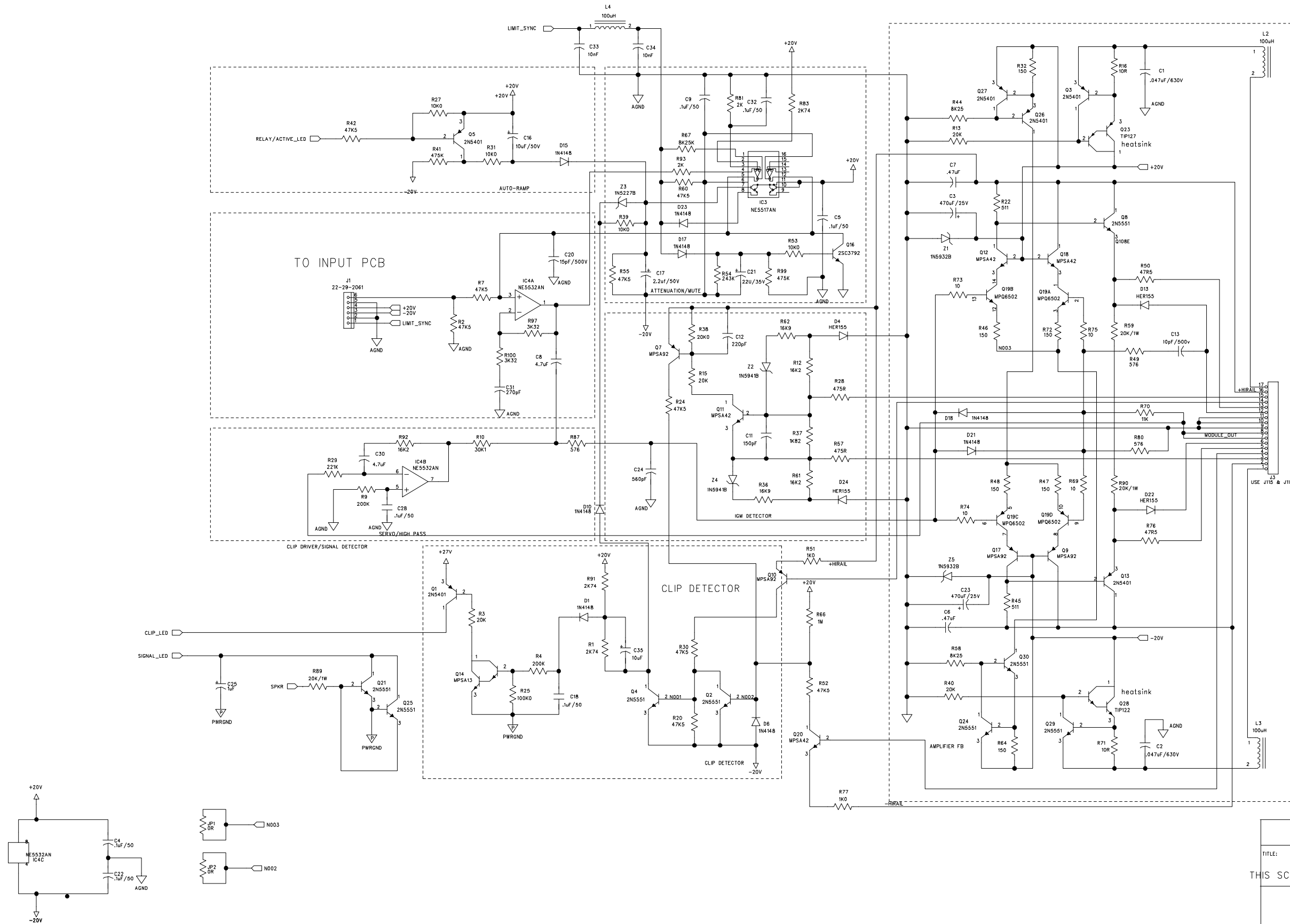
A

D

C

B

A



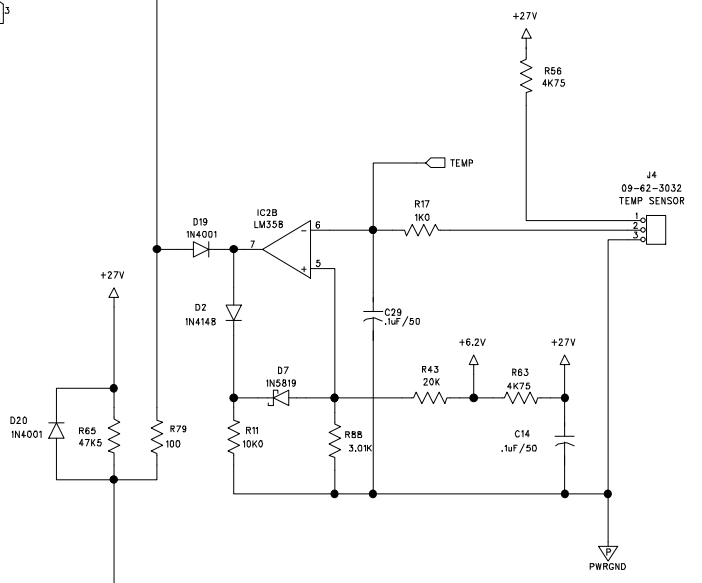
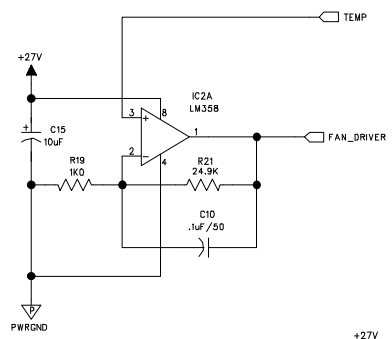
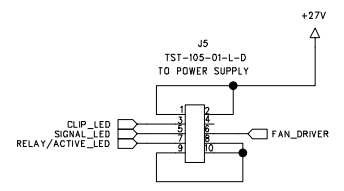
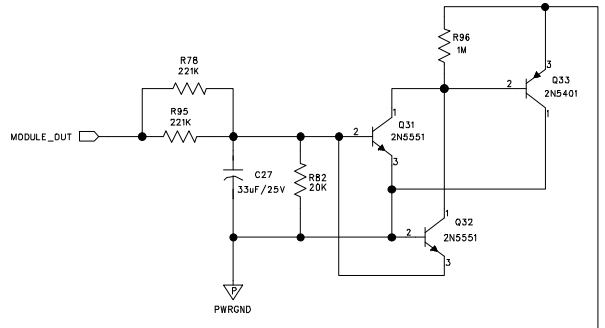
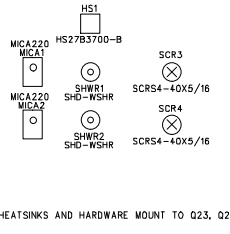
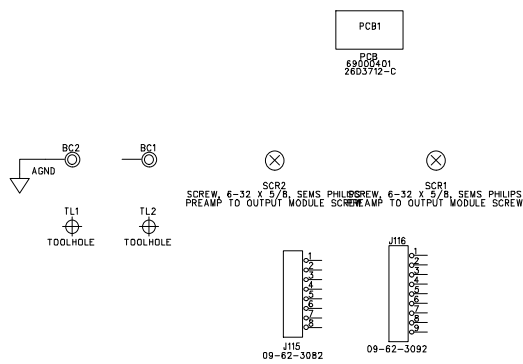
CRESTAUDIO

TITLE: PRO2 PREAMP
THIS SCH. REV 00 AGREES WITH PCB REV. C (00)

21D3712-00 SCH D

Isaac Ferstenberg 4/15/98 SHEET 1 OF 2

REVISION RECORD			
LTR	ECD NO:	APPROVED:	DATE:

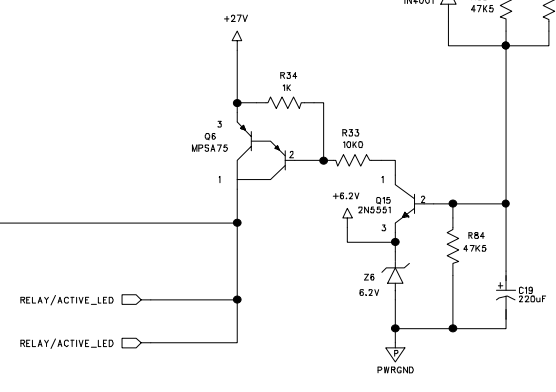
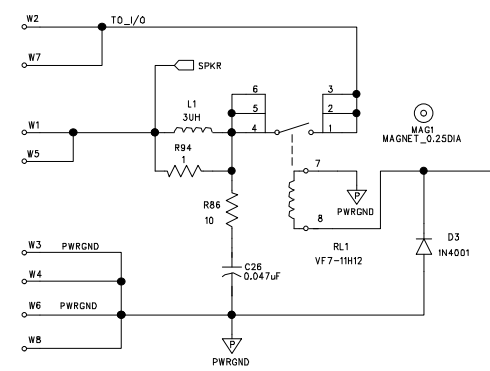


TO IN/OUT PCB

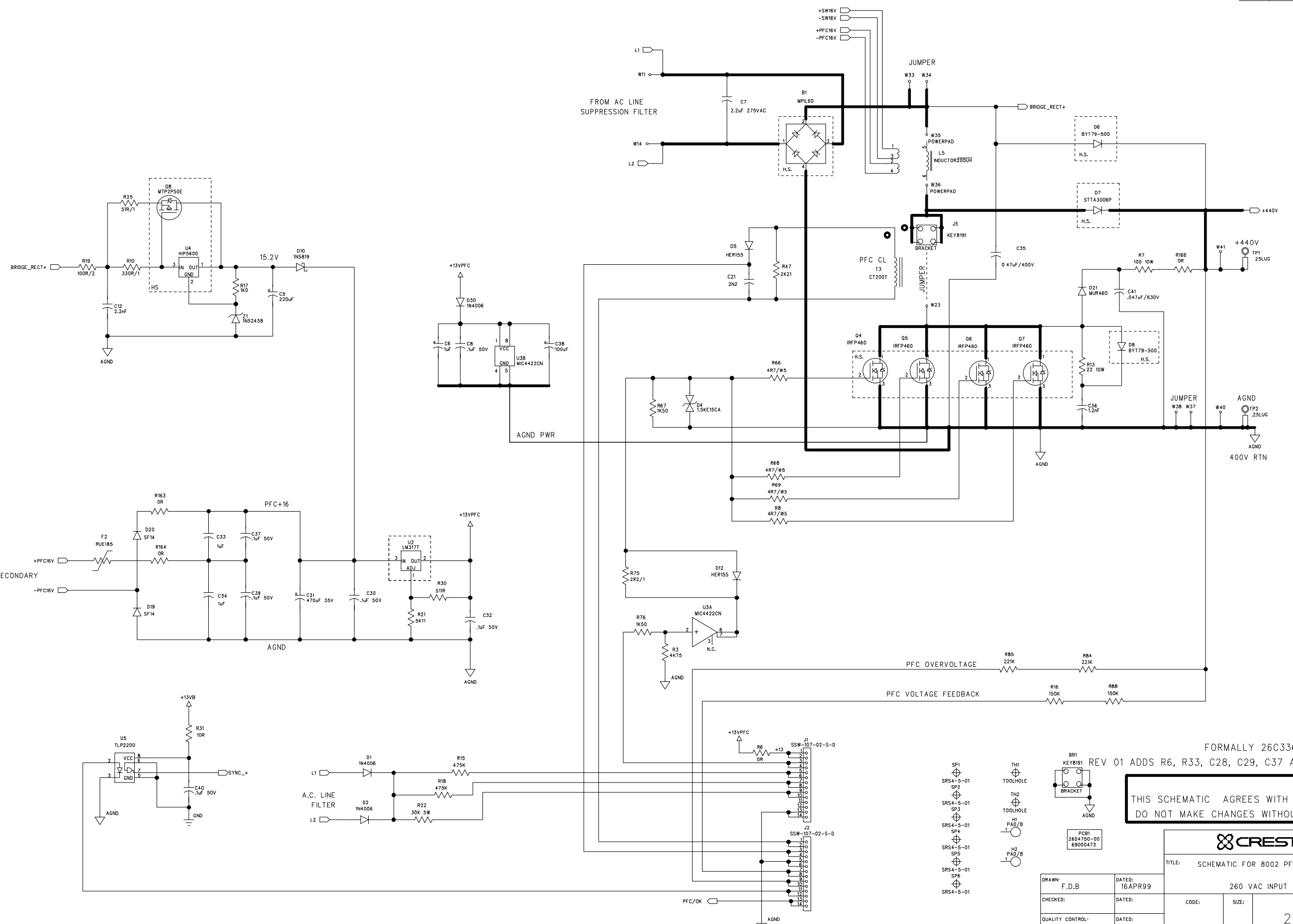
FROM OUTPUT PCB

TO IN/OUT PCB

FROM OUTPUT PCB



REVISION RECORD			
LTR	ECO NO:	APPROVED:	DATE:



FORMALLY 26C3367-01
 REV 01 ADDS R6, R33, C28, C29, C37 AND C39
 THIS SCHEMATIC AGREES WITH PC BD 26C4720-00
 DO NOT MAKE CHANGES WITHOUT A ECO

DRAWN: F.D.B	DATED: 16APR99
CHECKED:	DATED:
QUALITY CONTROL:	DATED:
RELEASED:	DATED:

TITLE: SCHEMATIC FOR 8002 PFC POWER BOARD	
260 VAC INPUT	
CODE:	SIZE:
DRAWING NO: 26C4720	
REV: 00	
SCALE:	SHEET: 1 OF 2

6

5

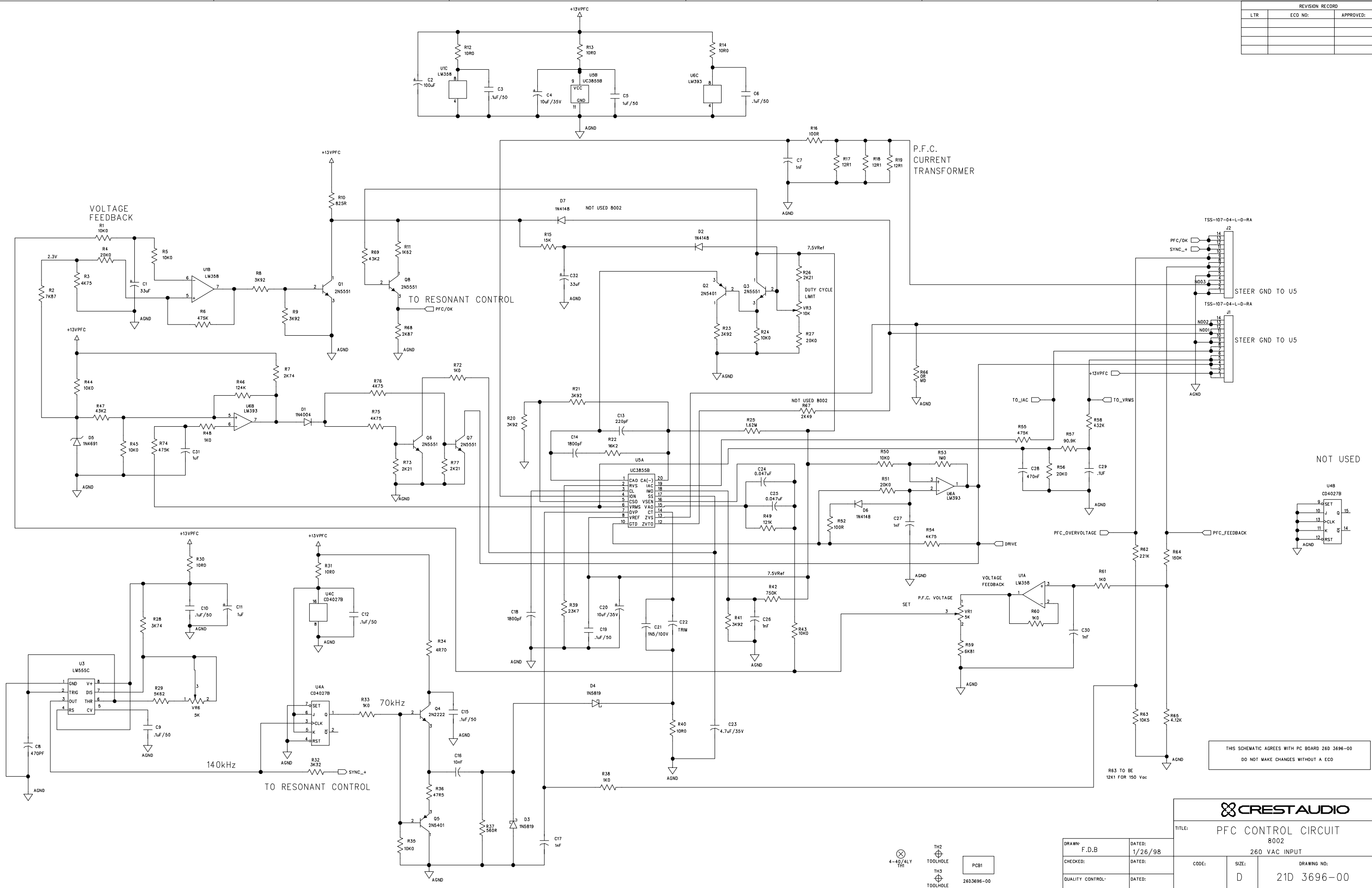
4

3

2

1

REVISION RECORD			
LTR	ECO NO:	APPROVED:	DATE:

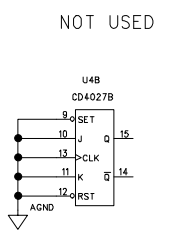
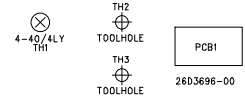


THIS SCHEMATIC AGREES WITH PCB BOARD 260 3696-00
DO NOT MAKE CHANGES WITHOUT AN ECO

CREST AUDIO

TITLE: PFC CONTROL CIRCUIT 8002
260 VAC INPUT

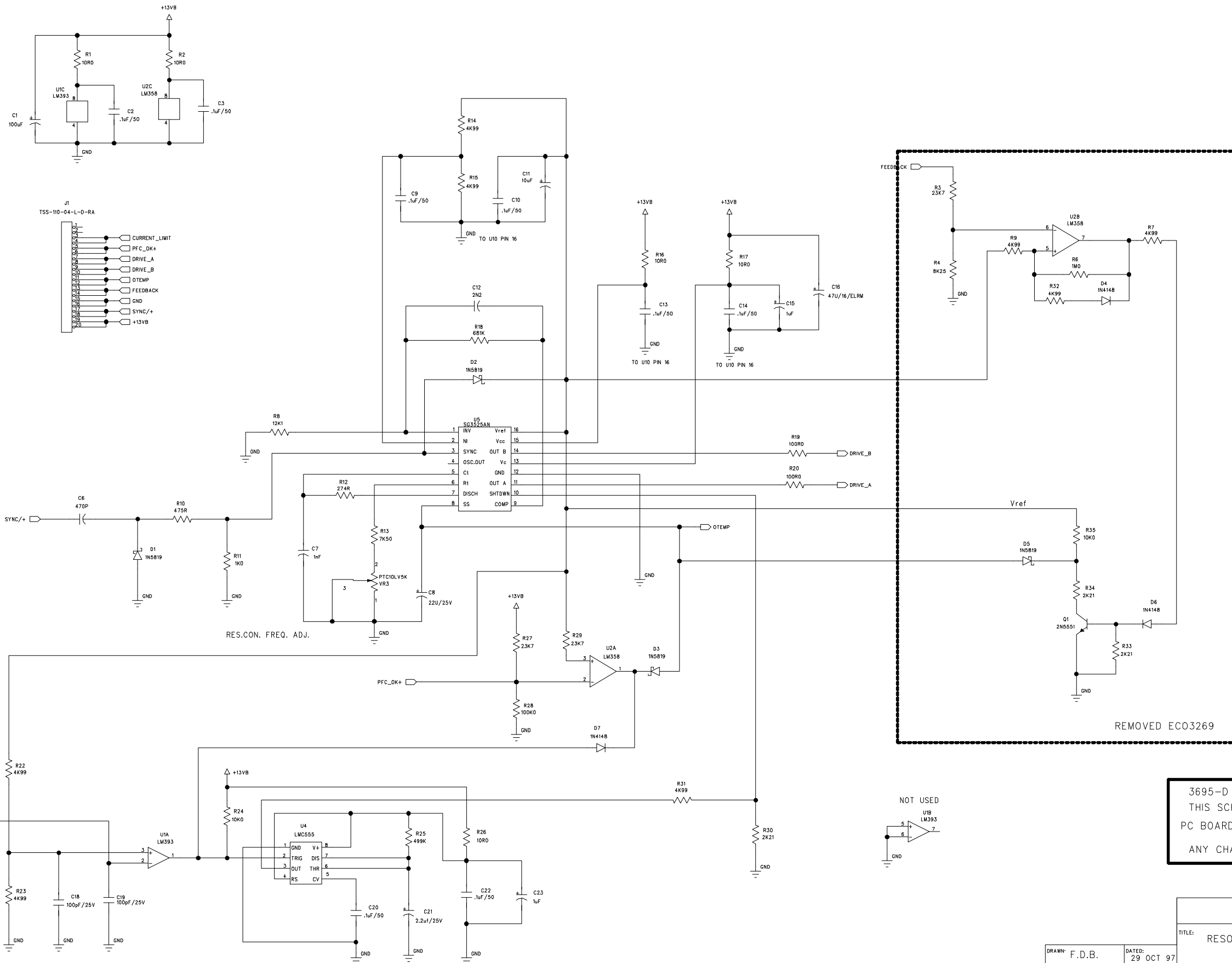
DRAWN: F.D.B	DATED: 1/26/98	CODE:	SIZE: D	DRAWING NO: 21D 3696-00	REV: 00
CHECKED:	DATED:	RELEASED:	DATED:	SCALE:	SHEET: 1 of 1



D
C
B
A

D
C
B
A

REVISION RECORD			
LTR	ECO NO:	APPROVED:	DATE:



PCB1
26D3695-00
69000397

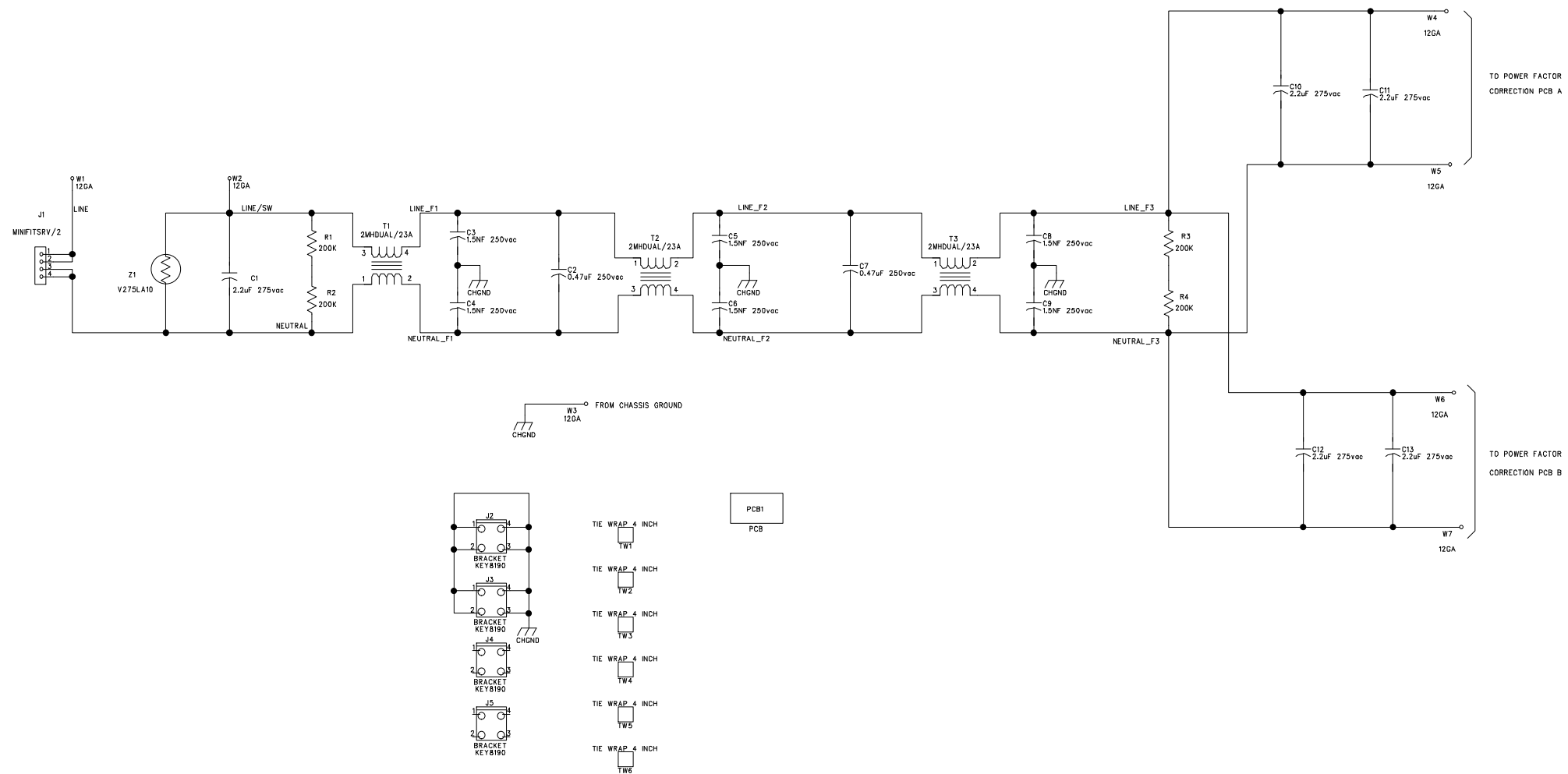
TL1
TOOLHOLE
TL2
TOOLHOLE

BC1

3695-D BECAME 3695-00
THIS SCHEMATIC AGREES WITH
PC BOARD 26D 3695-00. DO NOT MAKE
ANY CHANGES WITHOUT A ECO

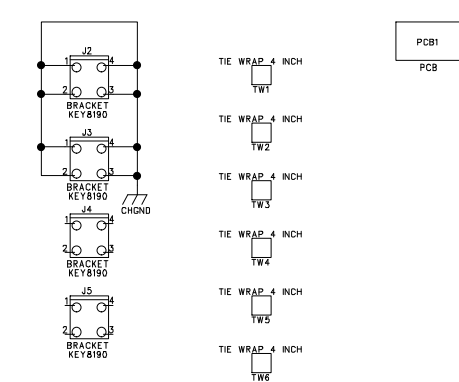
CREST AUDIO			
TITLE: RESONANT CONVERTER CONTROL CIRCUIT			
8002			
DRAWN: F.D.B.	DATED: 29 OCT 97	CODE:	REV: 00
CHECKED:	DATED:	SIZE:	DRAWING NO: 3695
QUALITY CONTROL:	DATED:	SCALE:	SHEET: 1 OF 1
RELEASED:	DATED:		

REVISION RECORD			
LTR	ECO NO:	APPROVED:	DATE:



TO POWER FACTOR
CORRECTION PCB A

TO POWER FACTOR
CORRECTION PCB B



THIS SCHEMATIC AGREES WITH PC BOARD 26D 3409-00
DO NOT MAKE CHANGES WITHOUT A ECO

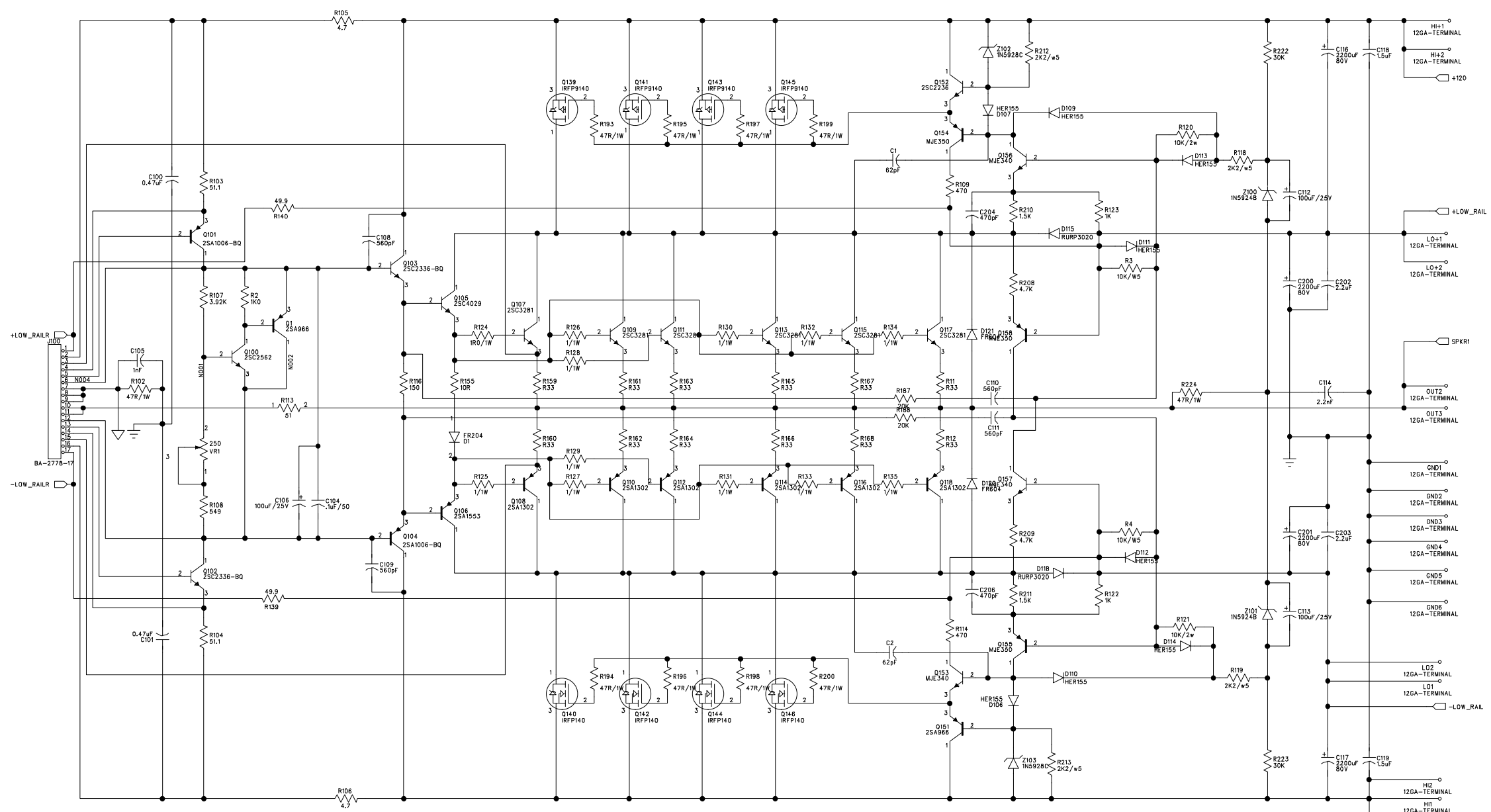
CREST AUDIO

TITLE: SUPPRESSION FILTER BOARD

8002

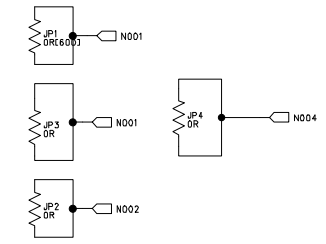
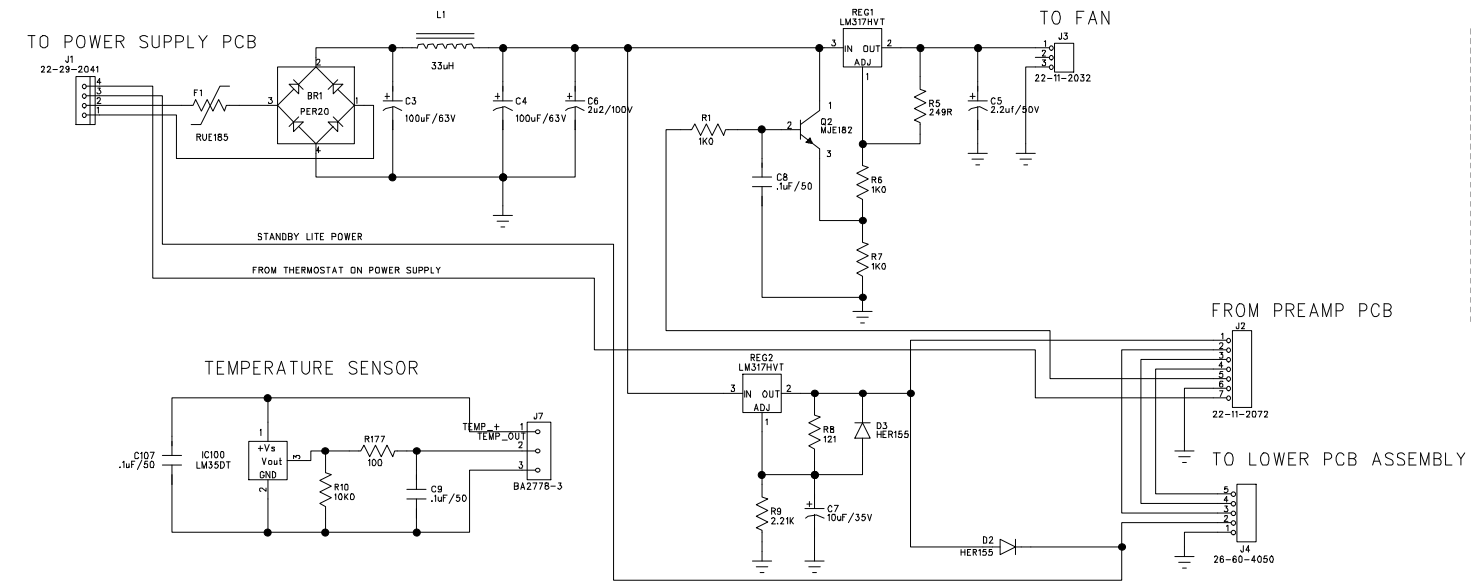
DRAWN: BE	DATED: 6/97	CODE:	SIZE: D	DRAWING NO: 21D 3409-00	REV: 00
CHECKED:	DATED:	SCALE:	SHEET: 10F 1		
QUALITY CONTROL:	DATED:				
RELEASED:	DATED:				

REVISION RECORD			
LTR	ECO NO:	APPROVED:	DATE:



REV. NOTES

COPIED AND RENAMED 3529-E TO 3529-00



DRAWN: I.FERSTENBERG		DATED: 5/6/98		CODE: D		DRAWING NO: 21D3529-00		REV: 0	
RELEASED:		DATED:		SCALE:		SHEET: 1 OF 2		CREST AUDIO	

D
C
B
A

D
C
B
A