



# **XD5110**

---

## **INSTALLATION/OWNERS MANUAL** **AM/FM/CD Receiver**





# Preparation

Please read entire manual before installation.

### Before You Start

- Disconnect negative battery terminal.  
(consult a qualified technician for instructions)
- Avoid installing the unit where it would be subject to high temperatures, such as from direct sunlight, or where it would be subject to dust, dirt or excessive vibration.

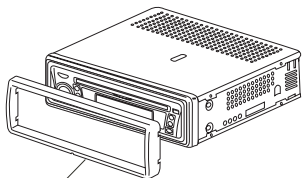
### Getting Started

- Remove 2 transit screws located on top of the unit.
- Remove trim ring by pulling up gently in the center.
- Insert the supplied keys into the slots as shown, and slide the unit out of the mounting sleeve.
- Install mounting sleeve into opening, bending tabs to secure.
- Connect wiring harness and antenna.  
(consult a qualified technician if you are unsure)
- Certain vehicles may require an installation kit and/or wiring harness adapter (sold separately).
- Test for correct operation and slide into mounting sleeve to secure.
- Snap trim ring into place.

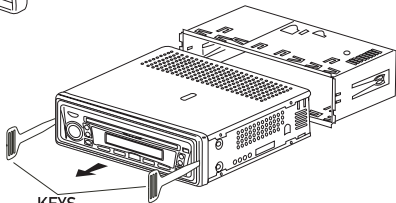
# XD5110 INSTALLATION



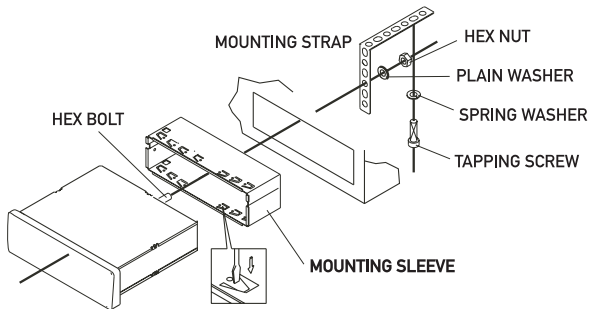
## Installation



TRIM RING



KEYS

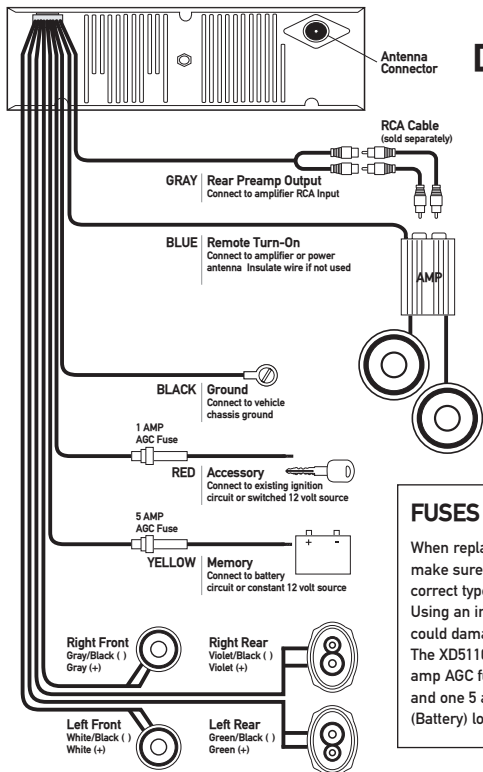


TYPICAL MOUNTING METHOD



## XD5110 INSTALLATION

# Wiring Diagram



### FUSES

When replacing fuses, make sure new fuse is the correct type and amperage. Using an incorrect fuse could damage the radio. The XD5110 uses one 1 amp AGC fuse (Ignition) and one 5 amp AGC fuse (Battery) located in-line.

\* CAUTION - Do not attach any speaker leads to ground as severe damage will occur.

## Control Locations




- |                            |                        |
|----------------------------|------------------------|
| ① Power                    | ⑧ Play/Pause           |
| ② Volume                   | ⑨ Bass Boost/CD Random |
| ③ Track Up/Down            | ⑩ Mono/Stereo/CD Intro |
| ④ Eject                    | ⑪ Reset                |
| ⑤ Band                     | ⑫ Audio                |
| ⑥ Display                  | ⑬ Tuning               |
| ⑦ Local/Distance/CD Repeat |                        |



### General Operation

<b>Power On/Off</b>	Press <b>PWR</b> to turn the unit on. Inserting a CD will turn the unit on automatically. Press <b>PWR</b> to turn the unit off.
<b>CD Mode</b>	Insert a CD or press <b>▶/  </b> to begin or resume playback.
<b>Tuner Mode</b>	Press <b>PWR</b> or <b>BAND</b> to begin or resume tuner operation.
<b>Bass Boost</b>	Press <b>BASS</b> to activate and deactivate bass boost curve. Activating this feature will enhance the bass frequencies when listening to music at low volumes.
<b>Volume</b>	Adjust volume using <b>VOL ▲</b> or <b>VOL ▼</b> (0-63).
<b>Display</b>	Press <b>DISP</b> to display the clock. The radio frequency (tuner mode) or CD track/elapsed time (CD player mode) show by default.
<b>Set the Clock</b>	Press and hold <b>DISP</b> until the clock begins to flash, then release. Press <b>TRACK &lt;&lt;</b> to adjust the hours and <b>TRACK &gt;&gt;</b> to adjust the minutes. Press <b>DISP</b> momentarily to save the selected time.

## General Operation

<b>Reset</b>	Press and hold for more than 2 seconds to <b>RESET</b> the unit upon initial installation or if abnormal operation occurs.
<b>Audio</b>	Press <b>AUD</b> to select between Volume (default), Bass, Treble, Balance & Fader.  
<b>Bass</b>	Press <b>AUD</b> until <b>BAS</b> appears Press <b>VOLUME</b> ▼ or ▲ to adjust (7 maximum / -7 minimum)
<b>Treble</b>	Press <b>AUD</b> until <b>TRE</b> appears Press <b>VOLUME</b> ▼ or ▲ to adjust (7 maximum / -7 minimum)
<b>Balance</b>	Press <b>AUD</b> until <b>BAL</b> appears Press <b>VOLUME</b> ▼ ( <b>LEFT</b> ) or ▲ ( <b>RIGHT</b> ) to adjust ( <b>BA.L 10/BA.R 10</b> ) <b>BAL 0</b> represents equal balance.
<b>Fader</b>	Press <b>AUD</b> until <b>FAD</b> appears Press <b>VOLUME</b> ▲ ( <b>FRONT</b> ) or ▼ ( <b>REAR</b> ) to adjust ( <b>FA.F 10/FA.R 10</b> ) <b>FAD 0</b> represents equal fader.



### Tuner Operation

<b>Tuning</b>	Turn <b>TUNE</b> knob to select desired station.
<b>FM Mono/Stereo</b>	Press <b>MONO</b> during FM tuner operation to select mono or stereo (default) reception of the broadcast signal.
<b>Local/Distance</b>	Press <b>LOC</b> to activate local tuning for strong station reception only. Press <b>LOC</b> again to cancel and resume Distance tuning (default).
<b>Band</b>	Press <b>BAND</b> to select between FM and AM bands.



## CD Player Operation

<b>Insert CD</b>	With the label facing up, insert a standard CD into the CD slot. The CD will automatically begin playback.
<b>Eject CD</b>	Press the <b>EJECT</b> button to stop and eject the CD. The unit will change to tuner mode. If the disc is not removed within 10 seconds, the unit will reload the disc.
<b>Track Select</b>	Press <b>TRACK &gt;&gt;</b> to skip to the beginning of the next track. Press <b>TRACK &lt;&lt;</b> to return to the beginning of the current track. Pressing <b>TRACK &lt;&lt;</b> again skips to the beginning of the previous track.
<b>Fast Forward and Reverse</b>	Press and hold <b>TRACK &lt;&lt;</b> or <b>TRACK &gt;&gt;</b> to fast forward or reverse a track.
<b>Pause</b>	Press <b>▶/  </b> to temporarily stop CD playback. Press <b>▶/  </b> again to resume playback.
<b>Intro</b>	Press <b>INT</b> to play the first 10 seconds of each track. Press <b>INT</b> to cancel.
<b>Repeat</b>	Press <b>RPT</b> to continuously repeat selected track. Press <b>RPT</b> to cancel.
<b>Random</b>	Press <b>RDM</b> for more than 2 seconds to play all tracks in random order. Press <b>RDM</b> again for more than 2 seconds to cancel.
<b>CD-R/CD-RW Compatibility</b>	Some CD-Rs and CD-RWs may be incompatible with this unit, depending on media type and recording method.



## XD5110 WARRANTY

# Limited One-Year Warranty

This warranty gives you specific legal rights. You may also have other rights which vary from state to state.

Namsung America Inc. warrants this product to the original purchaser to be free from defects in material and workmanship, under normal conditions, for a period of one year from the date of the original purchase.

Namsung America agrees, at our option, during the warranty period, to repair any defect in material or workmanship or to furnish an equal new or renewed product in exchange without charges, subject to verification of the defect or malfunction and proof of the date of purchase.

During the One-Year Warranty Period: For One Year from the date of purchase, your product will be replaced with a new, renewed or comparable product (whichever is deemed necessary) if it becomes defective or inoperative. This is done without charge to you. Replacement products are warranted for the balance of the original warranty period.

**Who is covered?** This warranty is extended to the original retail purchaser for products purchased and used in the U.S.A., in the 48 contiguous states ONLY.

**What is covered?** This warranty covers all defects in material and workmanship in this product. The following are not covered:

installation/removal costs, damage resulting from accident, misuse, abuse, neglect, product modification, improper installation, incorrect line voltage, unauthorized repair or failure to follow instructions supplied with the product, or damage occurring during return shipment of the product.

**What to do?** If the product requires warranty service, you must prepay the initial shipping charges. DUAL will pay the return shipping charges if the product is returned to an address within the USA.

Namsung America Inc.  
Attn: Returns Center  
21318 64th Ave. South  
Kent, WA 98032 U.S.A.  
Toll Free: 1-866-626-7863

**Exclusion of Certain Damages:** This warranty is exclusive and in lieu of any and all other warranties, expressed or implied, including without limitation the implied warranties of merchantability and fitness for a particular purpose and any obligation, liability, right, claim or remedy in contract or tort, whether or not arising from the company's negligence, actual or imputed. No person or representative is authorized to assume for the company any other liability in connection with the sale of this product. In no event shall the company be liable for indirect, incidental or consequential damages.



---

## Specifications

<b>CD Player</b>	Signal-to-noise: <b>&gt;86dB</b> Frequency response: <b>20Hz-20kHz</b> Channel separation @ 1kHz: <b>&gt;65dB</b> D/A converter: <b>1 Bit</b>
<b>FM Tuner</b>	Tuning range: <b>87.5MHz-107.9MHz</b> Usable sensitivity: <b>12dBf</b> 50dB quieting sensitivity: <b>16dBf</b> Stereo separation @ 1kHz: <b>40dB</b> Frequency response: <b>30Hz-13kHz</b>
<b>AM Tuner</b>	Tuning range: <b>530kHz-1720kHz</b> AM sensitivity: <b>30uV</b> Frequency response: <b>80Hz-2kHz</b>
<b>General</b>	Total power output: <b>100 Watts Peak</b> Power output: <b>25Wx4 @ 4 ohms, 14.4 VDC</b> Operating voltage: <b>11-16 VDC, negative ground</b> Speaker output impedance: <b>4~8 ohms</b> Fuses: <b>1 amp fast blow AGC, 5 amp fast blow AGC</b> Dimensions: <b>7" x 7" x 2" (178 x 178 x 51 mm)</b>

Design and specifications subject to change without notice



## XD5110 OPERATION

# Troubleshooting

Problem	Cause	Action
Unit will not turn on (no power)	Yellow or red wire not connected or incorrect voltage	Check connections for proper voltage (11~16VDC)
	Black wire not connected	Check connection to ground
	Fuse blown	Replace fuse
Unit has power (but no sound)	Speaker wires not connected	Check connections at speakers
	One or more speaker wires touching each other or touching chassis ground	Insulate all bare speaker wires from each other and chassis ground
Unit blows fuses	Yellow or red wire touching chassis ground	Check for pinched wire
	Speaker wires touching chassis ground	Check for pinched wire
	Incorrect fuse rating	Use fuse with correct rating
Excessive skipping	Unit is not mounted correctly or backstrap is not secure	Check mounting sleeve and backstrap support
	Physical defect in media (CD, CD-R or CD-RW)	Check media for scratches
Err appears on display	Load/Eject operation error	Press eject or RESET

Namsung America Inc.  
21318 64th Ave. South  
Kent, WA 98032  
Toll Free: 1-866-626-7863

[www.dualav.com](http://www.dualav.com)  
©2004 Namsung America, Inc.  
EVOK0104-V02