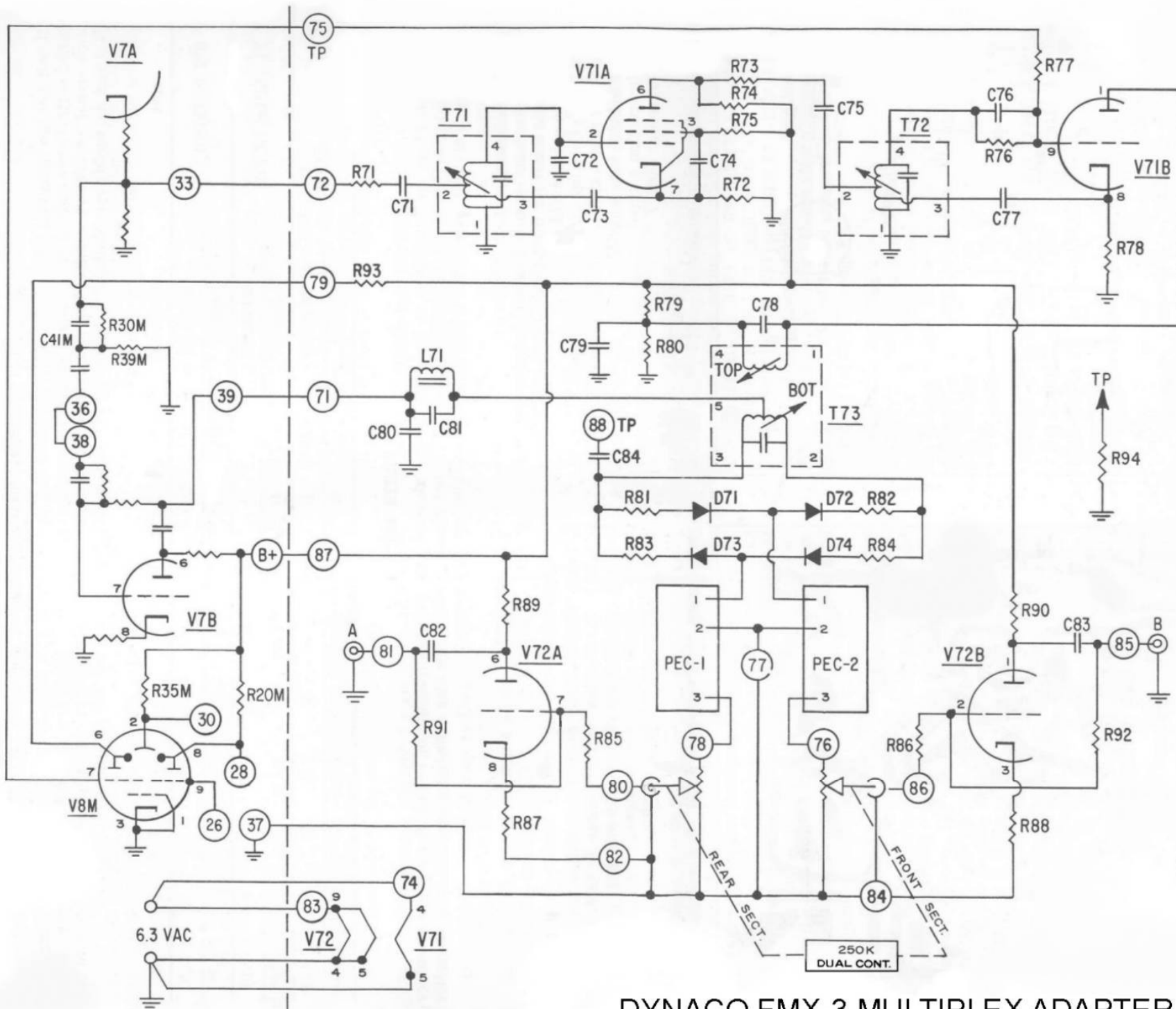


**PARTS LIST FOR
SCHEMATIC DIAGRAM**



R 20M	100,000 ohms
R 30M	22,000 ohms
R 35M	18,000 ohms
R 39M	22,000 ohms
R 71	18,000 ohms
R 72	240 ohms
R 73	22,000 ohms
R 74	47,000 ohms
R 75	150,000 ohms
R 76	1.2 megohms
R 77	3.3 megohms
R 78	2,200 ohms
R 79	220,000 ohms
R 80	150,000 ohms
R 81	47,000 ohms
R 82	47,000 ohms
R 83	47,000 ohms
R 84	47,000 ohms
R 85	100,000 ohms
R 86	100,000 ohms
R 87	1,000 ohms
R 88	1,000 ohms
R 89	100,000 ohms
R 90	100,000 ohms
R 91	470,000 ohms
R 92	470,000 ohms
R 93	470,000 ohms
R 94	1.2 megohms
C 41M	470 mmfd
C 71	500 mmfd
C 72	220 mmfd
C 73	.012 mfd
C 74	.0068 mfd
C 75	500 mmfd
C 76	.001 mfd
C 77	.0033 mfd
C 78	.0015 mfd
C 79	.01 mfd
C 80	500 mmfd
C 81	100 mmfd
C 82	.1 mfd
C 83	.1 mfd
C 84	18 mmfd
D 71	1N541
D 72	1N541
D 73	1N541
D 74	1N541
L 71	53 mh choke
T 71	transformer #432003
T 72	transformer #432003
T 73	transformer #432004
V 8M	6EM801
V 71	6BL8/ECF80
V 72	12AX7/EC83
PEC-1	module #555001
PEC-2	module #555001

DYNACO FMX-3 MULTIPLEX ADAPTER