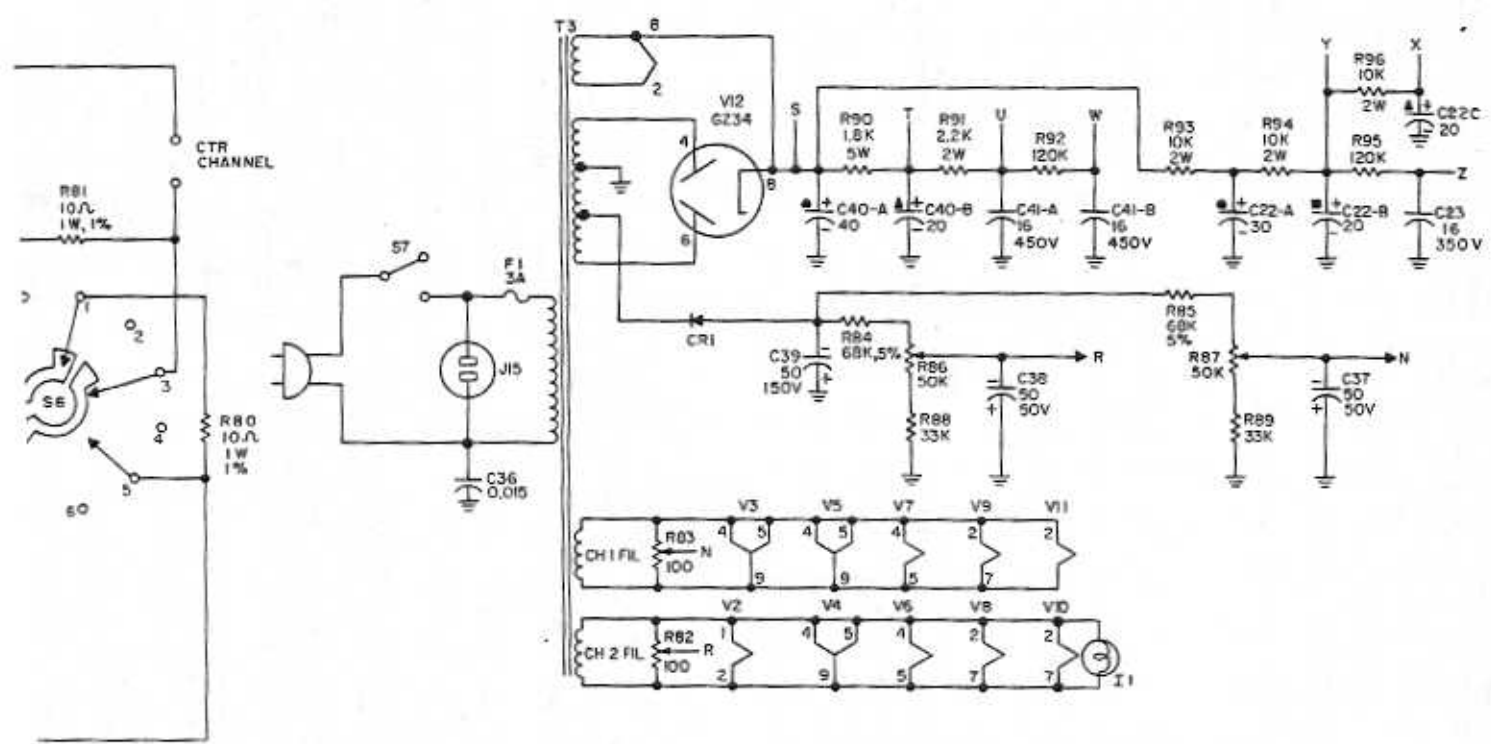
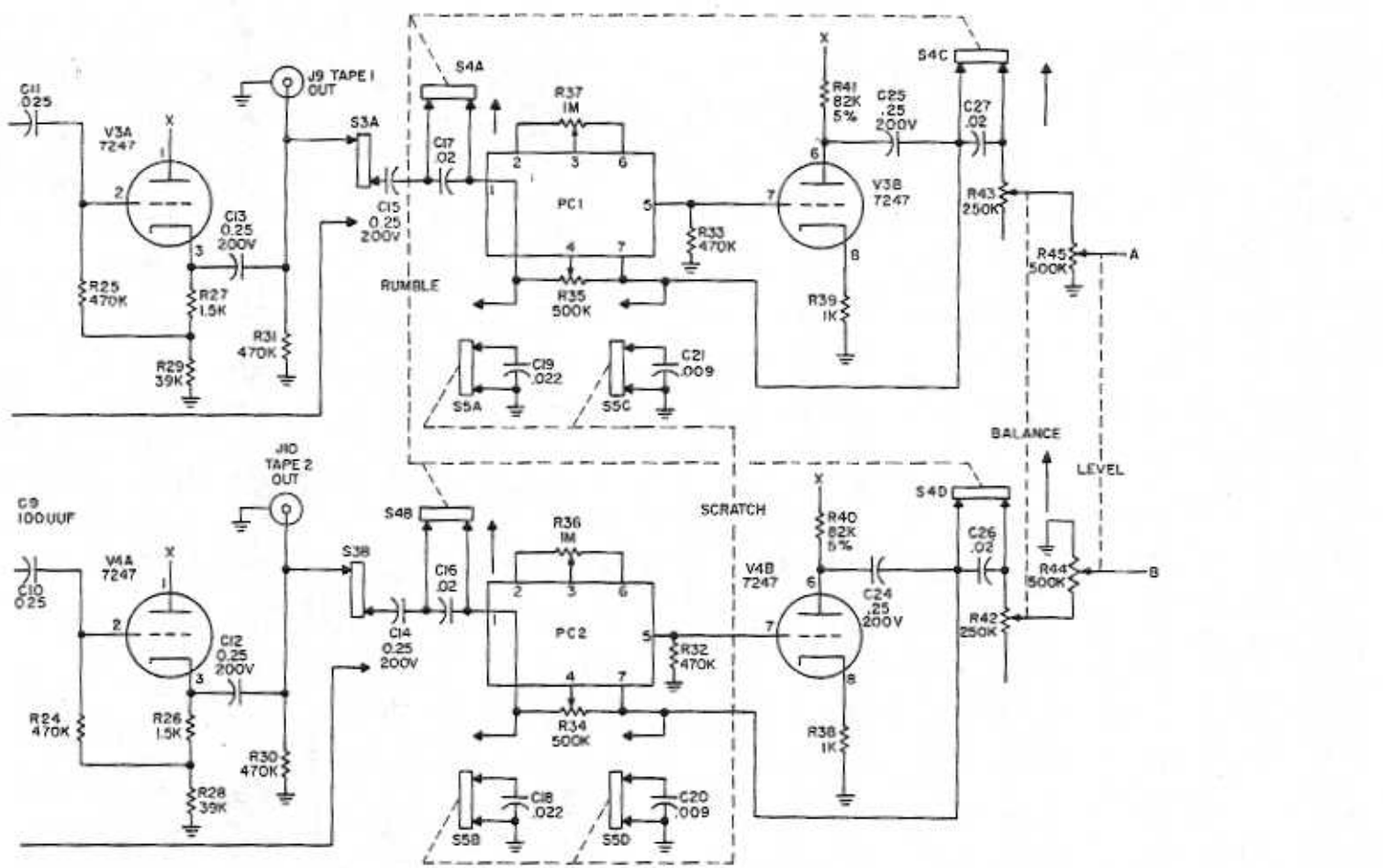


NOTES:
 1. ALL RESISTORS
 ALL RESISTANCE
 2. ALL CAPACITDF



RESISTORS ARE 1/2W, 10% UNLESS OTHERWISE SPECIFIED.
CAPACITANCE VALUES ARE IN OHMS.
CAPACITORS ARE IN UFD UNLESS OTHERWISE SPECIFIED.

3. ROTARY SWITCHES ARE SHOWN VIEWED FROM KNOB END
IN EXTREME COUNTER CLOCKWISE POSITIONS.
4. UFD = MICRO-FARAD, UUF = MICRO-MICRO FARAD, K = KILOHMS
M = MEGOHMS.

Schematic Diagram