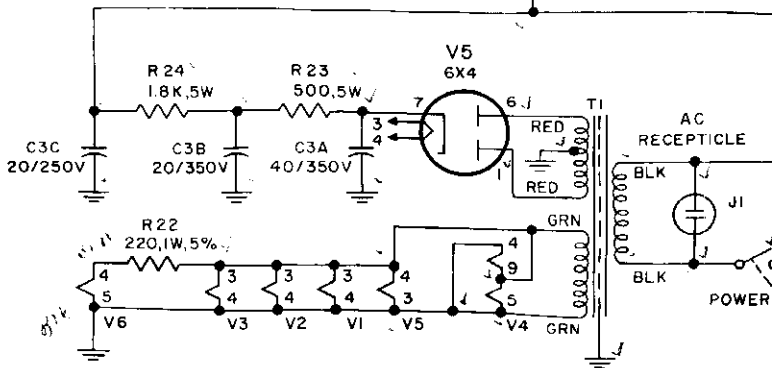
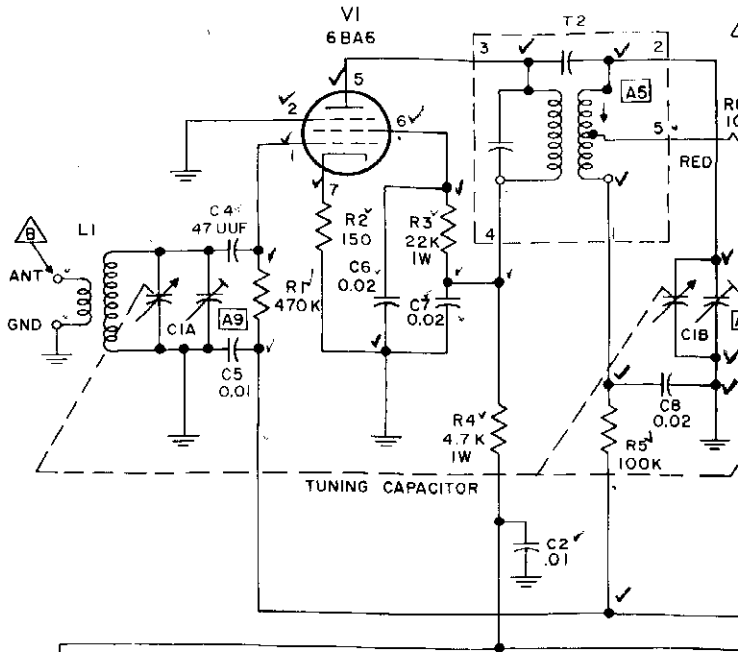


**EICO**

**MODEL HFT 94 HIGH FIDELITY AM TUNER**

**EICO**

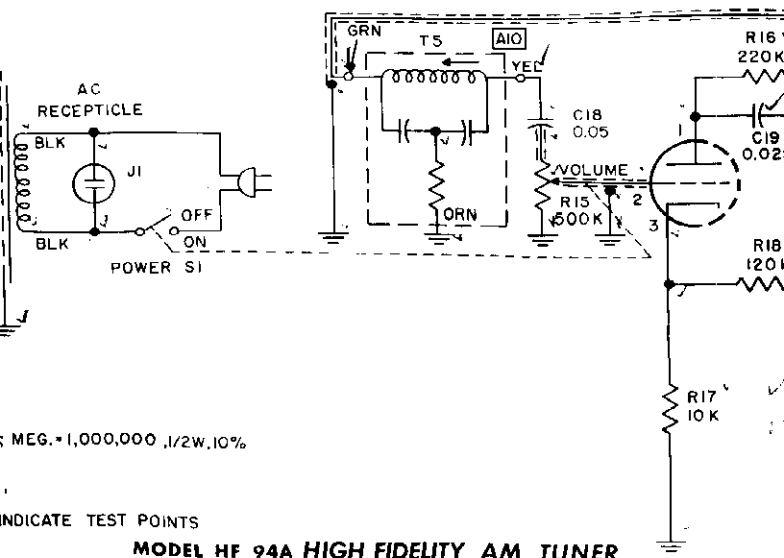
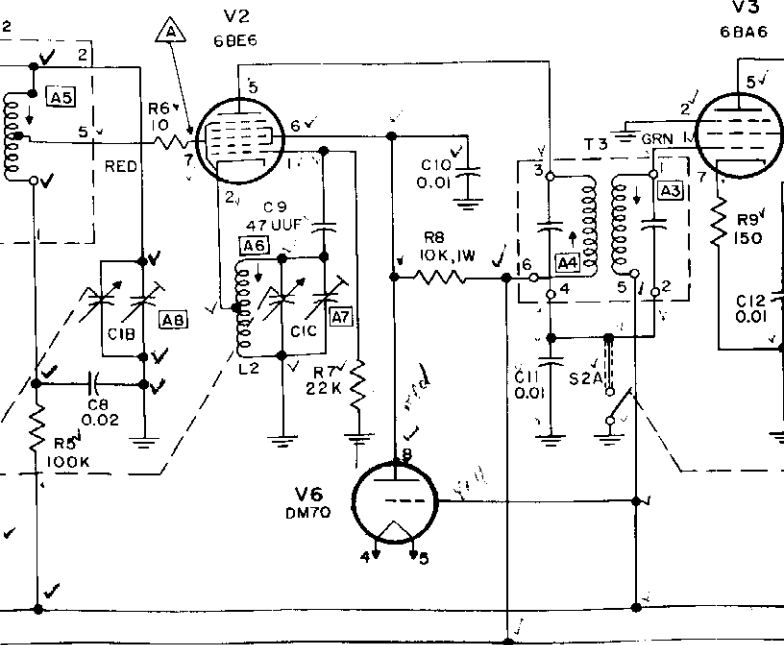




NOTES:

1. UNLESS OTHERWISE SHOWN:  
RESISTOR VALUES ARE OHMS ; K = 1,000 ; MEG. = 1,000,000 ;  
CAPACITOR VALUES ARE UF.
2. CIA, B, C IS A 3-GANG VARIABLE CAPACITOR.
3. [A] = INDICATES ALIGNING POINTS       $\triangle$  = INDICATE TEST POINT

MOD



MEG. = 1,000,000, 1/2W, 10%

INDICATE TEST POINTS

**MODEL HF 94A HIGH FIDELITY AM TUNER**

