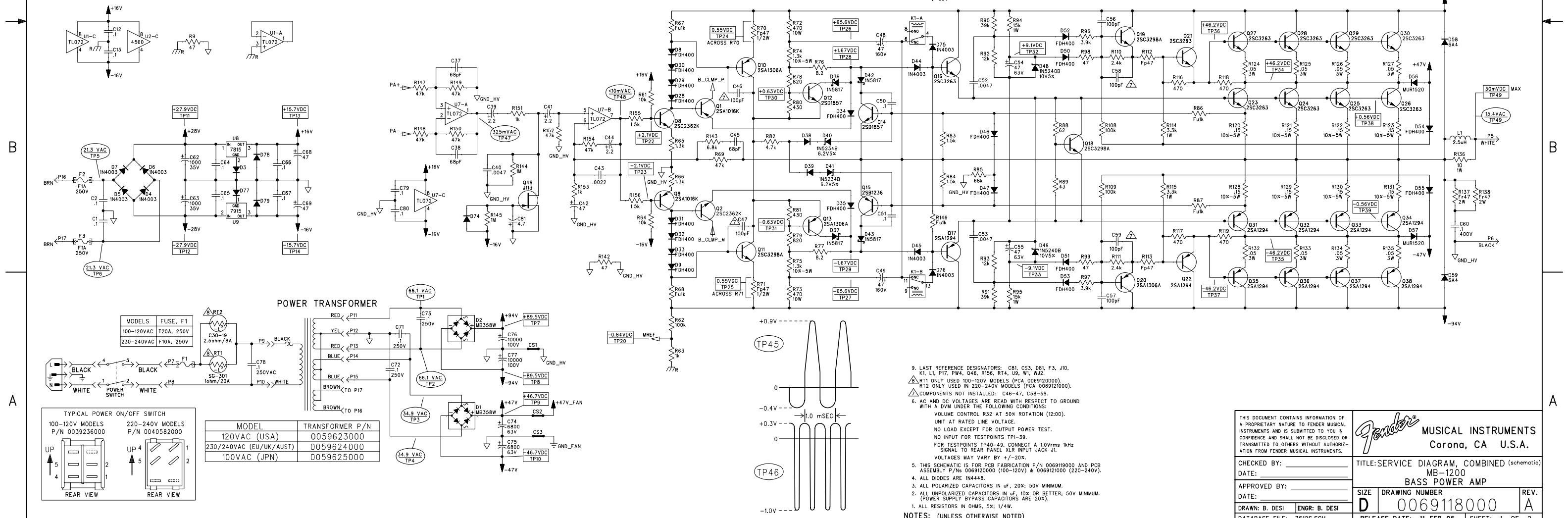
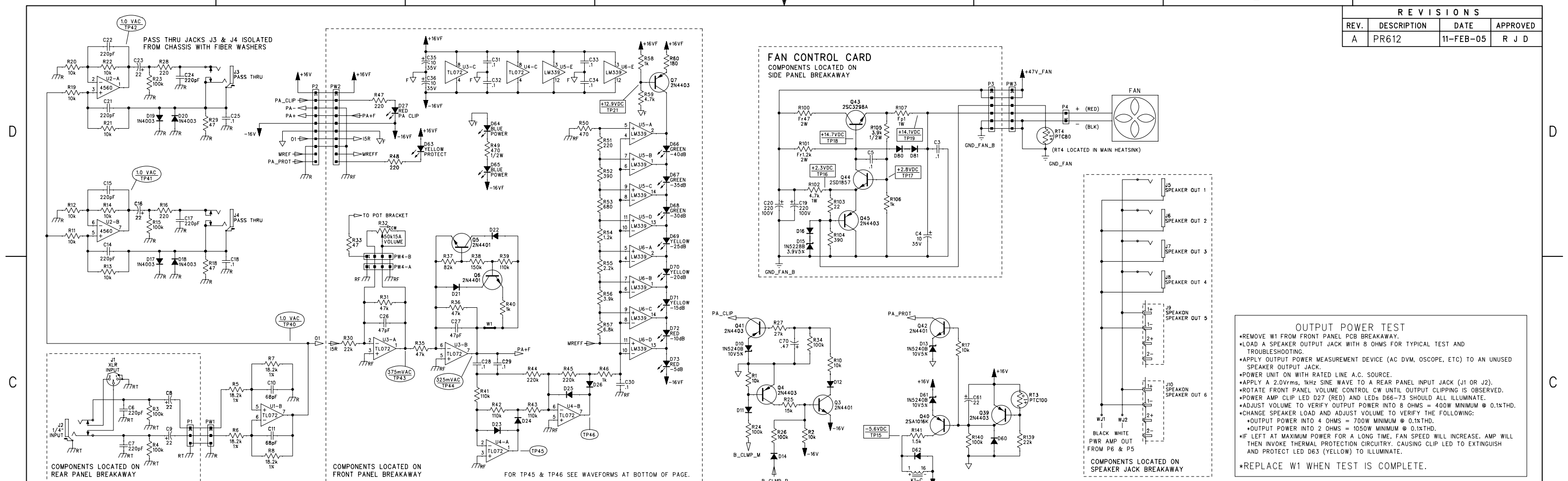


REVISIONS			
REV.	DESCRIPTION	DATE	APPROVED
A	PR612	11-FEB-05	R J D



THIS DOCUMENT CONTAINS INFORMATION OF A PROPRIETARY NATURE TO FENDER MUSICAL INSTRUMENTS AND IS SUBMITTED TO YOU IN CONFIDENCE AND SHALL NOT BE DISCLOSED OR TRANSMITTED TO OTHERS WITHOUT AUTHORIZATION FROM FENDER MUSICAL INSTRUMENTS.

Fender MUSICAL INSTRUMENTS
Corona, CA U.S.A.

CHECKED BY: _____
DATE: _____

APPROVED BY: _____
DATE: _____

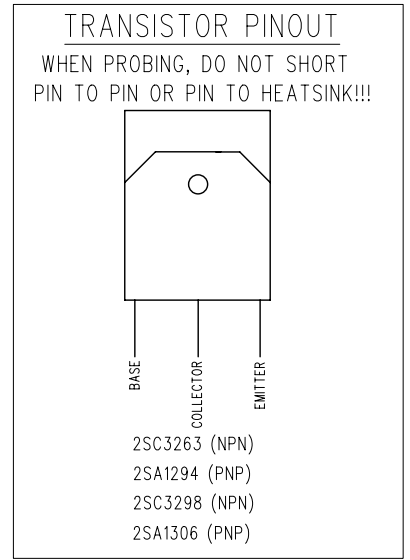
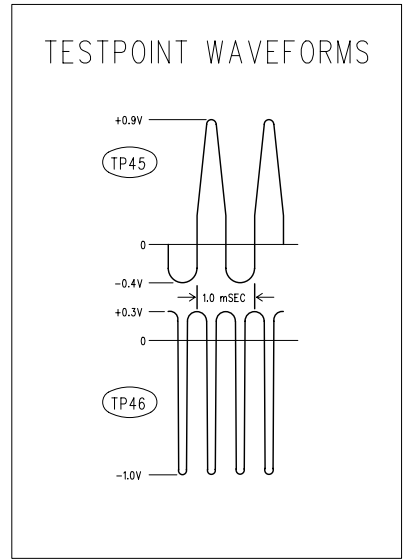
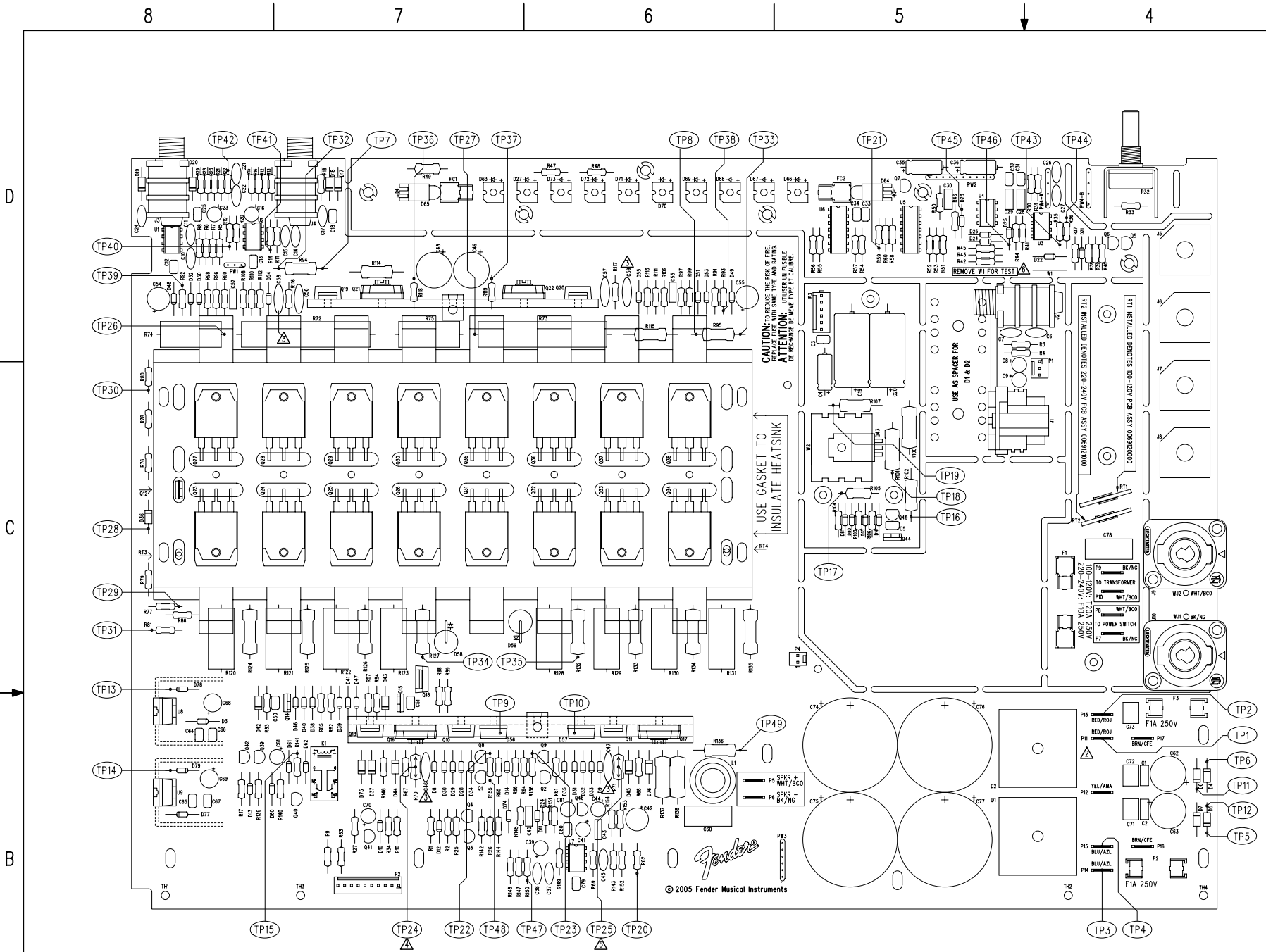
DATABASE FILE: Z612S.SCH

TITLE: SERVICE DIAGRAM, COMBINED (schematic)
MB-1200
BASS POWER AMP

SIZE: D
DRAWING NUMBER: 0069118000
REV. A

RELEASE DATE: 11-FEB-05
SHEET: 1 OF 2

REVISIONS			
REV.	DESCRIPTION	DATE	APPROVED
A	PR612	11-FEB-05	R J D



- ⚠ REMOVE JUMPER W1 FOR OUTPUT POWER TEST. REPLACE W1 OR CONNECT TRACES AT W1 WITH SOLDER AFTER CONCLUSION OF TEST.
 - ⚠ OBSERVE DC VOLTAGE ACROSS R71.
 - ⚠ OBSERVE DC VOLTAGE ACROSS R70.
 - ⚠ COMPONENTS NOT INSTALLED: C46-47, C58-59.
 - ⚠ REFER TO SHEET 1 FOR PROPER SECONDARY WIRING.
 - 1. SEE SHEET 1 FOR PRIMARY WIRING, TEST CONDITIONS, TEST POINT VALUES, AND OUTPUT POWER SETUP.
- NOTES: (UNLESS OTHERWISE NOTED)

THIS DOCUMENT CONTAINS INFORMATION OF A PROPRIETARY NATURE TO FENDER MUSICAL INSTRUMENTS AND IS SUBMITTED TO YOU IN CONFIDENCE AND SHALL NOT BE DISCLOSED OR TRANSMITTED TO OTHERS WITHOUT AUTHORIZATION FROM FENDER MUSICAL INSTRUMENTS.		MUSICAL INSTRUMENTS Corona, CA U.S.A.	
CHECKED BY:	DATE:	TITLE: SERVICE DIAGRAM, COMBINED (PCB assy) MB-1200	
APPROVED BY:	DATE:	BASS POWER AMP	
DRAWN: B DESI	ENGR: B DESI	SIZE: D	DRAWING NUMBER: 0069118000
DATABASE FILE: Z612P.PCB	RELEASE DATE: 11-FEB-05	SHEET: 2	OF 2