



Fender[®]

MADE IN U.S.A.

TELECASTER CUSTOM

MANUAL NO. 011225 (Rev. B)

**OWNER'S
MANUAL**

TELECASTER CUSTOM

Your new Fender Guitar incorporates the highest standards of craftsmanship and quality components. As a Fender owner you can be proud and self-assured in the knowledge that you have the finest.

Your playing pleasure will be enhanced if you become thoroughly acquainted with all of the features of your instrument. Please read this instruction manual carefully and completely. If you need more information, contact your authorized Fender Dealer.

ORIGINAL STYLED HEAD
PLACES KEYS ALL ON ONE SIDE FOR
EASIER TUNING. PROVIDES STRAIGHT
PULL ON ALL STRINGS. SAFETY
STRING POSTS, STEEL AND
BRASS NON-SLIP GEARS.

CUTAWAY BODY DESIGN
PERMITS EASY PLAYING OF ALL
FRETS.

PICKUPS
(1) RHYTHM
(2) LEAD

ADJUSTABLE BRIDGES
(SEE TEXT)

ADJUSTABLE TRUSS
ROD NUT

FAST ACTION NECK
SOLID MAPLE NECK WITH
MICRO-ADJUST TILT MECHANISM
AND NEW QUICK-ADJUST TRUSS
ROD FOR PERFECT NECK ALIGNMENT.

PICKUP
SELECTOR
SWITCH

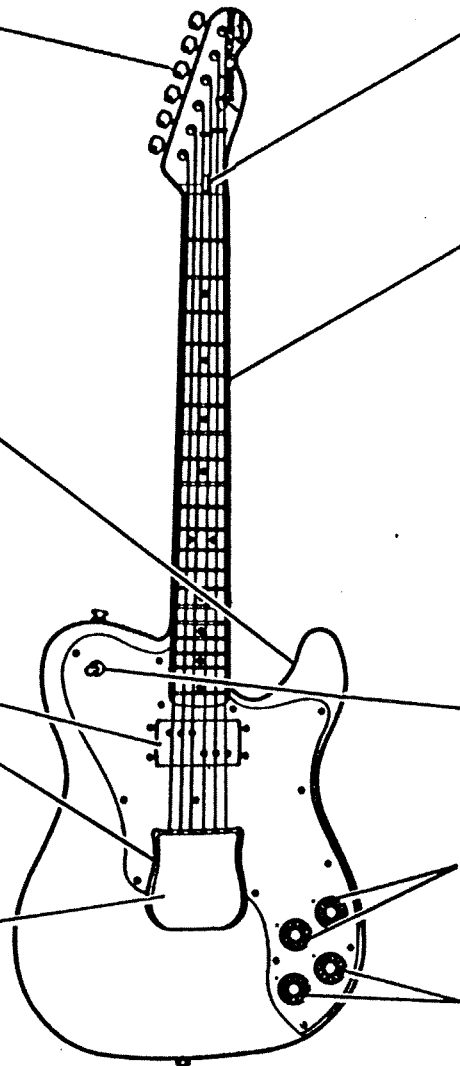
—UP POSITION FOR
RHYTHM PICKUP
—DOWN POSITION FOR
LEAD PICKUP
—MIDDLE POSITION
FOR BOTH PICKUPS

VOLUME
CONTROLS

—OUTER VOLUME AND
TONE FOR LEAD
PICKUP

TONE
CONTROLS

—INNER VOLUME AND
TONE FOR RHYTHM
PICKUP



STRING HEIGHT ADJUSTMENT

Six bridge sections are located under the snap-on bridge cover. Each has two height adjusting screws.

To raise the strings turn the screws clockwise. To lower the strings turn the screws counter-clockwise. Low string action makes for easier playing but if the strings are too low they will buzz on the frets. (Fig. 2)

STRING LENGTH ADJUSTMENT

There are six length adjusting screws (Fig. 2). If a string sounds flat when played at the twelfth fret compared with the open string harmonic at the same fret, turn the screw counter-clockwise. If a string sounds sharp to the harmonic, turn the screw clockwise.

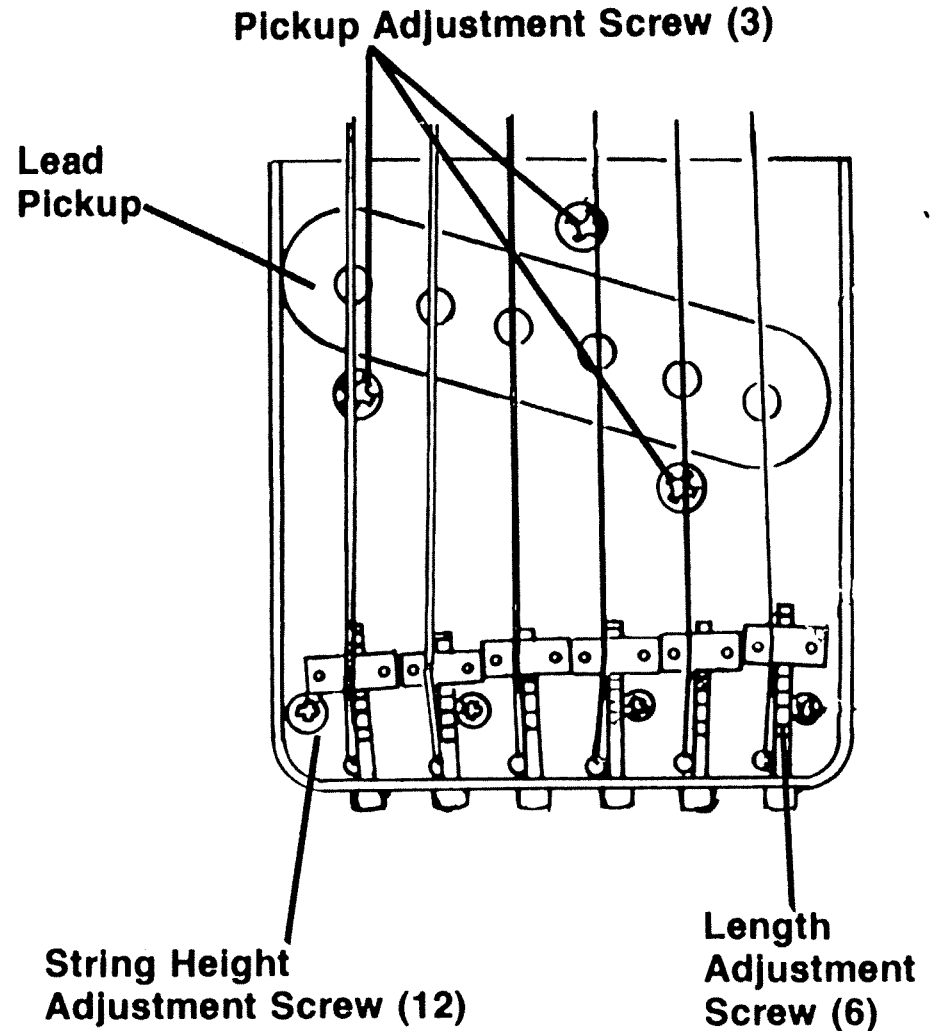


Figure 2

STRING CHANGE AND ADJUSTMENT

Changing from the original strings may cause the instrument to fret improperly and to have improper intonation. This may be corrected by making the proper string adjustments.

RHYTHM PICKUP ADJUSTMENT

The height of the humbucking pickup is adjusted by turning the four outboard screws (two on each side) clockwise to raise and counter-clockwise to lower. For optimum performance, the pickup covers should be 1/16 inch below the first and sixth strings when these strings are played on the last fret.

A string is adjusted for balance by turning the magnetic pole screw which is di-

rectly under it. If a string sounds weak, in relation to the other strings, raise the screw by turning it counter-clockwise. If a string sounds too loud, lower the screw by turning it clockwise.

Note: Normally, the second string screw should be somewhat lower than the other screws and the first and sixth string screws should not exceed above the pickup cover.

LEAD PICKUP ADJUSTMENT

(Fig. 2). Remove the snap-on cover. There are three pickup adjustment screws. To raise the pickup turn the screws clockwise. To lower the pickup turn the screws counter-clockwise.

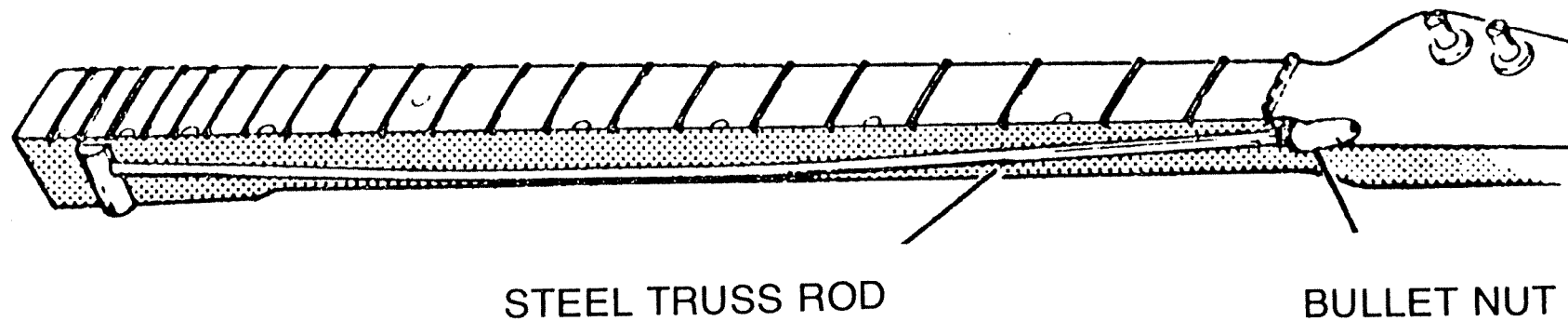


Figure 5

ADJUSTABLE NECK TRUSS ROD

String tension pulls the guitar head forward increasing the distance between the frets and the strings. The steel Truss Rod exerts a counter force to the pull of the strings.

The bullet nut at the guitar head is used to adjust the tension of the Truss Rod. Insert the allen wrench, provided with the guitar, in the bullet nut and tighten it (clockwise) if the middle of the fretboard is bowed away from the strings. If the

neck is bowed toward the strings the bullet nut should be loosened. Usually, only a small adjustment is required, such as a quarter turn. While turning the nut it is helpful to apply pressure to the neck in the same direction as the required adjustment.

NOTE: When loosening the bullet nut, place the guitar on its back with a block (such as a book) under the head and apply pressure to the middle of the neck.

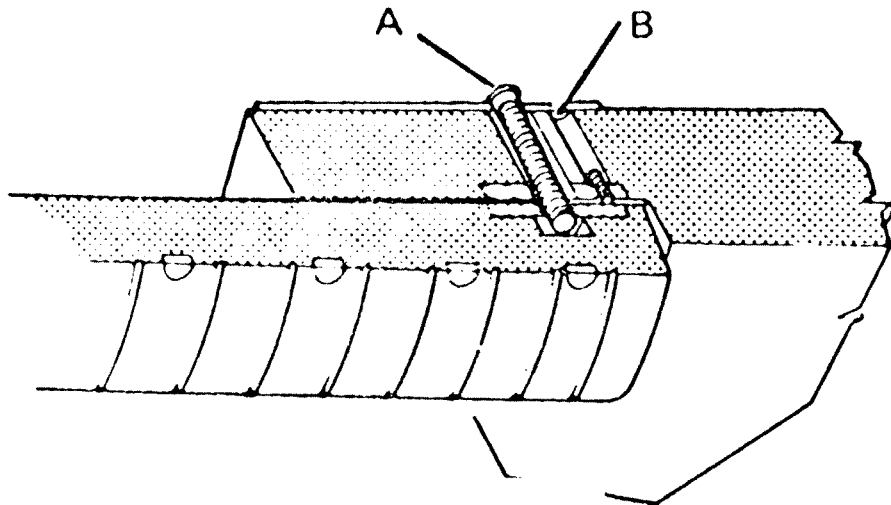
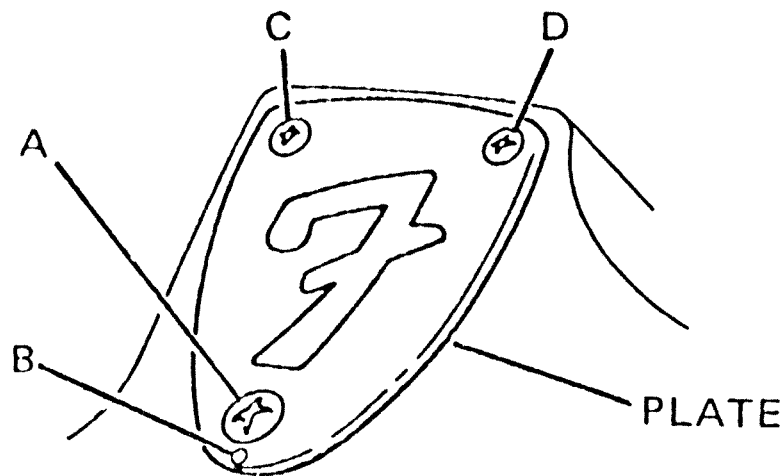


Figure 6



(BACK OF GUITAR)
Figure 7

MICRO-TILT NECK ADJUSTMENT

To adjust the alignment of the neck to the body, loosen lock screw "A" two full turns. Screws "C" and "D" need not be loosened. Insert the 3/32 allen wrench (furnished with instrument) through hole "B" in the neck plate and into the set screw in the bottom of the hole. To increase the angle, turn the screw clockwise. To decrease the angle, turn the screw counterclockwise. When desired adjustment is reached, tighten lock screw "A" and recheck, as tightening the lock screw may alter the adjustment slightly.

CASE HARDENED PLATED METAL PARTS

All parts of the Telecaster Custom Guitar exposed to the player's hand or body are heavily plated and will retain their new-like appearance for a long period of time. In addition, the parts which are subject to mechanical wear are made of case hardened steel, thereby providing ruggedness and durability and eliminating breakdown or malfunction.

IMPORTANT

See accompanying warranty card folder

© Litho U.S.A.

Fender[®]
Made in U.S.A.

P.O. BOX 4137 - 1300 E. VALENCIA DRIVE, FULLERTON, CA 92634