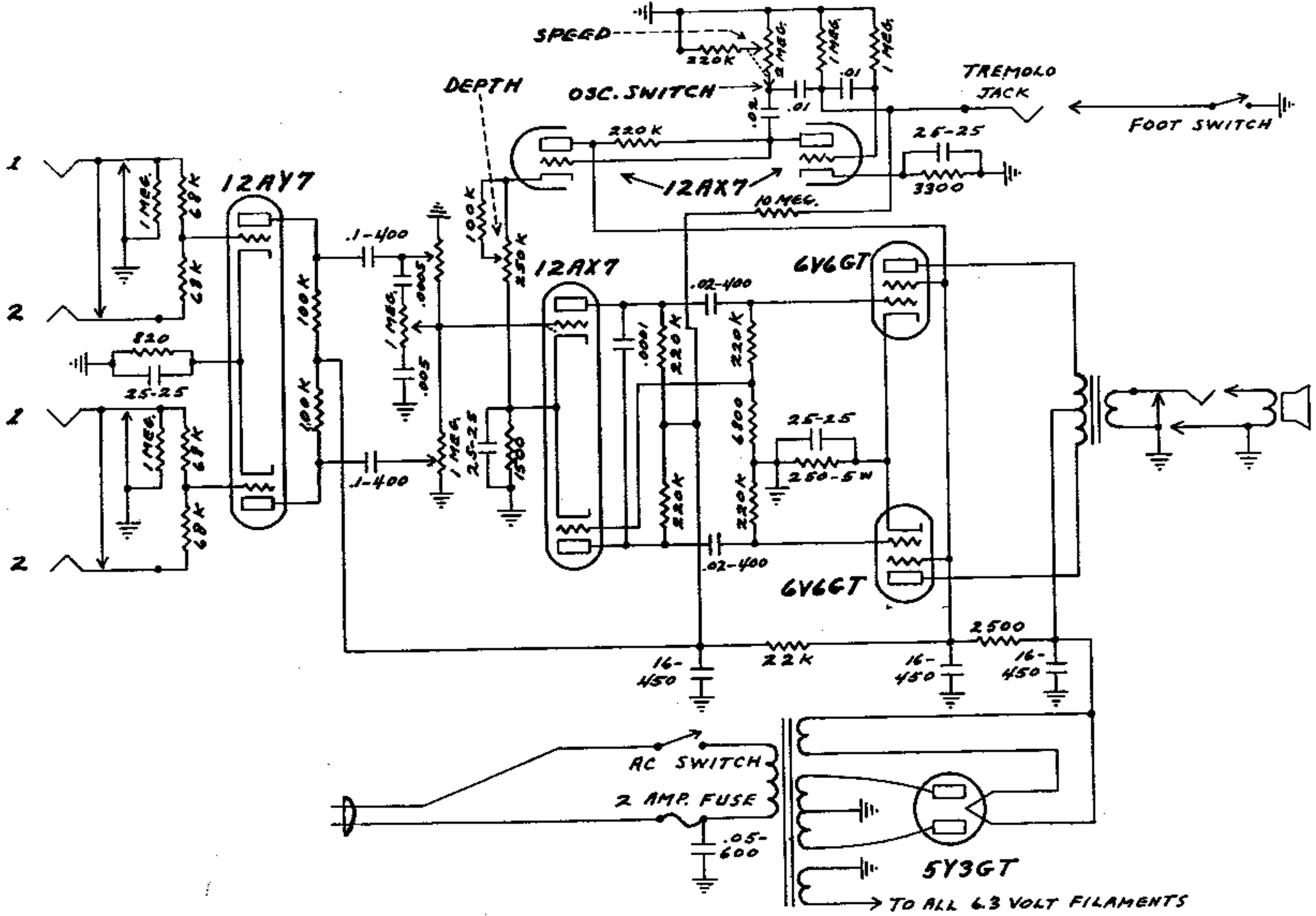


FENDER "TREMOLUX" SCHEMATIC

MODEL 5E9-A

D-EE



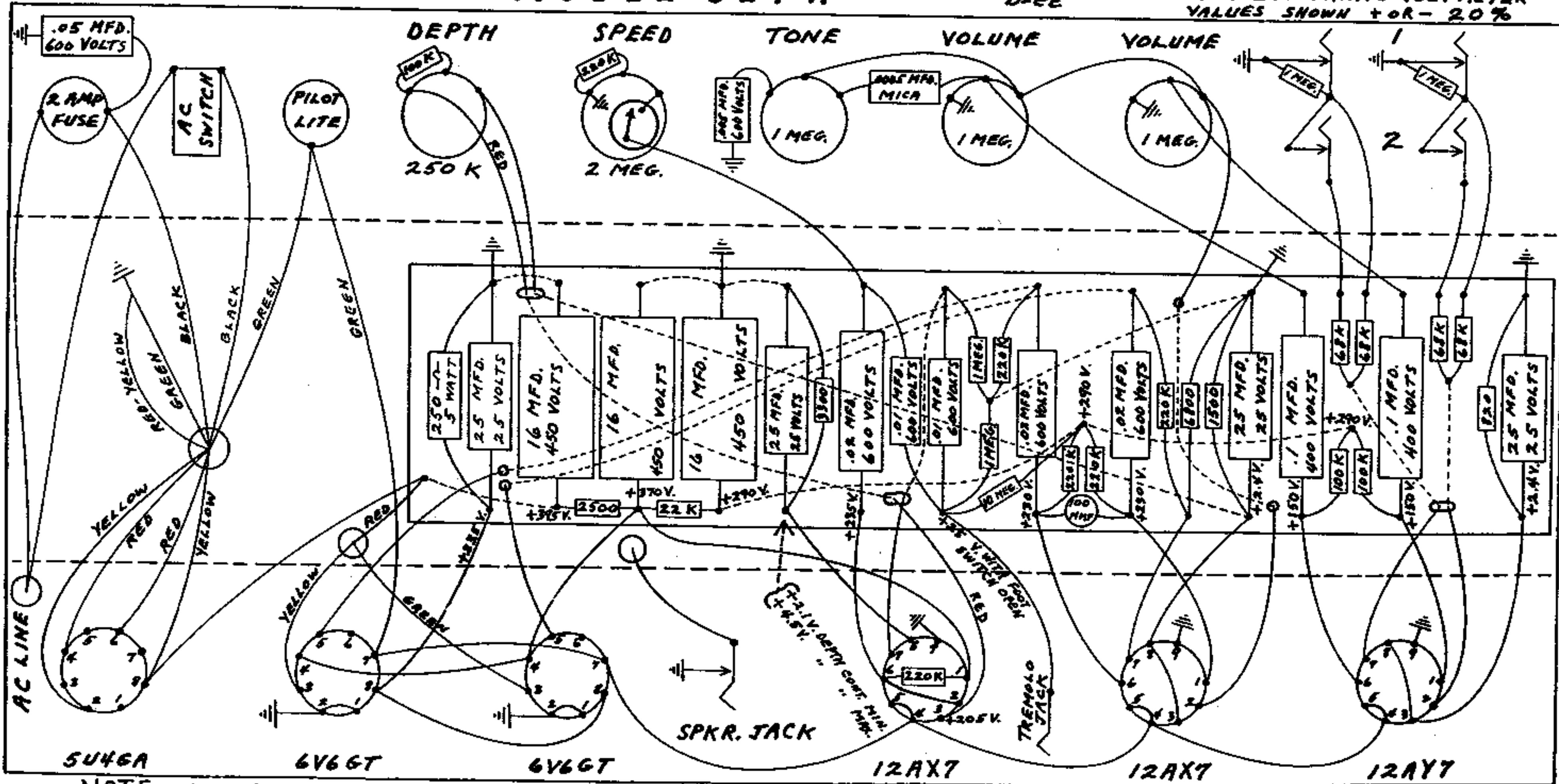
FENDER "TREMOLUX" LAYOUT

MODEL 5E9-A

D-EE

NOTICE

VOLTAGES READ TO GROUND
WITH ELECTRONIC VOLT METER
VALUES SHOWN $\pm 0.2\%$



5U4GA

6V6GT

6V6GT

12AX7

12AX7

12AY7

NOTE - MODEL 5E9 USES 5Y3GT INSTEAD OF 5U4GA

NOTE - EARLY MODELS HAVE SWITCH ON DEPTH CONTROL INSTEAD OF SPEED CONTROL. CIRCUIT IS SAME.