

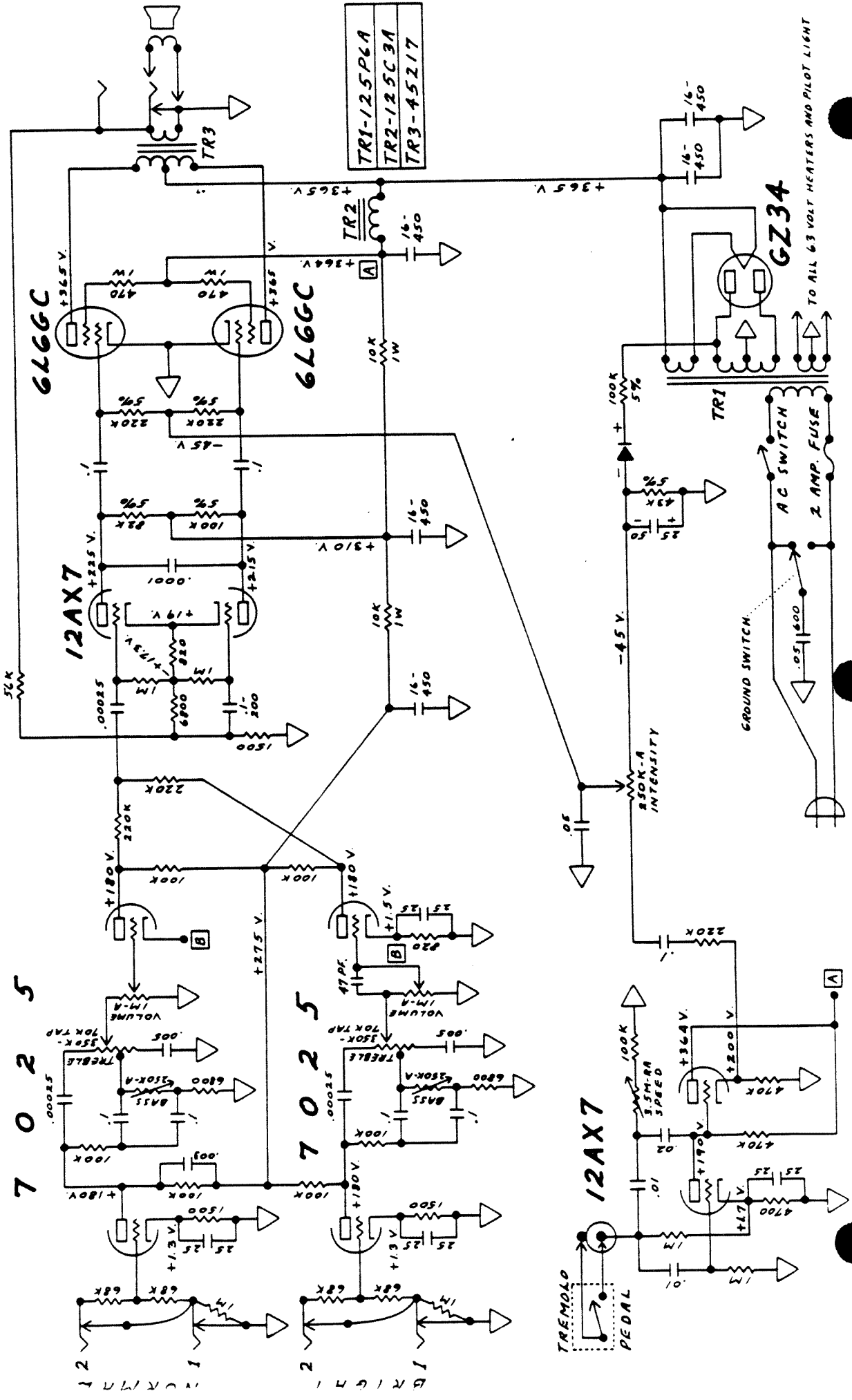
# FENDER "TREMOLUX" SCHEMATIC P/O

## MODEL 669-A H-FA

CIRCUIT PATENT #2817708

### NOTICE

- 1- VOLTAGES READ TO GROUND WITH ELECTRONIC VOLTMETER. VALUES SHOWN + OR - 20%.
- 2- ALL RESISTORS 1/2 WATT, 10% TOLERANCE IF NOT SPECIFIED.
- 3- ALL CAPACITORS AT LEAST 400 VOLT RATING IF NOT SPECIFIED.



TO ALL 63 VOLT HEATERS AND PILOT LIGHT

