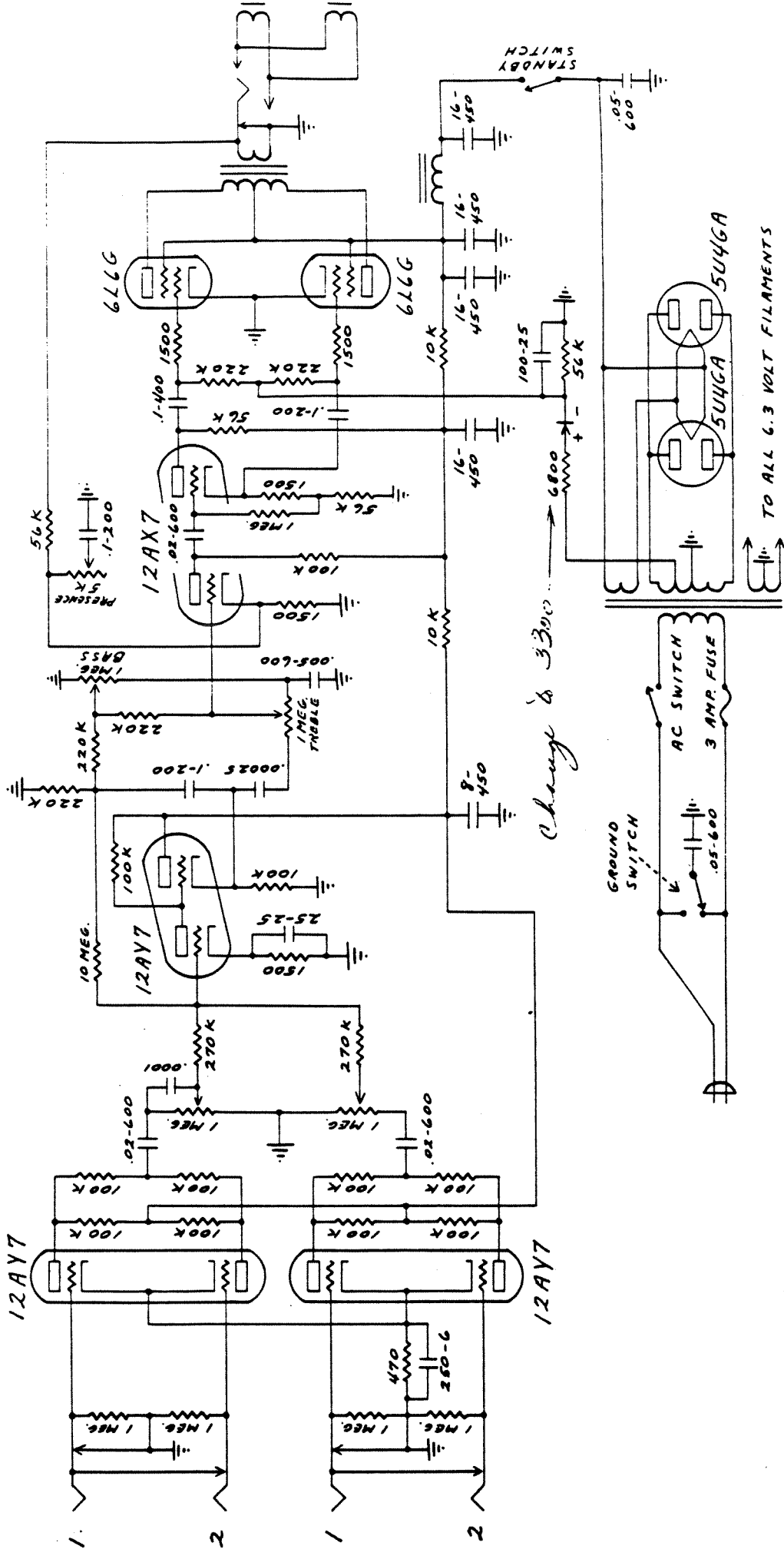


FENDER "TWIN-AMP" SCHEMATIC MODEL 5E8 A-EE



TO ALL 6.3 VOLT FILAMENTS

AC SWITCH
3 AMP FUSE

GROUND SWITCH

STANDBY SWITCH

Change to 330V

