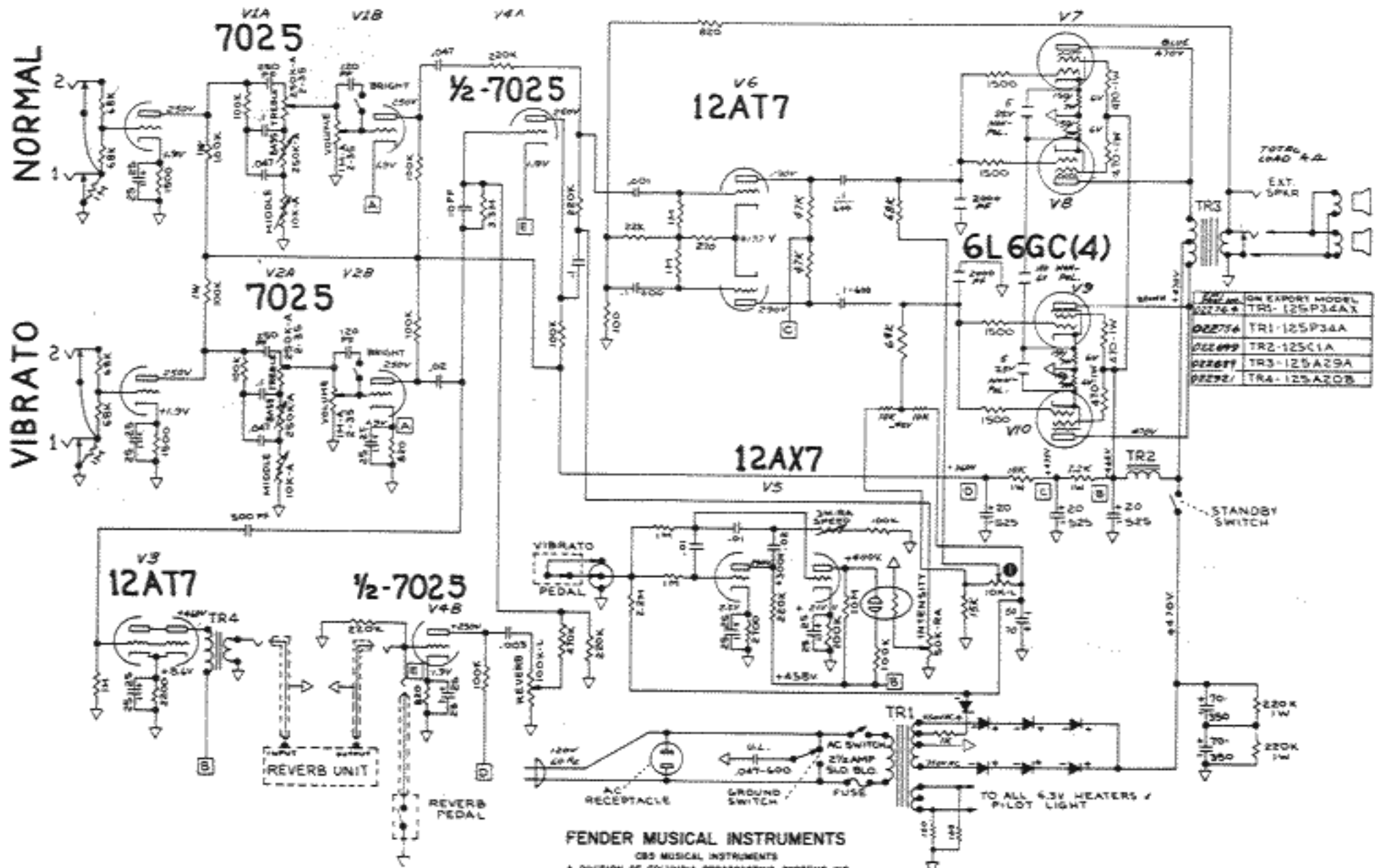


# FENDER MODEL "TWIN REVERB-AMPAC 56" SCHEMATIC NOTICE

THIS PRODUCT MANUFACTURED UNDER ONE OR MORE OF THE FOLLOWING U.S. PATENTS:  
 # 2817708, #2913481, 192859 / PATENTS PENDING.

- 1 - VOLTAGES READ TO GROUND WITH V.T.V.M.
- 2 - VALUES SHOWN + OR - 20%
- 3 - ALL RESISTORS 1/2 WATT, 10% TOLERANCE, IF NOT SPECIFIED.
- 4 - ALL CAPACITORS AT LEAST 500 VOLT RATING IF NOT SPECIFIED.
- 5 - VOLTAGES MEASURED WITH VIBRATO PEDAL GROUND TO CHASSIS.

C-FD



Part No.	OH EXPORT MODEL
022764	TR1-125P34A
022699	TR2-125C1A
022677	TR3-125A29A
022671	TR4-125A20B

FENDER MUSICAL INSTRUMENTS  
 CBS MUSICAL INSTRUMENTS  
 A DIVISION OF COLUMBIA BROADCASTING SYSTEMS INC.  
 SANTA ANA, CALIFORNIA  
 U.S.A.

OWN.	F.J.	DATE	5-27-68	MUSICAL INSTRUMENTS SANTA ANA, CALIFORNIA
CHK.				
APPD.				
APPD.				
Dwg. TITLE SCHEMATIC & WIRING DIAGRAM - TWIN REVERB TUBE TYPE				
APPROVAL -	REL. NO.	REV.	DWG. NO.	450 D 045377 C
APPROVAL -	SCALE	MODEL	TYPE	
SCALE MODEL TYPE SHEET 1 OF 2				