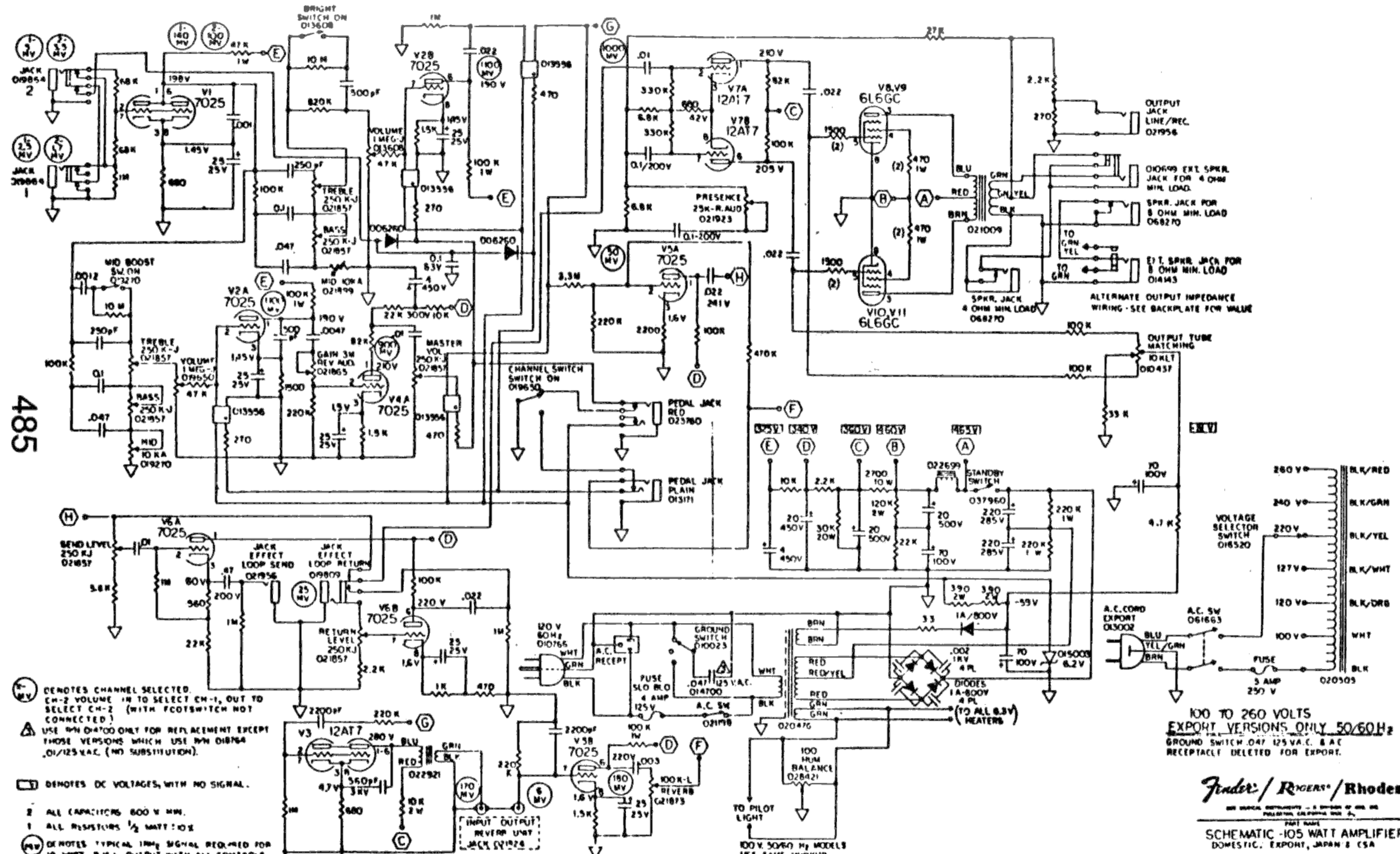


FENDER TWIN REVERB II AMPLIFIER (215500, 215501, 215502, 215508)



485

- Ⓜ MV DENOTES CHANNEL SELECTED. CH-2 VOLUME IN TO SELECT CH-1, OUT TO SELECT CH-2 (WITH FOOTSWITCH NOT CONNECTED)
- ⚠ USE ONLY 0A700 ONLY FOR REPLACEMENT EXCEPT THOSE VERSIONS WHICH USE 0A700A (NO SUBSTITUTION).
- Ⓛ DENOTES DC VOLTAGES, WITH NO SIGNAL.
- 2 ALL CAPACITORS 500 V MIN.
- 1 ALL RESISTORS 1/2 WATT ±0.5%
- Ⓜ MV DENOTES TYPICAL 100mV SIGNAL REQUIRED FOR 10 WATT RMS OUTPUT WITH ALL CONTROLS MAX GAIN MIN BOOST OFF AND DUMMY PLUG INSERTED INTO INPUT JACK #1 OR JACK #2 (GAIN MAX INCREASES SENSITIVITY OF CHANNEL #222346)

CAUTION: 300 VOLTS AVAILABLE - DISCONNECT POWER SUPPLY AND ALLOW AT LEAST 30 SEC. FOR VOLTAGES TO BLEED OFF BEFORE SERVICING AMPLIFIER.

100 TO 260 VOLTS
EXPORT VERSIONS ONLY 50/60 Hz
GROUND SWITCH .047 125 V.A.C. & A.C. RECEPTACLE DELETED FOR EXPORT.

Fender / Ringers / Rhodes
SCHEMATIC - 105 WATT AMPLIFIER
DOMESTIC, EXPORT, JAPAN & CSA

| | | | |
|--------|------|----------|------|
| REV. 1 | DATE | PART NO. | REV. |
| 9/2/61 | D | 020905 | 8 |

Part #021478

Footswitch for Fender '83 Concert, Twin Reverb II

Red Jack

Tip: -6.2Vdc
Ring: Hi Gain
Shield: Gnd

Plain Jack

Tip: Clean
Ring: Reverb
Shield: Gnd

