

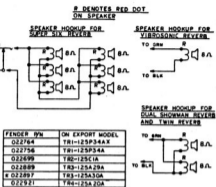
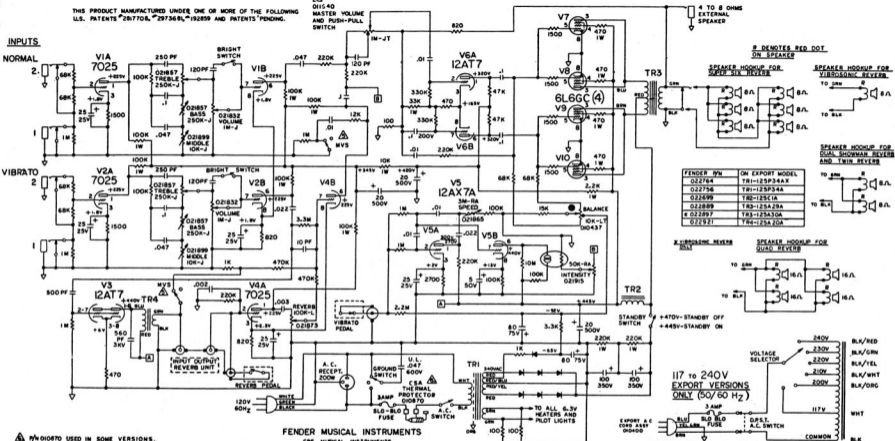
THIS PRODUCT MANUFACTURED UNDER ONE OR MORE OF THE FOLLOWING U.S. PATENTS 2877708, 2973681, 192899 AND PATENTS PENDING.

015-40
MASTER VOLUME
AND PUSH-PULL
SWITCH

INPUTS

NORMAL

VIBRATO



- 1. VOLTAGES READ TO GROUND WITH V.T.M. WITH VIBRATO GROUNDING (EXCEPT V5) - NO INPUT SIGNAL.
- 2. ALL RESISTORS 1/2 WATT ± 10%.
- 3. ALL CAPACITORS AT LEAST 600V, W.V.D.C.
- 4. FENDER #N FOR CONTROLS INDICATED.
- 5. MASTER VOLUME PUSH-PULL SWITCH DESIGNATED MVS SHOWN IN "OUT" POSITION, PUSH IN FOR PURE SOUND. USED IN SOME VERSIONS.

FENDER MUSICAL INSTRUMENTS
CBS MUSICAL INSTRUMENTS
A DIVISION OF COLUMBIA BROADCASTING SYSTEMS INC.
FULLERTON, CALIFORNIA
U.S.A.

MODEL NO.	USED ON	UNLESS OTHERWISE SPECIFIED	DATE	BY
VIBROSONIC REV. EXP.	11/17/71	ROSALES	11/17/71	
VIBROSONIC REVERB 1				
SUPER SIX REVERB EXP.				
QUAD REVERB (EXPORT)				
DUAL SHOWMAN REV. EXP.				
TWIN REVERB EXPORT				
SUPER SIX REVERB				
QUAD REVERB				
DUAL SHOWMAN REVERB				
TWIN REVERB				

SCALE: 1" = 10"

DATE: 11/17/71

BY: ROSALES

SCALE: 1" = 10"

DATE: 11/17/71

BY: ROSALES

SCALE: 1" = 10"

DATE: 11/17/71

BY: ROSALES

CBS MUSICAL INSTRUMENTS
FULLERTON, CALIFORNIA

— SCHEMATIC —
100 WATTS RMS AMP
W/REVERB AND VIBRATO

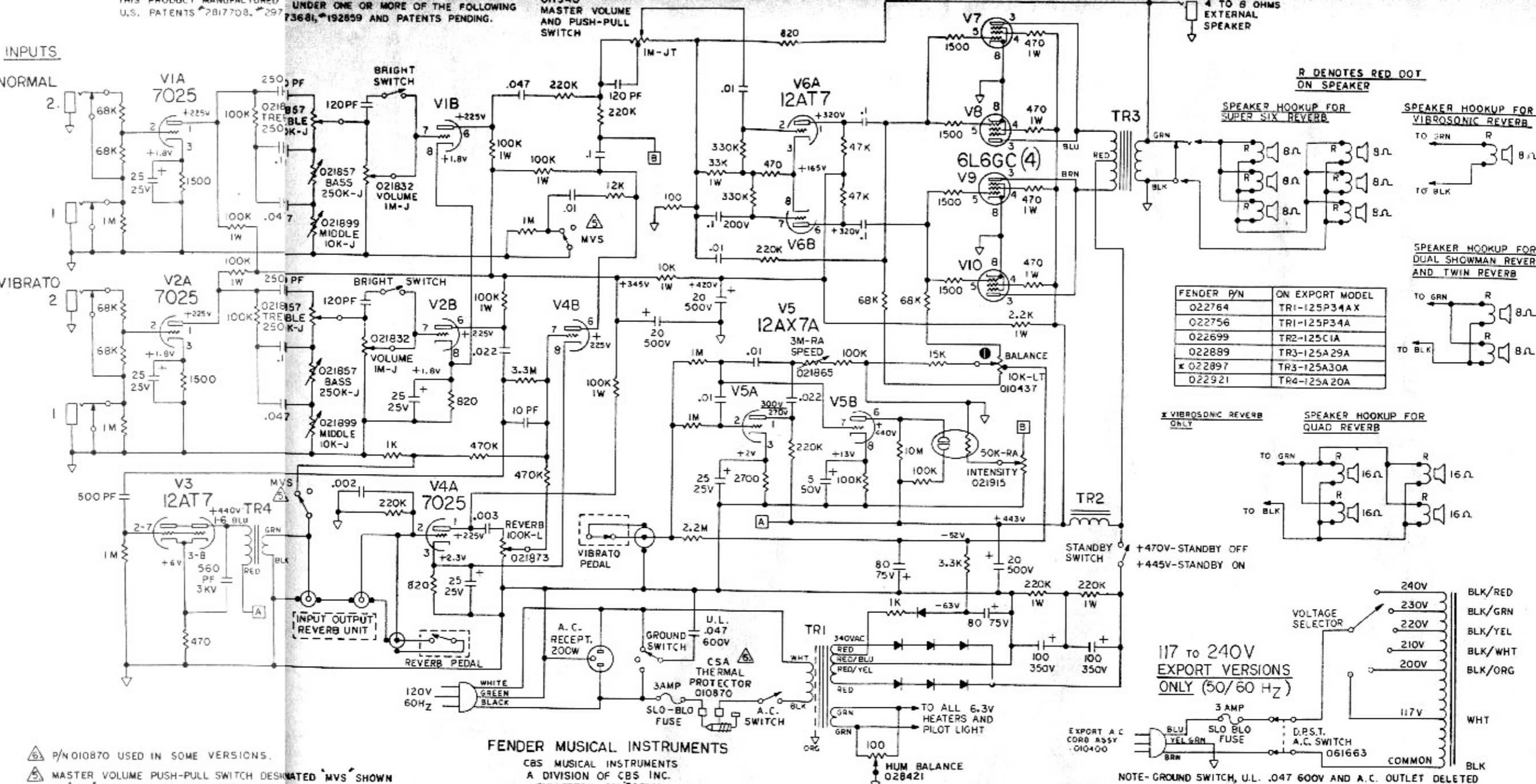
REV. NO. 1
REV. DATE 11/17/71
SCALE 1" = 10"
FORM SEVERAL
DATE 11/17/71
BY ROSALES

010182

INPUTS

NORMAL

VIBRATO



R DENOTES RED DOT ON SPEAKER

SPEAKER HOOKUP FOR SUPER SIX REVERB

SPEAKER HOOKUP FOR VIBROSONIC REVERB

SPEAKER HOOKUP FOR DUAL SHOWMAN REVERB AND TWIN REVERB

FENDER P/N	GM EXPORT MODEL
022764	TR1-125P34AX
022756	TR1-125P34A
022699	TR2-125C1A
022889	TR3-125A29A
*022897	TR3-125A30A
022921	TR4-125A20A

VIBROSONIC REVERB ONLY

SPEAKER HOOKUP FOR QUAD REVERB

117 to 240V EXPORT VERSIONS ONLY (50/60 HZ)

NOTE- GROUND SWITCH, U.L. .047 600V AND A.C. OUTLET DELETED

- ⚠ P/N 010870 USED IN SOME VERSIONS.
- ⚠ MASTER VOLUME PUSH-PULL SWITCH DESIGNATED 'MVS' SHOWN IN 'OUT' POSITION, PUSH IN FOR PURE SOUND. USED IN SOME VERSIONS.
- 4. FENDER P/N FOR CONTROLS INDICATED.
- 3. ALL CAPACITORS AT LEAST 600V, W.V.D.C.
- 2. ALL RESISTORS 1/2 WATT ± 10%.
- 1. VOLTAGES READ TO GROUND WITH V.T.V. WITH VIBRATO GROUND (EXCEPT V5) - NO INPUT SIGNAL.

FENDER MUSICAL INSTRUMENTS
 CBS MUSICAL INSTRUMENTS
 A DIVISION OF CBS INC.
 FULLERTON, CALIFORNIA
 U.S.A.

	VIBROSONIC REV. EXP.
	VIBROSONIC REVERB
	SUPER SIX REVERB EXP.
	QUAD REVERB EXPORT
	DUAL SHOWMAN REV. EXP.
	TWIN REVERB EXPORT
CFAT106	SUPER SIX REVERB
CFAT104	QUAD REVERB
TFL5000D	DUAL SHOWMAN REVERB
	TWIN REVERB

CBS MUSICAL INSTRUMENTS
 FULLERTON, CALIFORNIA

DMG. TITLE — SCHEMATIC —

100 WATTS RMS AMP
W/ REVERB AND VIBRATO

DMG. NO. **010182** REV **G**

NOTES: UNLESS OTHERWISE SPECIFIED