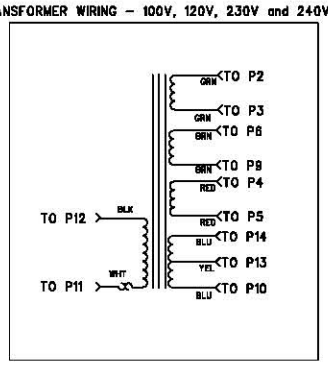
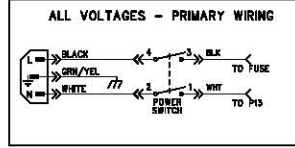


| REVISIONS | | | |
|-----------|-------------|-----------|----------|
| REV. | DESCRIPTION | DATE | APPROVED |
| A | PR 736 | 13-JUN-07 | LEL |

| 100V | 120V | 220V - 240V |
|-------------------|-------------------|-------------------|
| 3.0A FAST 250V | 3.0A FAST 250V | 1.6A FAST 250V |



7. LAST REFERENCE DESIGNATOR: C58, D28, F4, J7, JWP2, P14, P16A, P17B, P18A, P18B, P18C, P18D, P18E, P18F, P18G, P18H, P18I, P18J, P18K, P18L, P18M, P18N, P18O, P18P, P18Q, P18R, P18S, P18T, P18U, P18V, P18W, P18X, P18Y, P18Z.
8. AC AND DC VOLTAGES ARE +/-20% RELATIVE TO GROUND WITH A DVM UNDER THE FOLLOWING CONDITIONS:
 UNIT AT RATED LINE VOLTAGE
 4. 80% RESISTIVE LOAD CONNECTED TO J2
 FX LEVEL CONTROL AT FULL COUNTER VOLUME CONTROL AT "1/2"
 ALL OTHER CONTROLS AT "1/2"
 JACK INSERTED AT J1. VOICE SWING SET IN 4
 NO INPUT SIGNAL (TP1-TP6, TP9)
- ADDITIONAL COMMENTS (TP1-TP9):
 SONY SBC SENSITIVE INPUT TO J7
9. THIS SCHEMATIC IS FOR PCB FABRICATION P/N 736CHW004 AND PCB ASSEMBLY P/N 736CHW007.
10. ALL DIMENSIONS ARE 1/16" UNLESS OTHERWISE NOTED.
11. ALL POLARIZED CAPACITORS IN μ F, 20% OR BETTER. 50V MINIMUM. POWER SUPPLY BYPASS CAPACITORS ARE 20V.
12. ALL RESISTORS IN OHMS, 5% 1/4W.
- NOTES: (UNLESS OTHERWISE NOTED)

THIS DOCUMENT CONTAINS INFORMATION OF A PROPRIETARY NATURE TO FENDER MUSICAL INSTRUMENTS AND IS SUBMITTED TO YOU IN CONFIDENCE AND SHALL NOT BE REPRODUCED OR TRANSMITTED TO OTHERS WITHOUT AUTHORIZATION FROM FENDER MUSICAL INSTRUMENTS.

Fender MUSICAL INSTRUMENTS
Corona, CA USA

CHECKED BY: _____
 DATE: _____

APPROVED BY: _____
 DATE: _____

DRAWN: LORENZEN [ENGR: LORENZEN]
 DATABASE FILE: 2736S.SCH

TITLE: SERVICE DIAGRAM, COMBINED (schematic)
VIBRO CHAMP XD

SIZE: DRAWING NUMBER: **D 736CKW003** REV. **A**
 RELEASE DATE: 13-JUN-07 SHEET: 1 OF 2

8

7

6

5

4

3

2

1

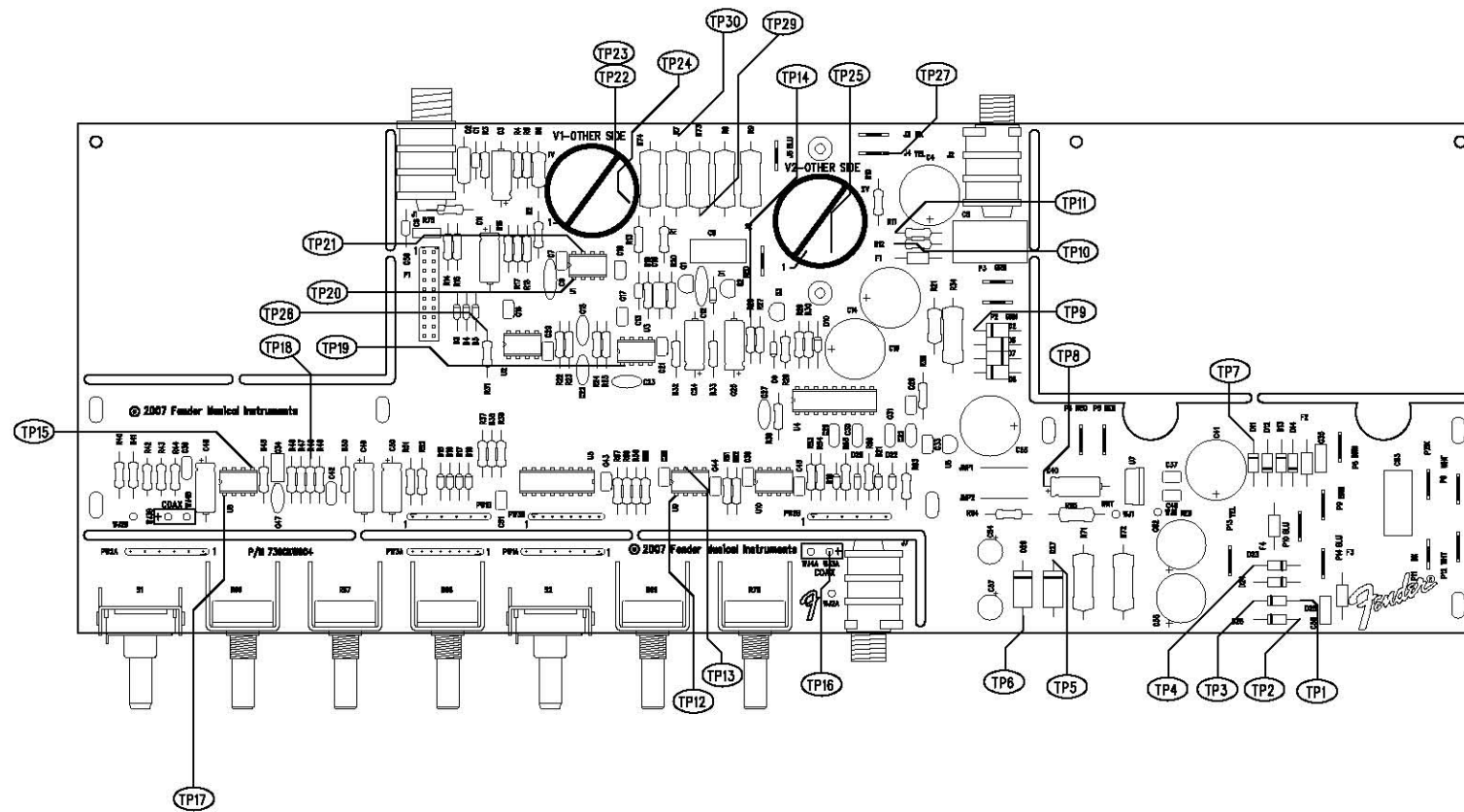
| REVISIONS | | | |
|-----------|-------------|-----------|----------|
| REV. | DESCRIPTION | DATE | APPROVED |
| A | PR736 | 13-JUN-07 | L E L |

D

C

B

A



FLJ/TPO SERVICE DIAGRAM
 DATABASE: Z736P.PCB DATE: 13-JUN-07

NOTES: (UNLESS OTHERWISE NOTED)

8

7

6

5

4

3

2

1

| | | | |
|---|--|--|----------------|
| <small>THIS DOCUMENT CONTAINS INFORMATION OF A PROPRIETARY NATURE TO FENDER MUSICAL INSTRUMENTS AND IS SUBMITTED TO YOU IN CONFIDENCE AND SHALL NOT BE REPRODUCED OR TRANSMITTED TO OTHERS WITHOUT AUTHORIZATION FROM FENDER MUSICAL INSTRUMENTS.</small> | MUSICAL INSTRUMENTS Corona, CA U.S.A. | | |
| | TITLE: SERVICE DIAGRAM, COMBINED (PCB assy) VIBRO CHAMP XD | | |
| | CHECKED BY: _____ DATE: _____ | SIZE: D DRAWING NUMBER: 736CKW003 | REV.: A |
| | APPROVED BY: _____ DATE: _____ DRAWN: HAN LE ENGR: LORENZEN DATABASE FILE: Z736P.PCB | RELEASE DATE: 13-JUN-07 | SHEET 2 OF 2 |