

- NOTES:
- 1.) RESISTORS ARE 1/2W FLU UNLESS OTHERWISE SPECIFIED.
 - 2.) ALL VOLTAGES MEASURED WITH RESPECT TO GROUND USING A DVM OF AT LEAST 100KΩ INPUT IMPEDANCE AND 100KΩ DC IMPEDANCE AT 120VAC 60Hz.
 - 3.) ALL VOLTAGES MEASURED WITH RESPECT TO GROUND USING A DVM OF AT LEAST 100KΩ INPUT IMPEDANCE AND 100KΩ DC IMPEDANCE AT 120VAC 60Hz.
- ALL VALUES MEASURED AT FULL COT.
 - DC VALUES MEASURED WITH NO SIGNAL PRESENT.
 - BIAS SET TO -35 VDC.

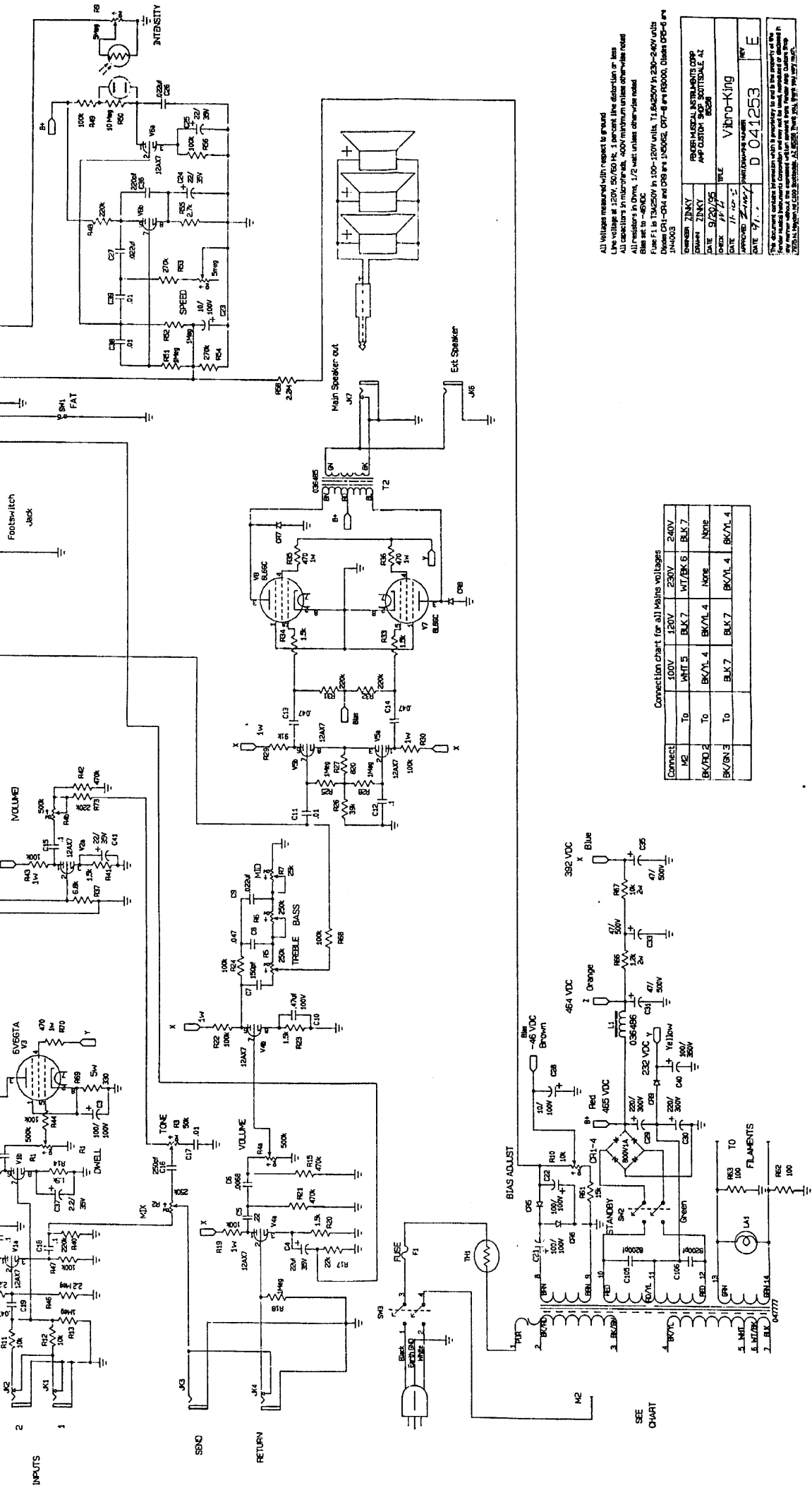
PROPRIETARY
 THIS DESIGN IS THE PROPERTY OF VIBRO-KING INSTRUMENTS AND IS NOT TO BE REPRODUCED OR TRANSMITTED IN ANY FORM OR BY ANY MEANS, ELECTRONIC OR MECHANICAL, INCLUDING PHOTOCOPYING, RECORDING, OR BY ANY INFORMATION STORAGE AND RETRIEVAL SYSTEM WITHOUT THE WRITTEN PERMISSION OF VIBRO-KING INSTRUMENTS, 1125 CALIFORNIA ST., BERKELEY, CALIFORNIA 94704.
 CREATED BY: JAMES GIFFORD
 DATE: 3-2-93

REVISIONS

| | |
|----------|---------------|
| DESIGNER | BRUCE ZIMNY |
| DRAWN | JAMES GIFFORD |
| DATE | 2-3-90 |
| CHECKED | AM |
| DATE | 3-2-93 |
| APPROVED | JG |
| DATE | 2-10-93 |
| DATE | 3-2-93 |

TITLE: **VIBRO-KING**
 SCALE: 0158
 NONE
 DIBEK
 REV. 041253 A

| REV | BY | DATE | CHK |
|-----|---------------|----------|-----|
| A | REBASED CSR/4 | 3/7/93 | |
| B | EC 963 | 4/22/93 | |
| C | EC 1019 | 8/11/93 | |
| D | EC 1052 | 12/10/93 | |
| E | EC 1493 | 9/20/95 | PW |



All Voltages measured with respect to ground.
 Line voltage at 120V, 50/60 Hz. 1 percent line distribution or less.
 All capacitors in microfarads, 500V minimum unless otherwise noted.
 All resistors in Ohms, 1/2 watt unless otherwise noted.
 BIAS set to -46VDC.
 Diode CR1-CR4 and CR8 are 1N5002, CR7-8 are 1N5000, Diodes CR5-6 are 1N4003.

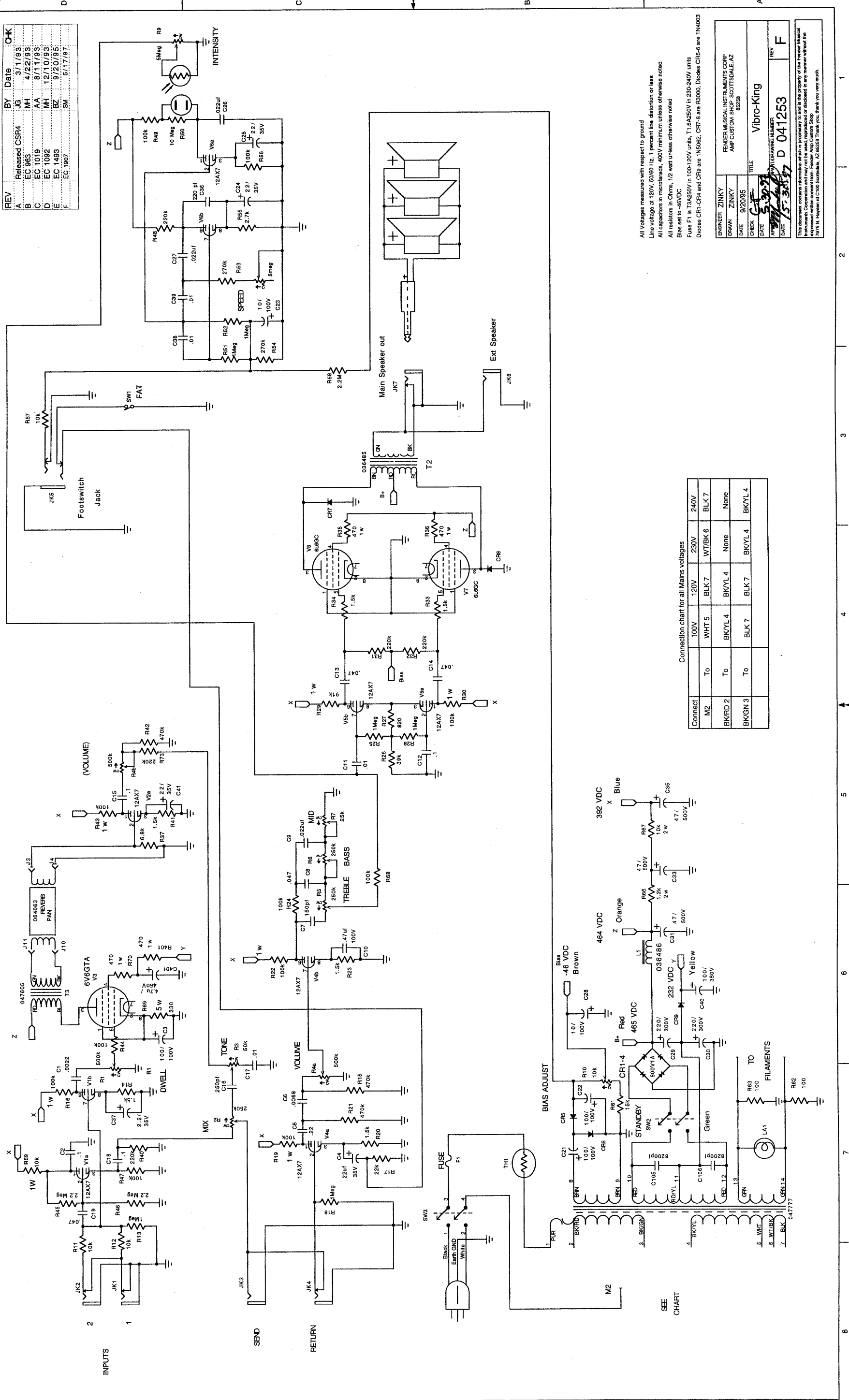
Connection chart for all Heats voltages

| Connect | 100V | 120V | 230V | 240V |
|---------|-------|---------|---------|---------|
| ME | WHT 5 | BLK 7 | WTRK 6 | BLK 7 |
| SK/DO 2 | To | BLK/L 4 | BLK 4 | NOTE |
| SK/BN 3 | To | BLK 7 | BLK/L 4 | BLK/L 4 |

GREEN ZINNY ROBEY/CALSON INSTRUMENTS CORP
 DAWN ZINNY
 DATE 9/20/95
 CHECK P/P
 DATE 11/10/95
 APPROVED P/P
 DATE 7/1/96
 VIBRO-KING
 PART NUMBER
 D 041293
 REV E

SEE CHART

| REV | BY | Date | CHK |
|-----|----|----------|-----|
| A | JG | 3/11/93 | |
| B | EC | 4/22/93 | |
| C | AA | 8/11/93 | |
| D | MH | 12/10/93 | |
| E | BZ | 9/20/95 | |
| F | SM | 5/17/97 | |

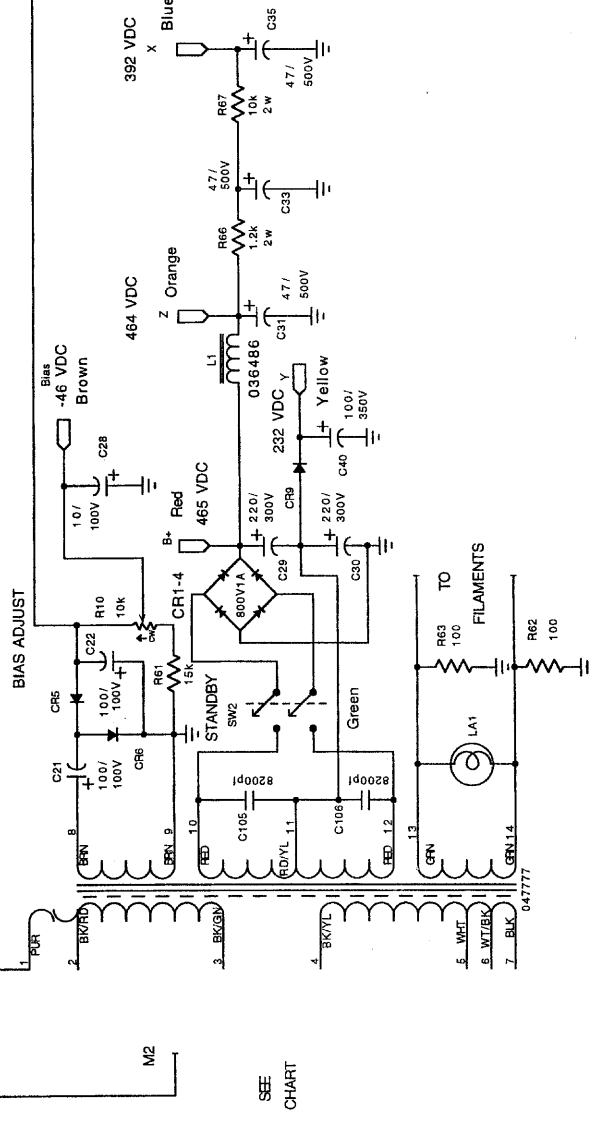


All Voltage measured with respect to ground
 Line voltage at 120V, 50/60 Hz, 1 percent line distortion or less
 All capacitors in microfarads, 400V minimum unless otherwise noted
 All resistors in Ohms, 1/2 watt unless otherwise noted
 Bias set to -46VDC
 Fuse F1 is T3A250V in 100-120V units, T1: 6A250V in 230-240V units
 Diodes CR1-CR4 and CR8 are 1N5062, CR7-8 are R3000, Diodes CR5-6 are 1N4003

| | | |
|----------|------------|---------------------------------|
| ENGINEER | ZINKY | FENDER MUSICAL INSTRUMENTS CORP |
| DRAWN | ZINKY | AMP CUSTOM SHOP SCOTTSDALE, AZ |
| CHECK | | REGB |
| DATE | 9/20/95 | |
| DATE | 5-30-97 | |
| DATE | 15-3-97 | |
| TITLE | Vibro-King | |
| REV | D 041253 | |
| REV | F | |

Connection chart for all Mains voltages

| Connect | To | 120V | 230V | 240V |
|---------|----|---------|-------|---------|
| M2 | To | WHT 5 | BLK 7 | WT/BK 6 |
| BK/YL 2 | To | BK/YL 4 | None | None |
| BK/GN 3 | To | BLK 7 | BLK 7 | BK/YL 4 |
| | To | BLK 7 | BLK 7 | BK/YL 4 |



SEE CHART

This document contains information which is proprietary to and in the property of the Fender Musical Instruments Corporation and may not be used, reproduced or disclosed in any manner without the expressed written consent from: Fender Amp Custom Shop, 7975 N. Hayden rd C100 Scottsdale, AZ 85258. Thank you, thank you very much.