

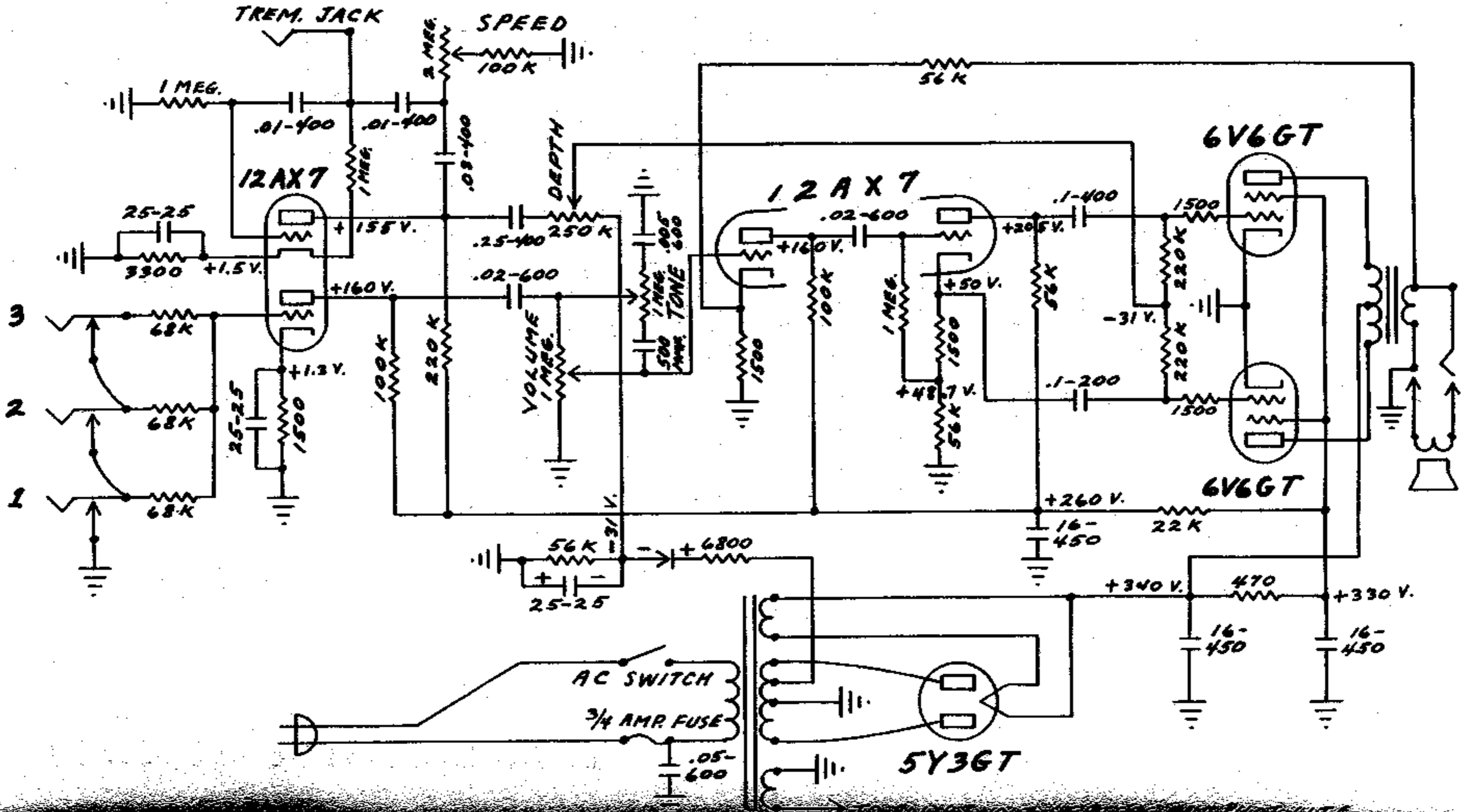
# FENDER "VIBROLUX" SCHEMATIC

## MODEL 5E11

G-EF

# NOTICE

VOLTAGES READ TO  
GROUND WITH V.T.V.M.  
VALUES SHOWN + OR - 20%



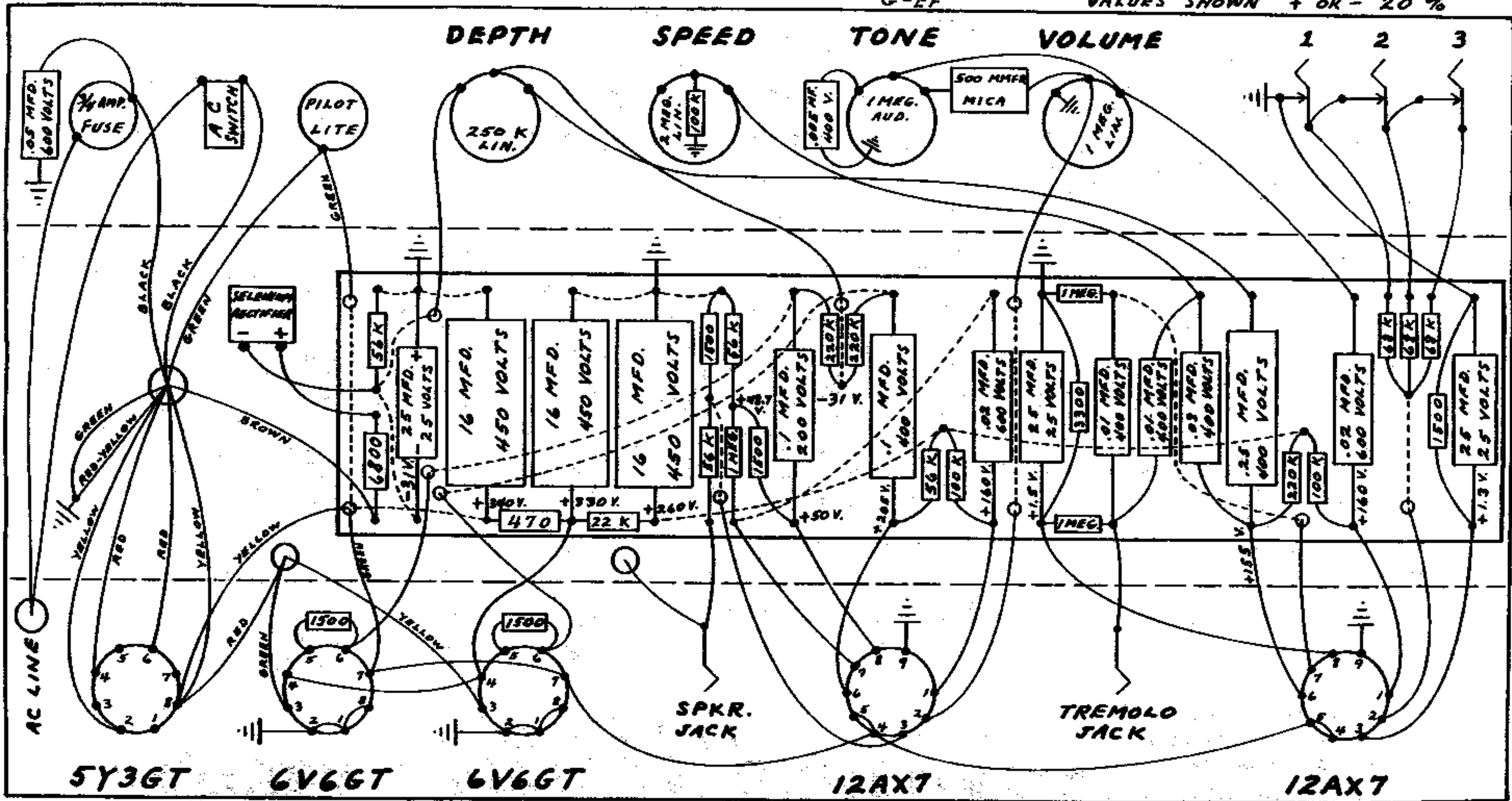
# FENDER "VIBROLUX" LAYOUT

MODEL 5E11

# NOTICE

VOLTAGES READ TO GROUND  
WITH ELECTRONIC VOLTMETER.  
VALUES SHOWN + OR - 20%

G-EF



5Y3GT

6V6GT

6V6GT

12AX7

12AX7