

# FENDER "VIBROLUX" SCHEMATIC

## MODEL 6G11

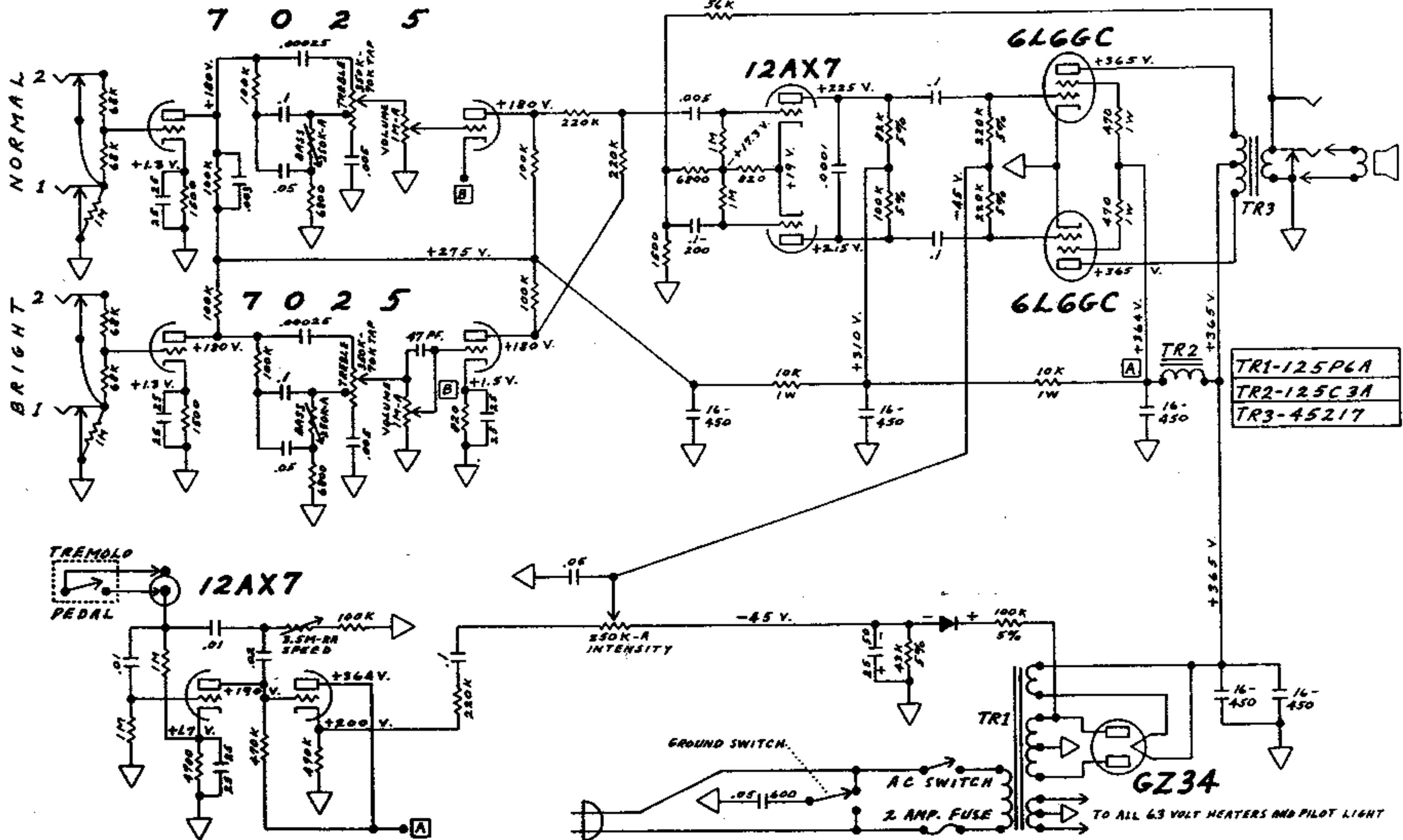
P/B

# NOTICE

- 1- VOLTAGES READ TO GROUND WITH ELECTRONIC VOLTMETER. VALUES SHOWN + OR - 20%.
- 2- ALL RESISTORS 1/2 WATT, 10% TOLERANCE IF NOT SPECIFIED.
- 3- ALL CAPACITORS AT LEAST 400 VOLT RATING IF NOT SPECIFIED.

CIRCUIT PATENT #2817708

7 0 2 5



TR1-125P6A
TR2-125C3A
TR3-45217

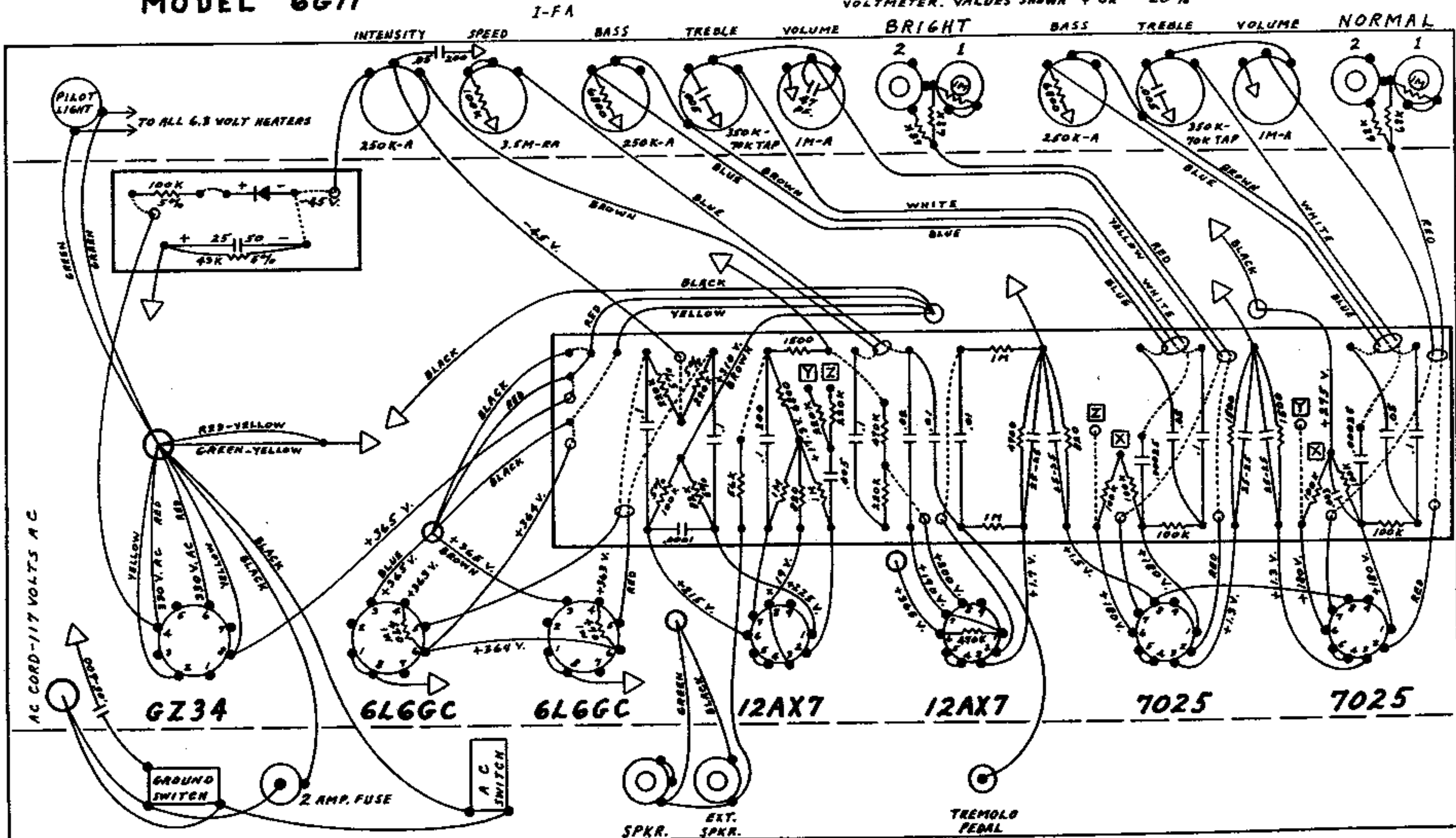
GZ34  
TO ALL 6.3 VOLT HEATERS AND PILOT LIGHT

# FENDER "VIBROLUX" LAYOUT

## MODEL 6G11

# NOTICE

VOLTAGES READ TO GROUND WITH ELECTRONIC VOLTMETER. VALUES SHOWN + OR - 20%.



NOTE - ALL RESISTORS 1/2 WATT, 10% TOLERANCE IF NOT SPECIFIED.

NOTE - ALL CAPACITORS AT LEAST 400 VOLT RATING IF NOT SPECIFIED.