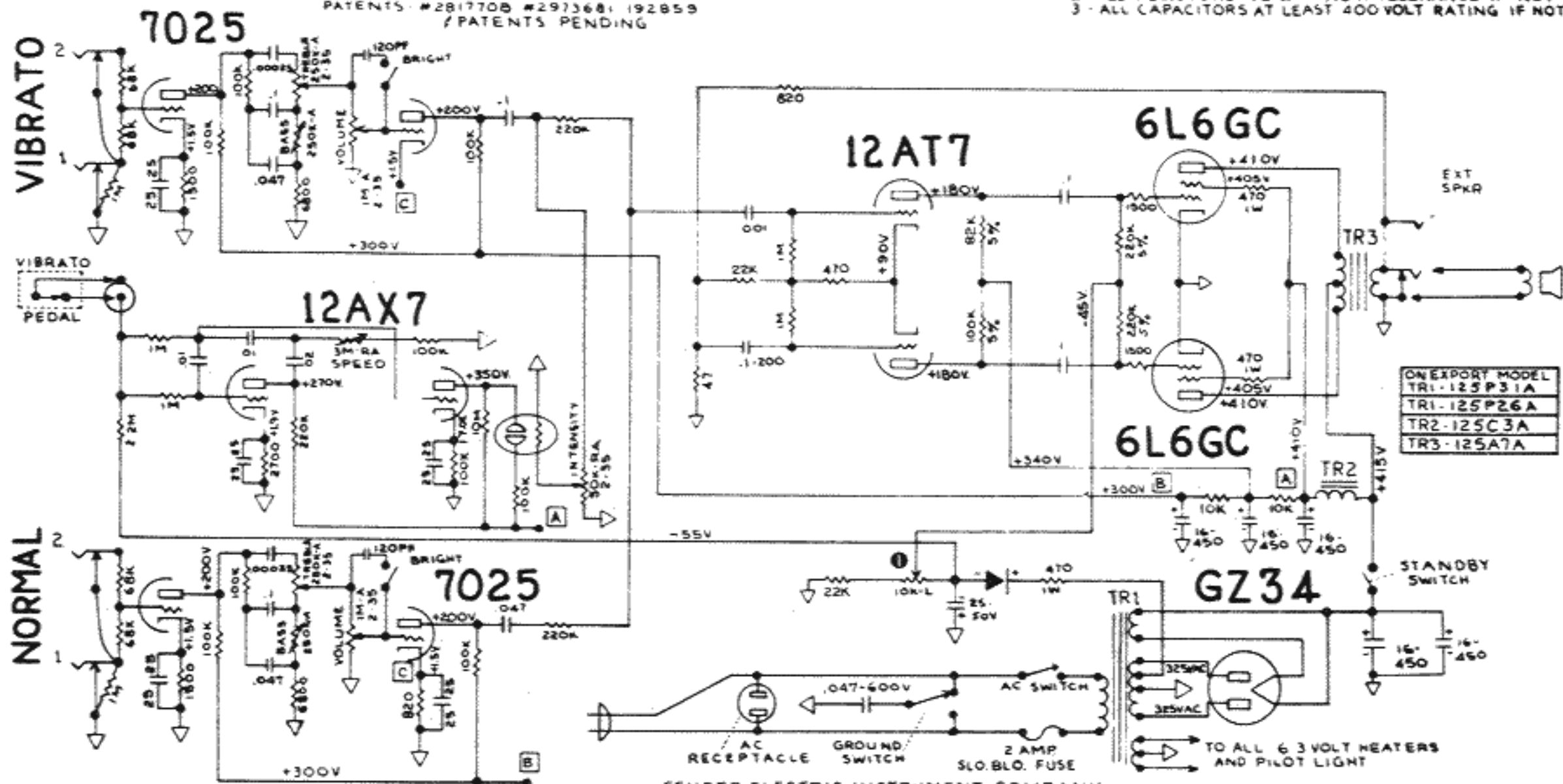


# FENDER "VIBROLUX-AMP AB763" SCHEMATIC

## NOTICE

THIS PRODUCT MANUFACTURED UNDER ONE OR MORE OF THE FOLLOWING U.S. PATENTS: #281770B #2973681 192859 / PATENTS PENDING C-FD

- 1 - VOLTAGES READ TO GROUND WITH ELECTRONIC VOLTMETER VALUES SHOWN + OR - 20%
- 2 - ALL RESISTORS 1/2 WATT, 10% TOLERANCE IF NOT SPECIFIED
- 3 - ALL CAPACITORS AT LEAST 400 VOLT RATING IF NOT SPECIFIED



ON EXPORT MODEL
TR1-125P31A
TR1-125P26A
TR2-125C3A
TR3-125A7A

FENDER ELECTRIC INSTRUMENT COMPANY  
FULLERTON, CALIFORNIA  
USA.