

CUSTOM VIBROLUX

SERVICE MANUAL



CONTENTS:

- Notices
- Specifications
- Parts lists:
 - PCB assembly
 - Chassis assembly
 - Cabinet assembly
 - Miscellaneous
- Schematics/diagrams

CUSTOM VIBROLUX

(This is the model name for warranty claims)

SERVICE MANUAL

JANUARY 1995

IMPORTANT NOTICE:

The information contained herein is CONFIDENTIAL and PROPRIETARY to Fender Musical Instruments Corp. It is disclosed solely for use by qualified technicians for purposes of equipment maintenance and service. It is not to be disclosed to others without the expressed permission of Fender Musical Instruments Co. All specifications subject to change without notice.

For warranty repair service, only Fender specified part numbers are to be used. It is recommended they also be used for post-warranty maintenance and repair.

Parts marked with an asterisk (*) indicate the required use of that specific part. This is necessary for RELIABILITY and SAFETY requirements. **DO NOT USE A SUBSTITUTE!**

A coded naming convention is used in the description of certain parts. The codes and what they mean are as follows:

CAPACITOR CODES

CAP AE = Aluminum Electrolytic
CAP CA = Ceramic Axial
CAP CD = Ceramic Disk
CAP MPF = Metalized Polyester Film
CAP MY = Mylar
CAP PFF = Polyester Film/Foil

RESISTOR CODES

RES CC = Carbon Comp
RES CF = Carbon Film
RES FP = Flame Proof
RES MF = Metal Film
RES WW = Wire Wound

HARDWARE CODES

BLX = Black Oxide
CR = Chrome Plated
HWH = Hex Washer Head
M = Machine Screw
NI = Nickel Plated
OHP = Oval Head Phillips
PB = Particle Board
PHP = Pan Head Phillips
PHPS = Pan Head Phillips Sems
SMA = Sheet Metal "A" Point
SMB = Sheet Metal "B" Point
SS = Stainless Steel
TF = Thread Forming
ZI = Zinc Plated

CUSTOM VIBROLUX PARTS LIST

PRINTED CIRCUIT BOARD ASSEMBLY

QTY	PART #	DESCRIPTION	REFERENCE DESIGNATION
1	041311	CABLE REVERB	P1-4
6	009512	CAP AE AX 22UF 25V 20%	C1,6,12,14,15,25
5	024819	CAP AE AX 22UF 500V	C31-35
1	024820	CAP AE AX 47UF 350V	C37
1	036654	CAP AE RDL 22UF 63V 20%	C30
1	031040	CAP AE RDL 100UF 100V 20%	C36
	025995	CAP CD/FS	
1	020909	CAP CD 47PF 1000V 10%	C11
2	020867	CAP CD 330PF 1000V 10%	C2,7
1	020842	CAP CD 500PF 1000V 10%	C13,18
1	020842001	CAP CD 500PF 1000V 10%	C16
2	024849	CAP MP .0068UF 400V	C26,27
1	024833	CAP MPF RDL .047UF 400V 10%	C17
2	024839	CAP MPF .033UF 400V	C23,24
2	024845	CAP MPF RDL .047UF 400V 10%	C4,9
1	024853	CAP MPF RDL .1UF 250V 10%	C19
4	024854	CAP MPF RDL .1UF 400V 10%	C3,8,28,29
2	024855	CAP MPF RDL .1UF 630V 10%	C21,22
2	026204	CAP PFF RDL .0068UF 600V	C5,10
1	036964	CONTROL 100K LINEAR	R30 (REVERB)
2	036965	CONTROL 250K 10% AYDUI	R7,18 (BASS)
2	036967	CONTROL 250K 20% AUDIO W/TAP	R9,20 (TREBLE)
1	036962	CONTROL SNAPIN 250K TAPER	R57 (INTENSITY)
1	036963	CONTROL 1 MEG 10% REV AUDIO	R54 (SPEED)
2	036966	CONTROL 1 MEG 20% AUDIO	R10,21 (VOLUME)
5	026730	DIODE 1N4006/1N5062 800PRV 1A	CR1-5
14	025802	FSTN TAB MALE .250X.032 PCB MT	CP1,2,5-14,28,29,31,33,35,36
14	026000	FSTN TAB AMALE PCB MT .187X.032	CP15-26,37,38
1	022546	FUSE HOLDER PCB MTG UNIVERSAL	XF1
1	022547	FUSE CARRIER 3AG	
1	077982	FUSE QA 1-1/4X1/4 250V 3A	
4	037117	JACK PCB MONO CLOSED CKT	J1-4 (NORMAL BRIGHT INPUTS)
1	013043	JACK PHONE STEREO 12B	J5 (FOOTSWITCH)
1	049183	JUMPER WIRE 22GA .8X.175	
13	020888	JUMPER WIRE 22GA .5X.175	W1-10,12-14, ACROSS R42
1	036989	PCB 63 VIBROVERB	(RAW BOARD)
	047555	PCB ASSY VIBROLUX	(STUFFED)
2	026368	RES CF 1/2W 5% 100 OHM	R62,63
1	048903	RES CF 1/2W 5% 2.7K	R58
1	048903	RES CF 1/2W 5% 18K	R59
1	025832	RES CF 1/2W 5% 22K	R22
1	028857	RES CF 1/2W 5% 68K	R64
1	025115	RES CF 1/2W 5% 82K	R43
6	025116	RES CF 1/2W 5% 100K	R4,15,29,34,44,55
1	036957	RES CF 1/2W 5% 470K	R51
2	024964	RES CF 1/4W 5% 820 OHM	R24,39
4	024969	RES CF 1/4W 5% 1.5K	R5,16,28,33
1	024977	RES CF 1/4W 5% 4.7K	R52
2	024979	RES CF 1/4W 5% 6.8K	R8,19
1	024987	RES CF 1/4W 5% 22K	R56
1	028865	RES CF 1/4W 5% 30K	R53
4	024995	RES CF 1/4W 5% 68K	R1,2,12,13
1	024996	RES CF 1/4W 5% 82K	R65
2	024997	RES CF 1/4W 5% 100K	R6,17
3	025059	RES CF 1/4W 5% 220K	R27,45,46
2	028016	RES CF 1/4W 5% 300K	R49*,50
1	025063	RES CF 1/4W 5% 390K	R31
1	025065	RES CF 1/4W 5% 470K	R32
6	025069	RES CF 1/4W 5% 1M	R3,14,25,36,38,40
1	027347	RES FILM W1 5% 2.2K	R26

**CUSTOM VIBROLUX
PRINTED CIRCUIT BOARD ASSEMBLY (CONT)**

QTY	PART #	DESCRIPTION	REFERENCE DESIGNATION
1	49142	RES FILM 1W 5% 39K	R37
2	036468	RES MOX FP 1W 5% 470OHM	R47,48
2	036470	RES MOX FP 1W 5% 10K	R60,61
1	048365	RES MOX FP 1W 5% 18K	R23
1	028503	THERMISTOR 10 OHM 5A C60-11	TH1

CHASSIS ASSEMBLY

QTY	PART #	DESCRIPTION	REFERENCE DESIGNATION
7	018022	BUSHING SNAP 5/16X17/32 BLK	(@WIRES THROUGH CHASSIS)
1	026116	BUSHING SR .500X.063X7/16 BLK	(@ REVERB CABLE)
1	026038	BUSHING SR .625X.062X37/64 BLK	(@100V,120V&AUST OWR CABLE)
1	010401	BUSHING SR .625.125X37/64 WHT	(@230V & UK PWR CABLE)
1	026541	CABLE ASSY PWR W/.250 TAB 120V	(POWER CABLE 120V ONLY)
1	048463	CABLE ASSY PWR .250 TAB 100V	(POWER CABLE 100V ONLY)
1	033331	CABLE ASSY PWR 220/240V	(POWER CABLE 230V ONLY)
1	038602	CABLE ASSY PWR AUST .250 TAB	(PWR CABLE 240V AUSTRALIA)
1	040993	CABLE ASSY PWR 5A UK .250 TAB	(P CABLE UK 240V)
1	036486	CHOKE	L1
1	036993	CHS 63 VIBROVERB	(RAW CHASSIS)
1	049215	CHS ASSY VIBROLUX 120V	
2	022491	CLAMP CABLE NYL SCRW MNT 5/16	
1	032219	COLLAR-PILOT LIGHT	
1	037300	COVER CAPACITOR VIBROVERB	
2	029690001	DIODE HV 3KV 200MA LL	CR6,7 (@XV7 & XV8)
1	021956	JACK PHONE OPEN CIRCUIT 11	J7 (EXT. SPEAKER)
1	021550	JACK PHONE TIP SHUNT 12A	J6 (SPEAKER)
1	025718	JEWEL #20 PILOT LITE	
9	041263	KNOB VINTAGE CREAM	
7	016352	NUT HEX 3/8-32X3/32 TK NI	(@ FRONT/REAR PANEL JACKS)
1	031625	NUT HOLDER PILOT LIGHT 1/16-27	
6	022004	NUT KEPS #8-32 ZINC	(POWER OUTPUT XFMR MOUNT)
1	047562	PANEL FRONT VIBROLUX	
1	048991	PANEL REAR VIBROLUX	
1	021642	PILOT LIGHT #T47	
1	064063	REVERB UNI 4 SPRING 4AB 3C1B	(PAN)
1	032803	SCRW TF 6-32X1/4 PHP BLX	(REAR PANEL MOUNT)
26	038900	SCRW TF 6-32X1/4 PHP ZI	(@ TUBE SOCKETS, SMALL XFMR)
15	028937	SCRW TF 6-32X5/8 PHP ZI TAPTYT	(PCB MOUNTING)
4	037239	SCRW TF 8-32X3/8 PHP BLX	(@ OUTPUT XFMR, CABLE CLAMP)
15	025936	STANDOFF NYLON PCB SNAPIN 3/8"	PCB MOUNTING
1	036570	SWITCH TOGGLE DPST W/NUTS	S1 (POWER)
1	037039	SWITCH TOGGLE SPST W/NUTS	S3 (STANDBY)
1	023531	TUBE 12AT7	V3 (REVERB DRIVE)
5	013341	TUBE 7025/12AX7WA SOVIET MADE	
2	020424	TUBE RING UNIVERSAL (277H-2)	(@V7 & V8)
6	023598	TUBE SHIELD	(@ PREAMP TUBES V1-V6)
2	023580	TUBE SOCKET 8 PIN	XV7-8
6	023606	TUBE SOCKET 9 PN	XV1-6
2	039214	TUBE VACUUM 5881/6L6WGC	V7-8
2	9904300920	WASHER FLAT .482X.703 NI	(@ POWER STANDBY SWITCHES)
3	9904300100	WASHER LCK INTL 3/8X.681X.032	(@ REAR PANEL JACKS)
1	036968	XFMR OUTPUT VIBROVERB	T3
1	036958	XFMR POWER DOMESTIC VIBROVERB	T1
1	049180	XFMR PWR EXPT VIBROVERB/VLUX	T1 (EXPORT ONLY)
1	037099	XFMR REVERB VIBROVERB	T2

CABINET ASSEMBLY

QTY	PART #	DESCRIPTION	REFERENCE DESIGNATION
1	047558	CAB ASSY CUSTOM VIBROLUX	(COMPLETE CABINET)
1	047558002	BACK ASSY LOWER VIBROLUX	(LOWER BACKBOARD)
1	047558001	BACK ASSY UPPER VIBROLUX	(UPPER BACKBOARD)

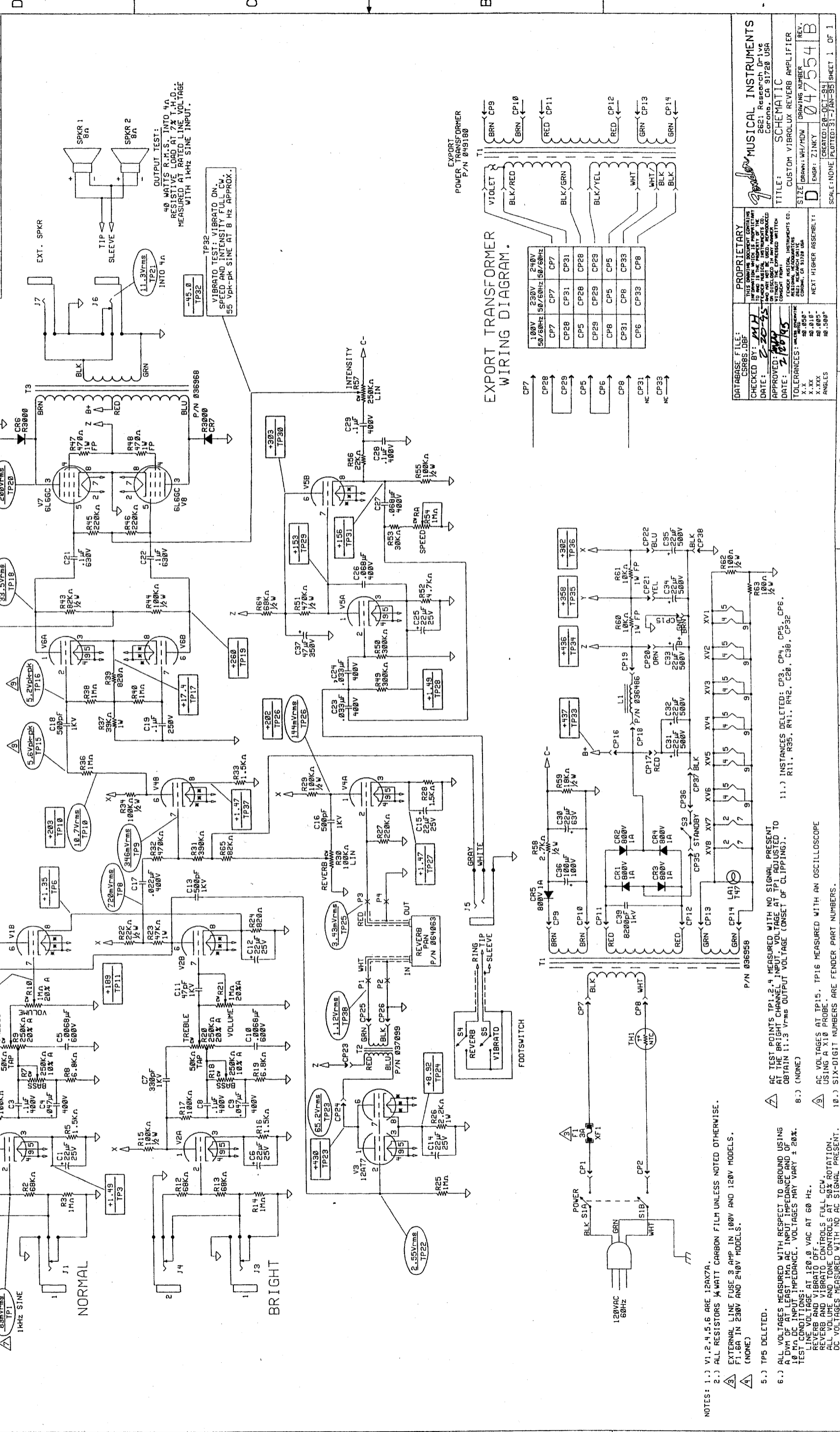
**CUSTOM VIBROLUX
CABINET ASSEMBLY (CONT)**

QTY	PART #	DESCRIPTION	REFERENCE DESIGNATION
1	028566	CABLE ASSY SPKR RT ANG 13-1/2"	(SPEAKER CABLE)
2	022491	CLAMP CABLE NYL SCRW MNT 5/16	
.652	036797	CLOTH GRILLE TAN/BRN	
4	024695	CORNER 2 HOLE W/ TAB NI CSK	
4	024653	GLIDE CABINET NICKEL PLATED	(NO INSERT)
1	036901	GRILLE BAFFLE ASSY VVERB/VLUX	
2	025395	HANDLE CAP 1 HOLE NI	
1	037121	HANDLE STRAP BRN	(NO INSERT)
4	022483	INSERT GLIDE CUSHION 1.02 DIA	(RUBBER ONLY)
1	032524	INSERT HANDLE	(SPRING STEEL)
2	024828	LEG AMP TILT 16"	
1	036795	NAMEPLATE 62 FENDER	
2	021998	NUT FLEX LOCK 10-32 W/NYLON IN	(TILT BACK LEG MOUNT)
2	021998	NUT FLEX LOCK 10-32 W/ NYLON IN	(TILT BACK LEG MOUNT)
10	021972	NUT T 10-32X3/7 STR 3 PRNG BLX	(SPEAKER & HANDLE MOUNT)
1	031849	REVERB BAG	(BAG ONLY)
4	037210	SCREW SMA 2X3/8 OHP NI	(LOGO MOUNT)
8	047821	SCRW M 10-32 3/4 THP STL BLX	(SPEAKER MOUNT)
2	022277	SCRW M 10-32X1-1/5 OHP NI	(TILT BACK LEG MOUNT)
4	022244	SCRW M 10-32X1-1/8 OHP NI CONE	(CHASSIS MOUNT)
4	022236	SCRW M 8-32X3-1/4 OHP NI CONE	(CHASSIS MOUNT)
7	029828	SCRW PB 8X3/4 PHP ZI	
4	037667	SCRW SM 8X3/4 FHP NI	
8	037952	SCRW SMA #6X1 OHP NI	(BACK BOARD MOUNT)
2	031344	SCRW SMA 10X3/4 OHP NI	(TILT BACK LEGS STOP MOUNT)
4	011678	SCRW SMA 8X1-1/2 OHP BLX	(BAFFLE MOUNT)
8	037543	SCRW SMAB 8X3/7 OHPNI	(CORNER MOUNT)
2	036457	SPEAKER 10" 8 OHM 30 WATTS	
2	024745	STRAP CHASSIS 4" NICKEL	(CHASSIS MOUNT)
1.62	040882	TOLEX CREAM	
2	024656	WASHER LEG STOP TN	(TILT BACK LEG STOP)
8	037215	WSHR C'SNK #6 NI	(BACKBOARD MOUNT)
6	022319	WSHR FLAT 1/4X6/16 NI	(TILT BACK LEG MOUNT, 3 PER)
2	022327	WSHR FLAT 8X7/16 NI	(REVERB BAG MOUNT)
4	029527	WSHR FNSH 8-5/8 FLNGD BLX WX	(BAFFLE MOUNT)
2	022285	WSHR SP LOCK 1/4X.493 ZI	(TILT BACK LEG MOUNT)

MISCELLANEOUS

QTY	PART #	DESCRIPTION	REFERENCE DESIGNATION
1	048993	MANUAL OWNERS VIBROLUX REVERB	
1	047557	SCHEM REDU W/SERV DIA VIBROLUX	

ZONE	REV.	DESCRIPTION	DATE	APPROVED
	A	RELEASED CSR8	08/09/94	
	B	EC 1306	30-JAN-95	MMU



EXPORT TRANSFORMER WIRING DIAGRAM.

100V	230V	240V
CP7	CP7	CP7
CP28	CP31	CP31
CP5	CP28	CP28
CP29	CP29	CP29
CP8	CP5	CP5
CP31	CP8	CP33
CP6	CP33	CP8

PROPRIETARY
THIS DRAWING DOCUMENT CONTAINS INFORMATION WHICH IS PROPRIETARY TO FENDER MUSICAL INSTRUMENTS CO. NO PART OF THIS DOCUMENT IS TO BE REPRODUCED OR DISCLOSED TO ANY WORKER WITHOUT THE EXPRESSED WRITTEN PERMISSION OF FENDER MUSICAL INSTRUMENTS CO.

MUSICAL INSTRUMENTS
2621 Resonance Dr.
Corona, CA 91720 USA

TITLE: SCHEMATIC
CUSTOM VIBROLOX REVERB AMPLIFIER
DRAWING NUMBER: 047554B
ENGR: ZINKY
REV. 1

SCALE: NONE PLOTTED: 31-JAN-95 SHEET 1 OF 1

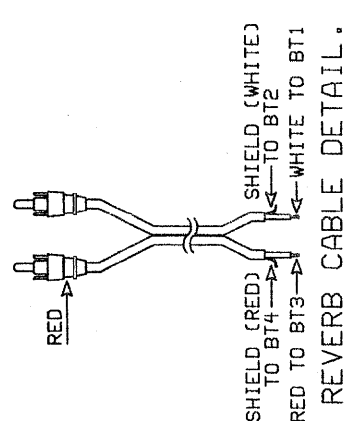
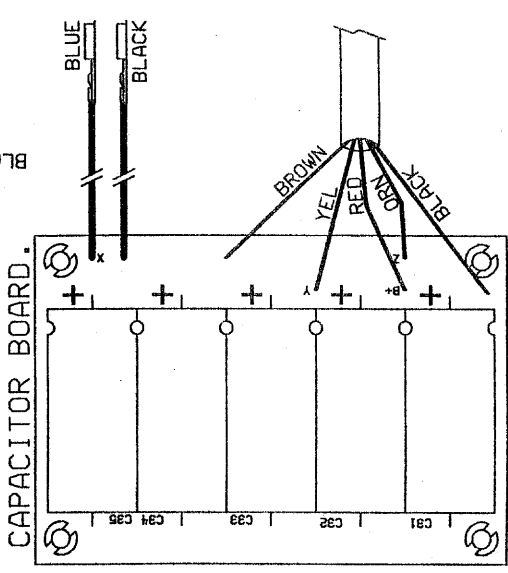
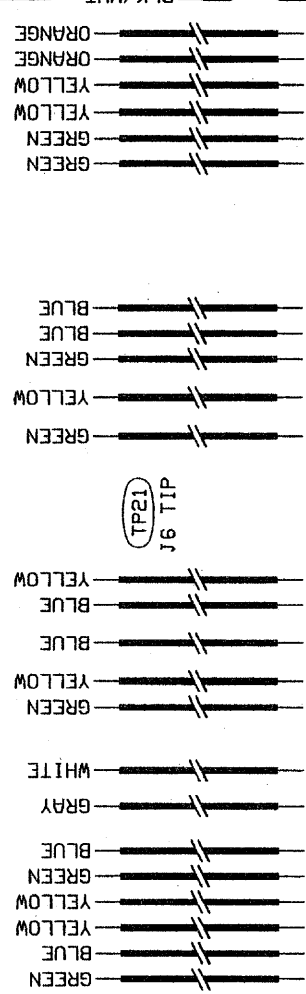
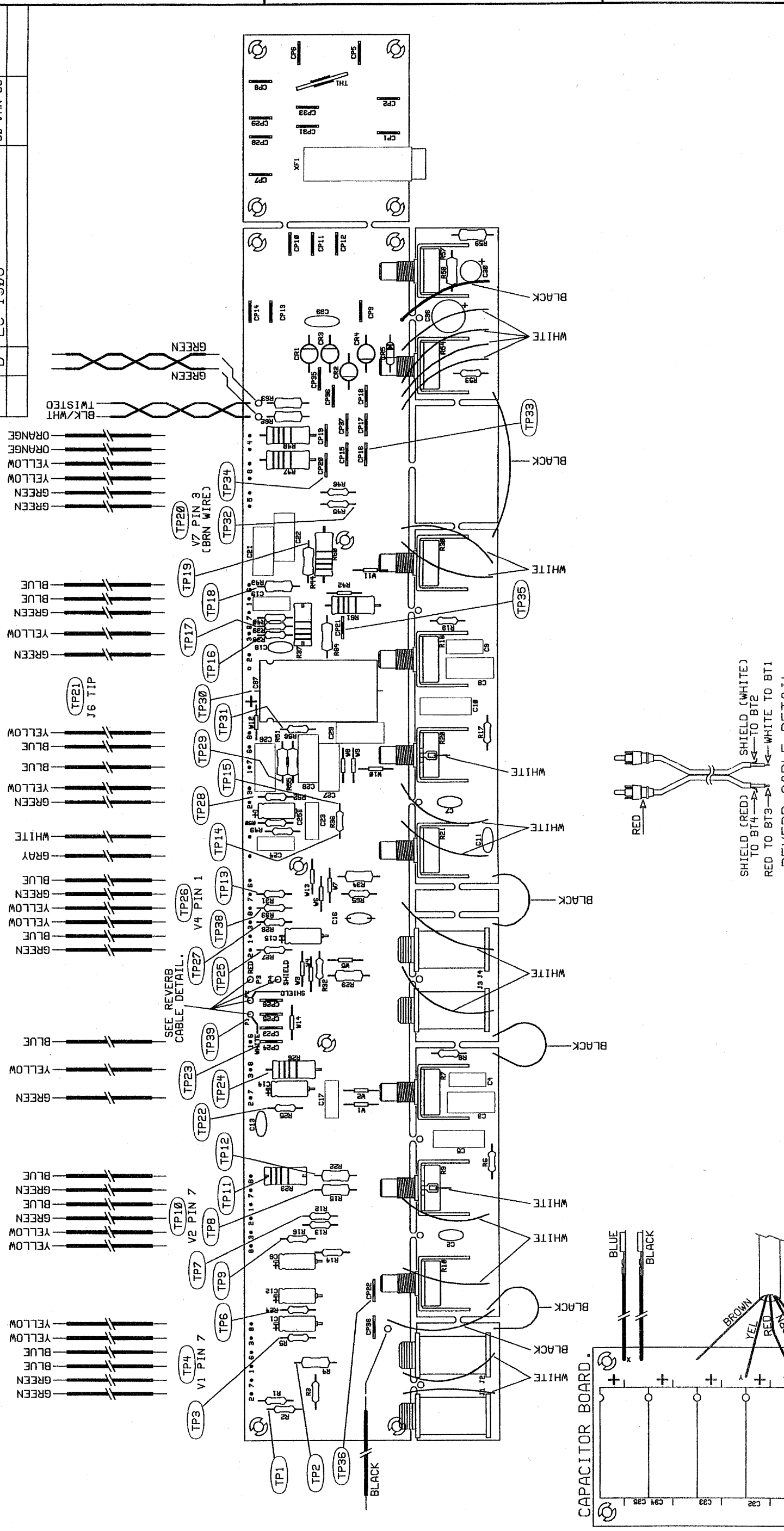
DATEBASE FILE: CSR8.DBF
CHECKED BY: M.H.
DATE: 2-20-95
APPROVED: M.H.
DATE: 2-20-95
TOLERANCES: UNLESS OTHERWISE SPECIFIED:
X.X .005"
X.XX .001"
X.XXX .0005"
ANGLES .500"

- NOTES: 1.) V1,2,4,5,6 ARE 12AX7A.
2.) ALL RESISTORS 1/4 WATT CARBON FILM UNLESS NOTED OTHERWISE.
3.) EXTERNAL LINE FUSE 3 AMP IN 100V AND 120V MODELS.
4.) F1,6A IN 230V AND 240V MODELS.
5.) TPs DELETED.
6.) ALL VOLTAGES MEASURED WITH RESPECT TO GROUND USING A DVM OF AT LEAST 100 AC INPUT IMPEDANCE AND OF 10 MA DC INPUT IMPEDANCE. VOLTAGES MAY VARY ± 20%.
7.) LINE VOLTAGE: AT 120.0 VAC AT 60 HZ.
8.) REVERB AND VIBRATO OFF.
9.) ALL VOLTAGES MEASURED WITH NO AC SIGNAL PRESENT.
10.) DC VOLTAGES MEASURED WITH NO AC SIGNAL PRESENT.
11.) INSTANCES DELETED: CP3, CP4, CP5, CP6, R11, R35, R41, R42, C20, C36, CP32.

1 2 3 4 5 6

C B A

REVISIONS				
ZONE	REV.	DESCRIPTION	DATE	APPROVED
	A	RELEASED CSR8	21-OCT-94	
	B	EC 1306	30-JAN-95	



PROPRIETARY THIS DRAWING DOCUMENT CONTAINS INFORMATION WHICH IS PROPRIETARY TO FENDER MUSICAL INSTRUMENTS CO. AND MAY NOT BE USED, REPRODUCED OR DISCLOSED IN ANY MANNER WITHOUT THE EXPRESSED WRITTEN CONSENT FROM FENDER MUSICAL INSTRUMENTS CO. CORONA, CA U.S.A.	DATABASE FILE: CSR8SER.DBF CHECKED BY: KEA-S DATE:	TITLE: SERVICE DIAGRAM FOR CUSTOM VIBROLUX REVERB AMP
	APPROVED: [Signature] DATE: 21-APR-2000 TOLERANCES: UNLESS OTHERWISE SPECIFIED X.X ±0.050" X.XX ±0.010" X.XXX ±0.005" ANGLES ±0.500°	SIZE: D DRAWING NUMBER: 047556 ENGR: ZINKY

FILM/DWG: SERVICE DIAGRAM DATABASE: CSR8SER.DBF LAYERS PLOTTED: 1 2 3 4 10 15	DATE: 27-APR-90 10
---	-----------------------

NOTES: 1.) PCB SHOWN AS FABRICATED, EXCEPT WITH CAPACITOR BREAK-AWAY BOARD SEPARATED.
 2.) TP5 DELETED.

1 2 3 4 5 6

C B A