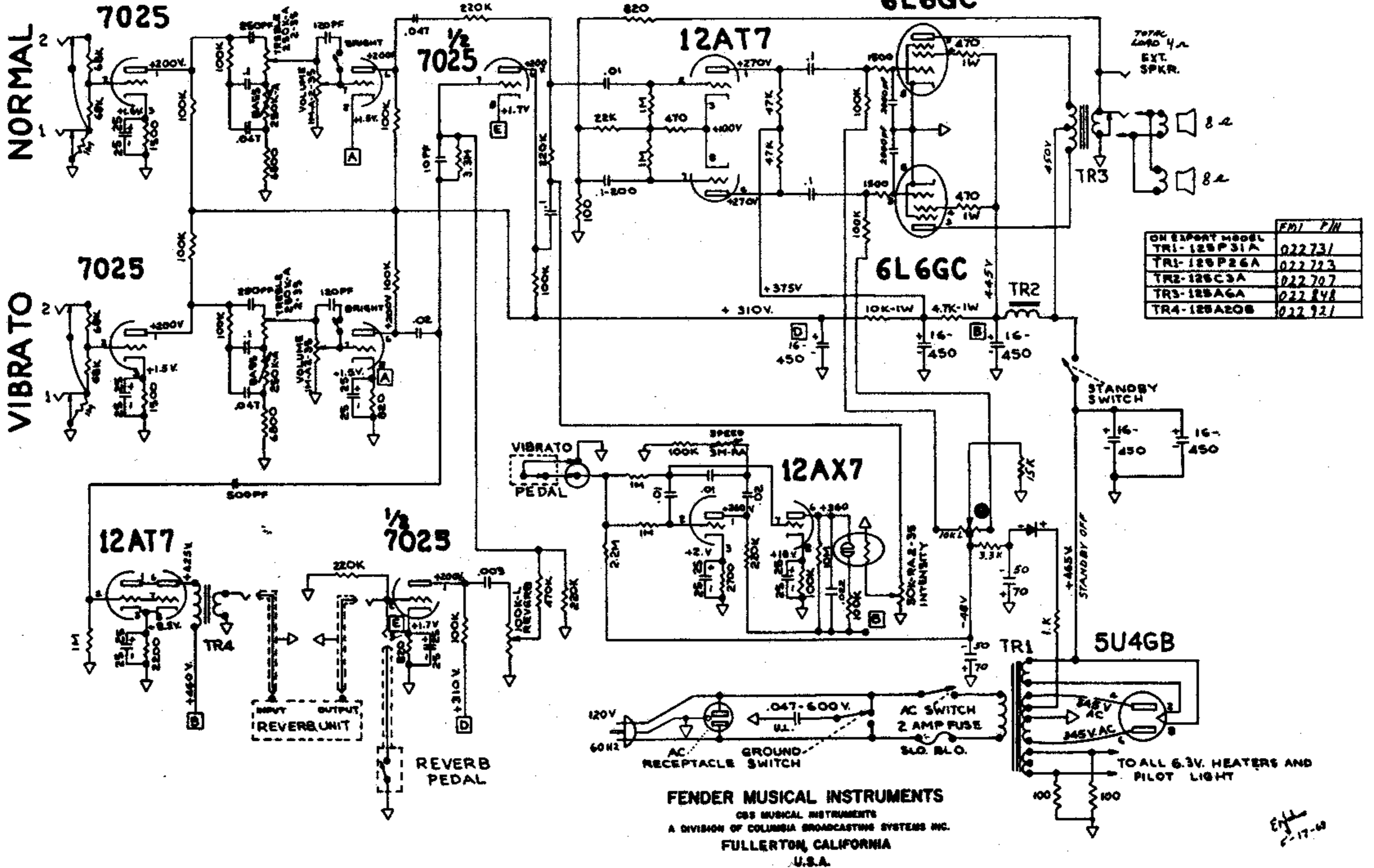


FENDER "VIBROLUX REVERB-AMP AA270" SCHEMATIC NOTICE

THIS PRODUCT MANUFACTURED UNDER ONE OR MORE OF THE FOLLOWING U.S. PATENTS: #2817708, #2973481, 192859 / PATENTS PENDING.

- 1- VOLTAGES READ TO GROUND WITH ELECTRONIC VOLTMETER VALUES SHOWN + OR - 20%.
- 2- ALL RESISTORS 1/2 WATT 10% TOLERANCE IF NOT SPECIFIED.
- 3- ALL CAPACITORS AT LEAST 400 VOLT RATING IF NOT SPECIFIED.
- 4- VIBRATO GROUNDING



ON SPEAKER MODEL	FBI PIN
TR1-128P31A	022731
TR2-128C3A	022707
TR3-128A6A	022848
TR4-128A20B	022921

FENDER MUSICAL INSTRUMENTS
 CBS MUSICAL INSTRUMENTS
 A DIVISION OF COLUMBIA BROADCASTING SYSTEMS INC.
 FULLERTON, CALIFORNIA
 U.S.A.

DWG. TITLE			
SCHEMATIC & WIRING DIAGRAM			
VIBROLUX REVERB-AMP			
P.C.	SIZE	DWG. NO.	REV.
	D	045443	F
SCALE	MODEL	TUBE TYPE	SHEET 1 OF 2
NONE		VIBROLUX-REV-AMP	

F	INCORPORATED ECN # 2053	2/11/70	
E	INCORPORATED ECN # 11-7		
D	INCORPORATED ECN # 11-74		
C	INCORPORATED ECN # 11-72	11-73	
B	INCORPORATED ECN # 1050	5-29-69	

Eng
2-17-69

THIS PRODUCT MANUFACTURED UNDER ONE OR MORE OF THE FOLLOWING
U.S. PATENTS #2817708, #2973681, #192859 AND PATENTS PENDING.

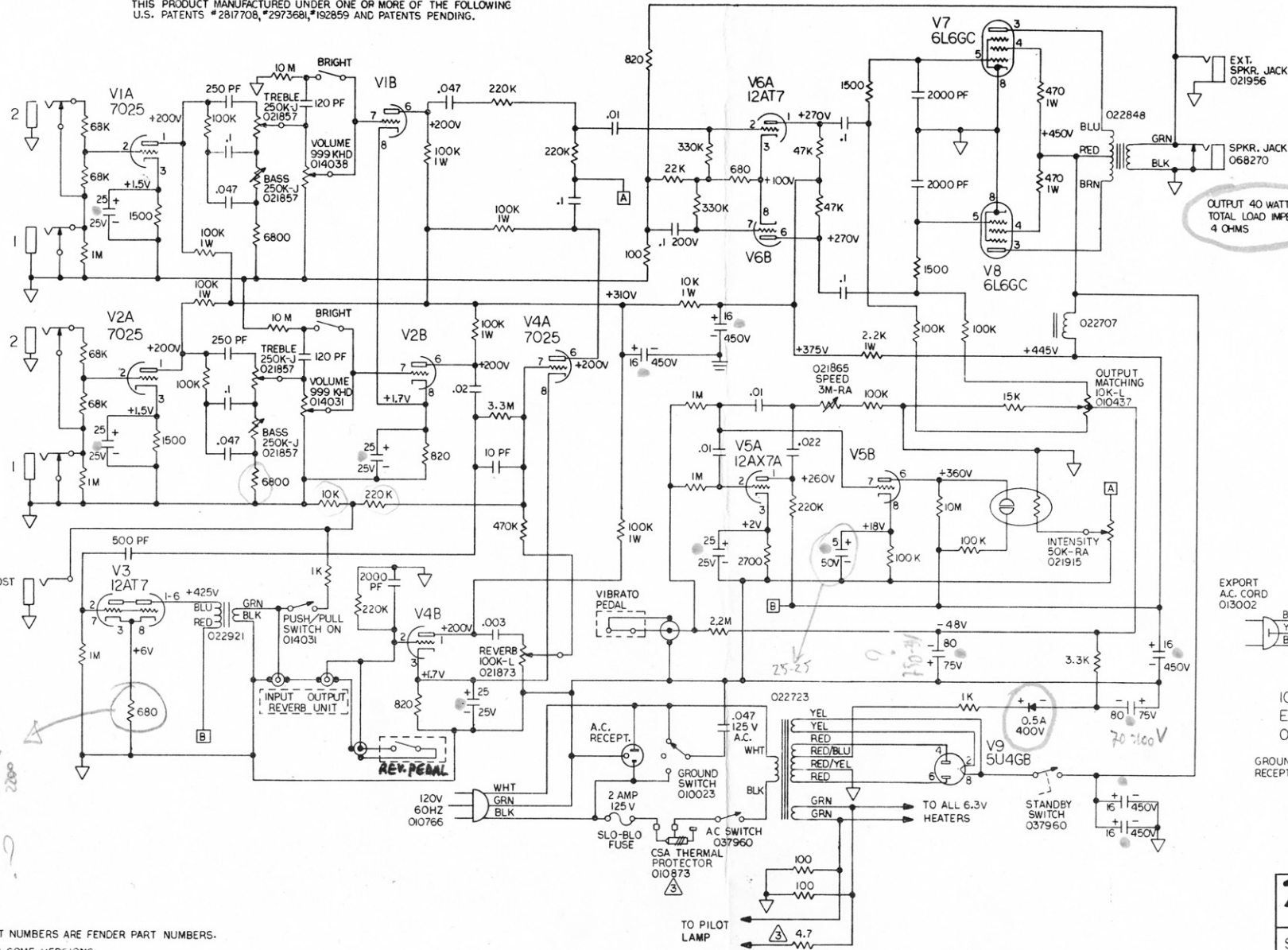
INPUTS

NORMAL

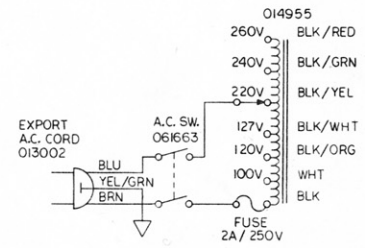
4 INPUT JACKS 068270

VIBRATO

VOLUME BOOST PEDAL JACK 021956



OUTPUT 40 WATTS
TOTAL LOAD IMPEDANCE
4 OHMS



100 TO 260 V
EXPORT VERSIONS
ONLY (50/60 Hz)
GROUND SWITCH .047 125V A.C. & A.C.
RECEPTACLE DELETED FOR EXPORT.

- 4 SIX DIGIT NUMBERS ARE FENDER PART NUMBERS.
- ⚠ USED IN SOME VERSIONS.
- 2 ALL CAPACITORS 600V MIN.
- 1 ALL RESISTORS 1/2 WATT, ±10%.

NOTES: UNLESS OTHERWISE SPECIFIED

Fender / ROGERS / Rhodes
CBS MUSICAL INSTRUMENTS — A DIVISION OF CBS, INC.
FULLERTON, CALIFORNIA 92631

PART NAME
SCHEMATIC —
VIBROLUX REVERB AMP WITH VOLUME
BOOST PEDAL

PART NO. 014888