

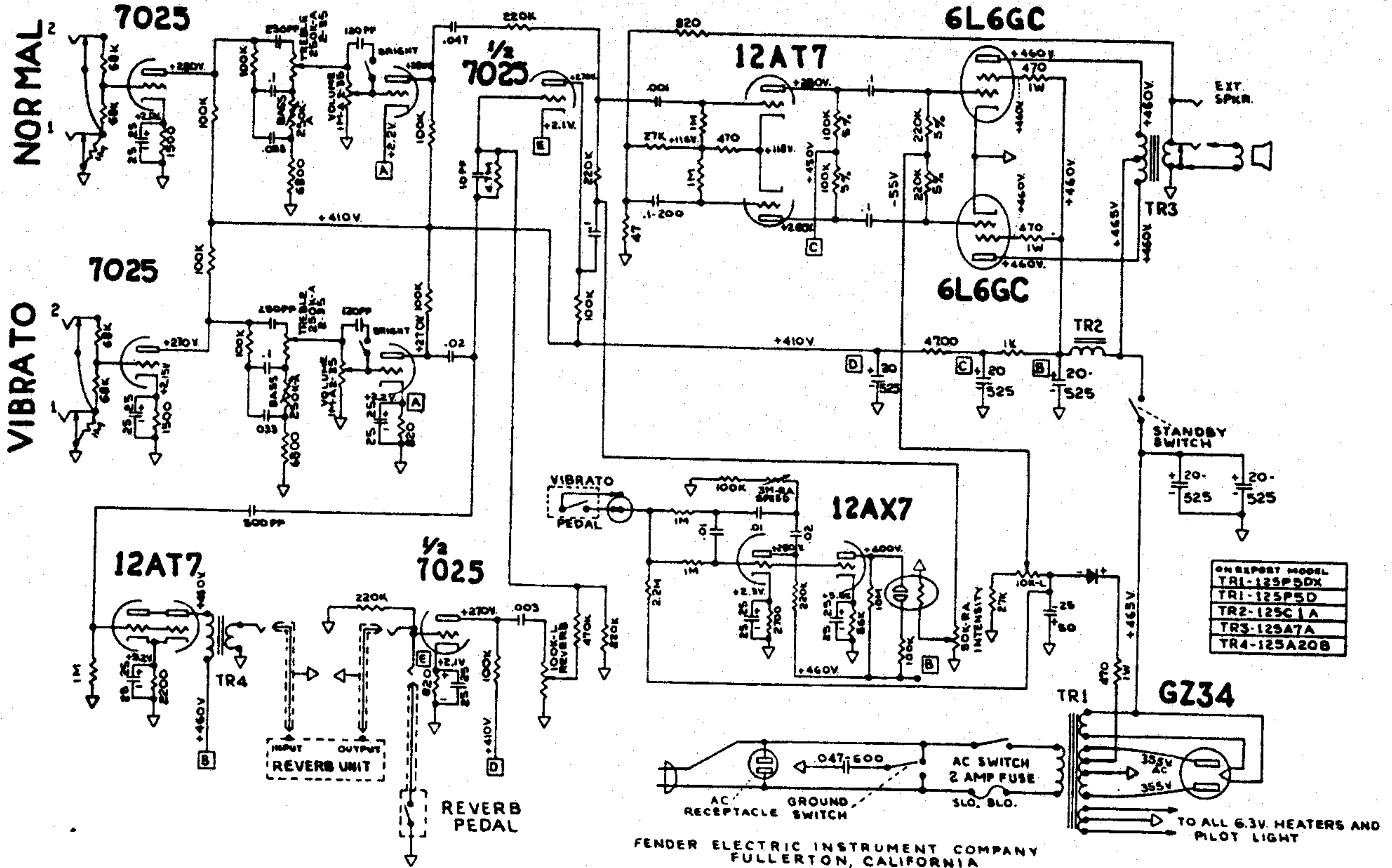
FENDER MODEL

"VIBROVERB AMP AA 763" SCHEMATIC NOTICE

THIS PRODUCT MANUFACTURED UNDER ONE OR MORE OF THE FOLLOWING U.S. PATENTS: #2817708, #2973681, 192859 / PATENTS PENDING

K - FC

1. VOLTAGES READ TO GROUND WITH ELECTRONIC VOLTMETER. VALUES SHOWN + OR - 20%.
2. ALL RESISTORS 1/2 WATT 10% TOLERANCE IF NOT SPECIFIED.
3. ALL CAPACITORS AT LEAST 400 VOLT RATING IF NOT SPECIFIED.



ON REPORT MODEL
TR1-125P5DX
TR1-125P5D
TR2-125C1A
TR3-125A7A
TR4-125A20B

FENDER ELECTRIC INSTRUMENT COMPANY
FULLERTON, CALIFORNIA

FENDER MODEL

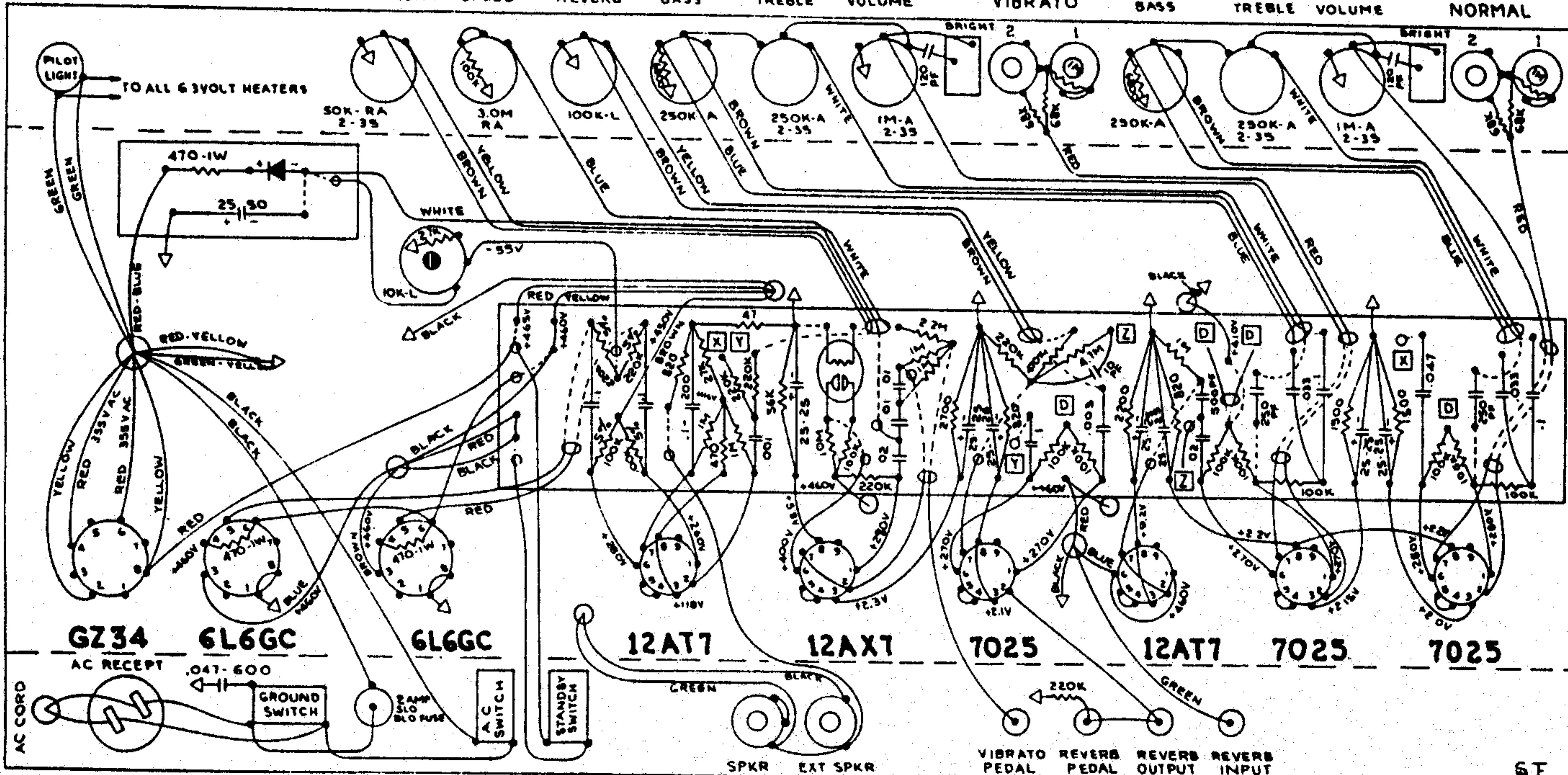
"VIBROVERB AMP AA763" LAYOUT

NOTICE

VOLTAGES READ TO GROUND WITH ELECTRONIC VOLTMETER VALUES SHOWN + OR - 20%.

K-FC

INTENSITY SPEED REVERB BASS TREBLE VOLUME VIBRATO BASS TREBLE VOLUME NORMAL



NOTE: ALL RESISTORS 1/2 WATT 10% TOLERANCE, IF NOT SPECIFIED

NOTE: ALL CAPACITORS AT LEAST 400 VOLT RATING IF NOT SPECIFIED.

FENDER ELECTRIC INSTRUMENT COMPANY
FULLERTON, CALIFORNIA