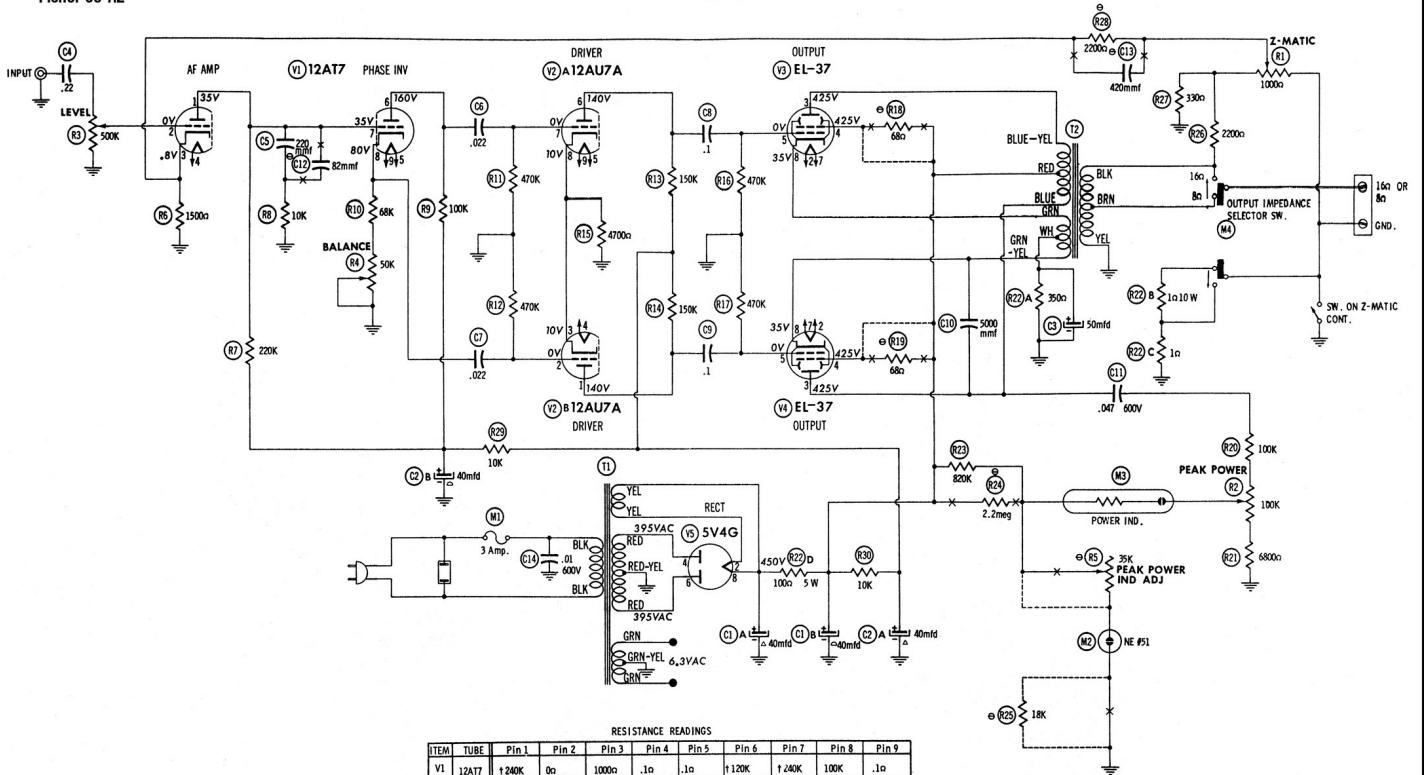


Fisher 80-AZ



RESISTANCE READINGS

ITEM	TUBE	Pin 1	Pin 2	Pin 3	Pin 4	Pin 5	Pin 6	Pin 7	Pin 8	Pin 9
V1	12AT7	†240K	0o	1000o	.1o	.1o	†120K	†240K	100K	.1o
V2	12AU7A	†160K	470K	4700o	.1o	.1o	†160K	470K	4700o	.1o
V3	EL-37	NC	.1o	230o	170o	470K	TP	.1o	370o	
V4	EL-37	NC	.1o	220o	170o	470K	TP	.1o	370o	
V5	5V4G	NC	33K	NC	95o	NC	90o	NC	33K	

† MEASURED FROM PIN 8 OF V5.  
 NC NO CONNECTION  
 TP TIE POINT  
 o SEE PARTS LIST FOR ALTERNATE VALUE OR APPLICATION

1. DC voltage measurements taken with vacuum tube voltmeter; AC voltages measured at 1000 ohms per volt.
2. Socket connections are shown as bottom views.
3. Measured values are from socket pin to common negative.
4. Line voltage maintained at 117 volts for voltage readings.
5. Nominal tolerance on component values makes possible a variation of ±1% in voltage and resistance readings.
6. All controls at minimum, proper output load connected.

## PARTS LIST AND DESCRIPTIONS

### TUBES (GENERAL ELECTRIC, SYLVANIA)

FISHER  
MODEL 80-AZ

ITEM No.	USE	TYPE	NOTES	ITEM No.	USE	TYPE	NOTES
V1	AF Amp., Phase Inv.	12A17		V4	Output	EL-37	
V2	Driver	12AU7A		V5	Rectifier	5V4G	
V3	Output	EL-37					

### ELECTROLYTIC CAPACITORS

ITEM No.	RATING		REPLACEMENT DATA						
	CAP.	VOLT.	FISHER PART No.	AEROVOX PART No.	CORNELL-DUBILIER PART No.	MALLORY PART No.	PYRAMID PART No.	SANGAMO PART No.	SPRAGUE PART No.
C1A	.40	500	C-522-114	AFH2-72	B0530	FP288	TMD-82	D-275	TVL-2940
C1B	.40	500							
C2A	.40	450	C-1798	AFH2-57	B0450	FP238	TMD-54	D-235	TVL-2764
C2B	.40	450							
C3	50	50	C-508-115	PR850V50	BR505	TC39	TD-50-50	FM-0550	TVL-1308

### FIXED CAPACITORS

Capacity values given in the rating column are in mfd. for Paper Capacitors, and in mmfd. for Mica and Ceramic Capacitors.

ITEM No.	RATING		REPLACEMENT DATA							NOTES
	CAP.	VOLT.	FISHER PART No.	AEROVOX PART No.	CENTRALAB PART No.	CORNELL-DUBILIER PART No.	ERIE PART No.	MALLORY PART No.	SPRAGUE PART No.	
C4	.22	200	C69P224V2	P286N-22		CUB2P22		PT4022	2TM-P22	
C5	.220		CC-210P221KH	NF0-21220		22K5T22			5TCC-T22	
C6	.022	400	68P223M4	P488N-022	D6-221	CUB4S22	817-02	PT4122	47M-822	
C7	.022	400	68P223M4	P488N-022		CUB4S22	817-02	PT4122	47M-822	
C8	.1	400	68P104M4	P488N-1	DF-104	CUB4P1		PT401	47M-P1	
C9	.1	400	68P104M4	P488N-1	DF-104	CUB4P1		PT401	47M-P1	
C10	5000		C-508-122	DI-005	DD-502	K080	811-005	DC-525	5GA-D5	
C11	.047	600	C-68P473M6	BPD-05	DF-503	CUB6847		PT6147	67M-847	
C12	.82			1469-000082	D6-820	TZ28	801-820		MB-482	Note 1
C13	.420									Note 1
C14	.01	800	C-2747	BPD-01	D6-103	CUB681	GP3-333-103	PT611	67M-S1	

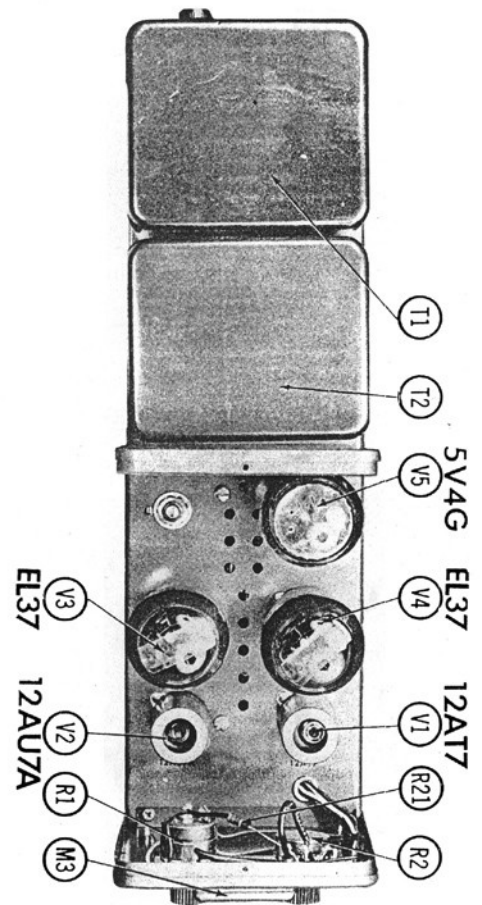
Note 1. Not used in some versions.

### CONTROLS

ITEM No.	RATING		REPLACEMENT DATA					INSTALLATION NOTES
	RESISTANCE	WATTS	FISHER PART No.	CENTRALAB PART No.	CLAROSTAT PART No.	IRC PART No.	MALLORY PART No.	
R1A	1000Ω	↓	R557-128	AB-5	A47-1000-S	QU-108	U4	Z-Matic
R1B	Shaft		Not Req.	AK-8	RS-3/16	NQ	D8-37	Attach to R1A
R2A	150K	↓	R557-121	KB-1	SWE-12	75-1	US-26	Attach to R1A
R2B	Shaft		Not Req.				U40	Peak Power
R3A	500K	↓	R-2815-9	AB-59	A47-500K-S	QU-133	D8-37	Attach to R2A
R3B	Shaft		Not Req.	AK-1	FKS-1/4	Not Req.	SU-50	Level
R4A	50K	↓	R-50000-5	AB-31	A47-50K-S	QU-123	Not Req.	Attach to R3A
R4B	Shaft		Not Req.	AK-1	FKS-1/4	RQ	SU-35	Balance
R5	35K	↓					Not Req.	Attach to R4A

Note 1. Not used in some versions.

## CHASSIS—TOP VIEW



## PARTS LIST AND DESCRIPTIONS (Continued)

### RESISTORS

All wattages 1/2 watt, or less, unless otherwise listed.

ITEM No.	RATING		REPLACEMENT DATA		NOTES	ITEM No.	RATING		REPLACEMENT DATA		NOTES
	OHMS	WATT	FISHER PART No.	IRC PART No.			OHMS	WATT	FISHER PART No.	IRC PART No.	
R6	1500Ω		RC-20BF152K	BTS-150K		R20	100K		RC-20BF104K	BTS-100K	
R7	220K		RC-20BF224K	BTS-220K		R21	6800Ω		RC-20BF682K	BTS-6800	
R8	10K		RC-20BF103K	BTS-10K		R22A	350Ω	} 10 5	R-557-128		
R9	100K		RC-20BF104K	BTS-100K		B	1Ω				
R10	68K		RC-20BF683K	BTS-68K		C	1Ω				
R11	470K		RC-20BF474K	BTS-470K		D	100Ω				
R12	470K		RC-20BF474K	BTS-470K		R23	820K		RC-20BF824K	BTS-820K	Note 1
R13	150K		RC-20BF154K	BTS-150K		R24	2.2Meg		BTS-2.2Meg		
R14	150K		RC-20BF154K	BTS-150K		R25	18K		RC-20BF183K	BTS-18K	Note 1
R15	4700Ω		RC-20BF472K	BTS-4700		R26	2200Ω		RC-20BF222K	BTS-2200	
R16	470K		RC-20BF474K	BTS-470K		R27	330Ω		RC-20BF331K	BTS-330	
R17	470K		RC-20BF474K	BTS-470K		R28	2200Ω		RC-20BF222K	BTS-2200	
R18	68Ω		BTS-68		Note 1	R29	10K		RC-20BF103K	BTS-10K	
R19	68Ω		BTS-68			R30	10K		RC-20BF103K	BTS-10K	

Note 1. Not used in some versions.

### TRANSFORMER (POWER)

ITEM No.	RATING				REPLACEMENT DATA					
	PRI.	SEC. 1	SEC. 2	SEC. 3	FISHER PART No.	Haldorson PART No.	Merit PART No.	Stancor PART No.	Thordarson PART No.	Triad PART No.
T1	117VAC @1A	800VCT @.110ADC	8.3VCT @3.2A		T-557-123					

### TRANSFORMER (AUDIO OUTPUT)

ITEM No.	IMPEDANCE		REPLACEMENT DATA					NOTES	
	PRI. 1	SEC.	FISHER PART No.	Haldorson PART No.	Merit PART No.	Stancor PART No.	Thordarson PART No.		Triad PART No.
T2	4300Ω CT	18Ω lap @ 94Ω	T-557-122						
	PRI. 2 280Ω CT								

### FUSES

ITEM No.	TYPE	RATING	REPLACEMENT DATA					
			FISHER		LITTELFUSE		BUSS	
			PART No.	HOLDER	PART No.	HOLDER	PART No.	HOLDER
M1	3AG	3A 250V			312003. (3AG 3A)	34200L	AGC 3	HKP

### MISCELLANEOUS

ITEM No.	PART NAME	FISHER PART No.	NOTES
M2	Neon Bulb	V-NE-51	#NE51. Voltage Regulator
M3	Neon Bulb	1-557-120	Power Indicator
M4	Switch	S-805-117	Output Impedance Selector (DPDT-Slide Type)

## CHASSIS—BOTTOM VIEW

