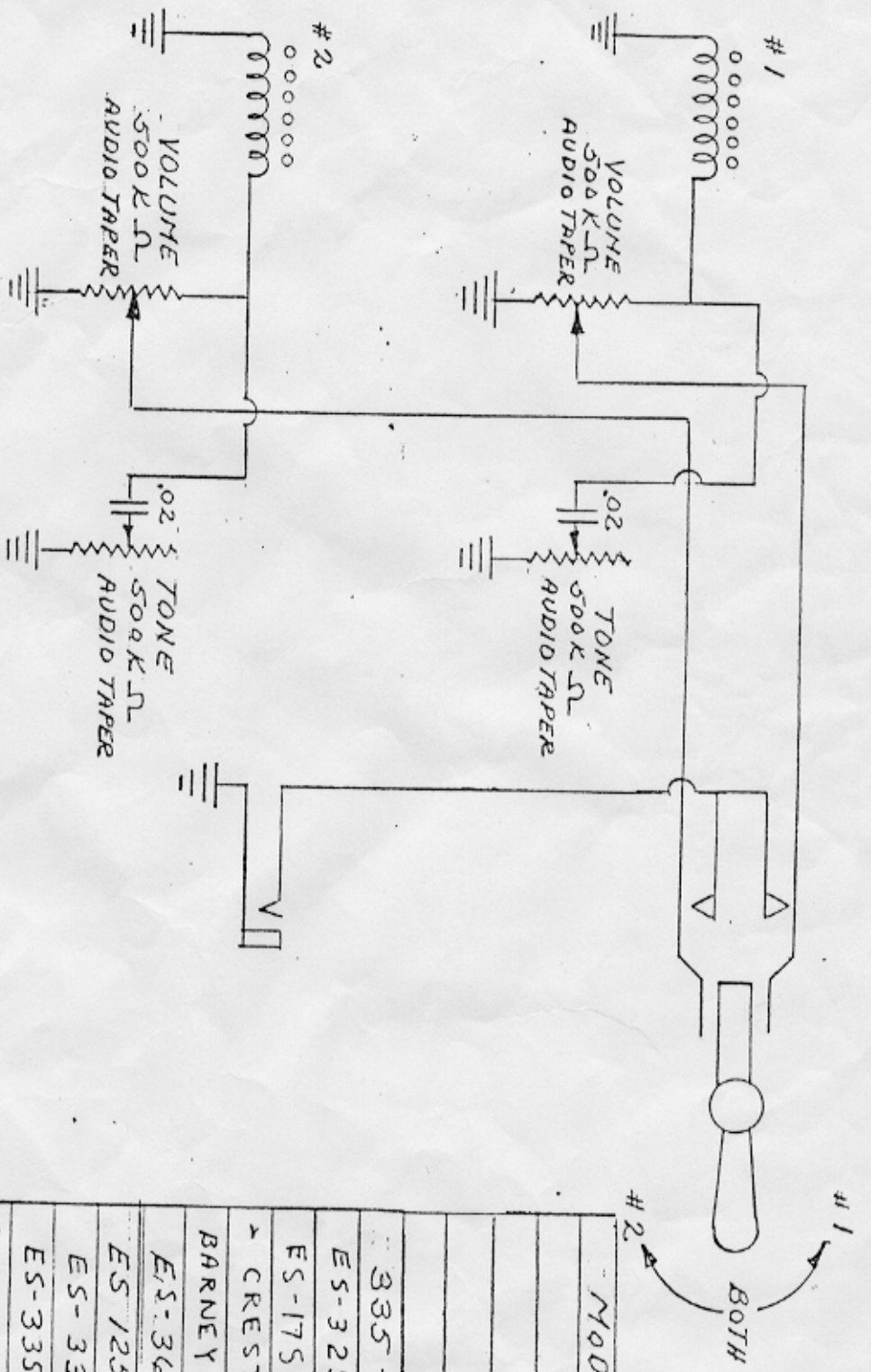


THIN LINE



**NOTE:**  
 MODELS AFTER 7-1-73 USE  
 300KA CONTROLS, GIBSON  
 PART # 70-028

MODELS
335-PRO. 9579
ES-325TD
ES-175T
CREST
BARNET KESSEL
ES-360
ES-125D
ES-330TD
ES-335TD-12
ES-335TD
BYRDLAND
ES-125TD
ES-355TD
ES-350TD

LETTER	WAS	DATE	SCALE
			NO. REQ.
			HEAT TREAT.
			FINISH
			REDRAWN DISCHECKED

PART NAME	KIND	AMOUNT	MATERIAL
GIBSON, INC.			
KALAMAZOO, MICH.			
ORIGINAL DATE JULY-1965			
REDRAWN DATE 11-26-74			
SCHEMATIC - CONTROLS			