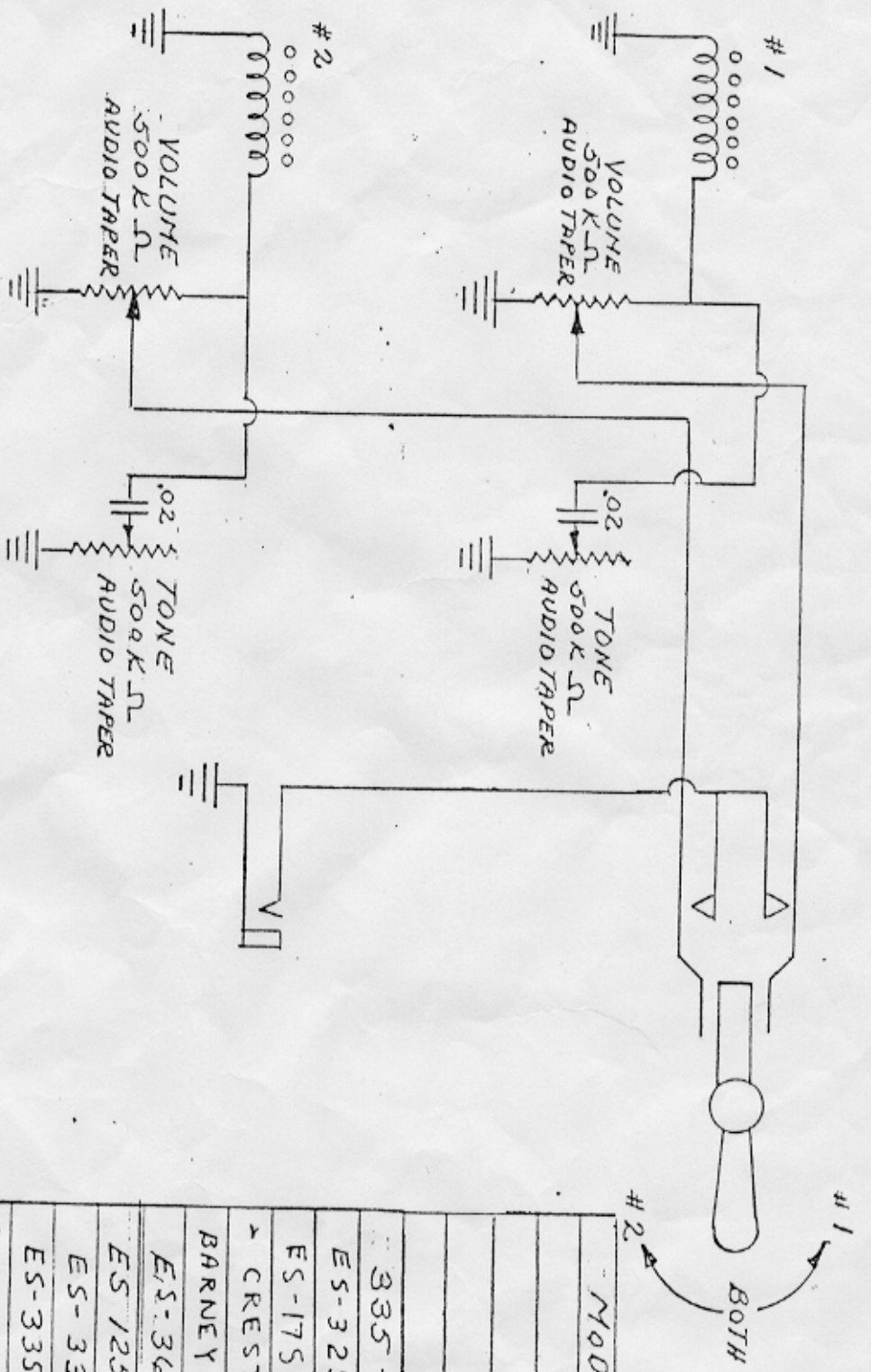


THIN LINE



**NOTE:**

MODELS AFTER 7-1-73 USE  
300KA CONTROLS, GIBSON  
PART # 70-028

MODELS
335-PRO. 9579
ES-325TD
ES-175T
CREST
BARNET KESSEL
ES-360
ES-125D
ES-330TD
ES-335TD-12
ES-335TD
BYRDLAND
ES-125TD
ES-355TD
ES-350TD

LETTER	WAS	DATE	SCALE	<b>GIBSON, INC.</b> <b>KALAMAZOO, MICH.</b> ORIGINAL DATE JULY-1965 REPAIR DATE 11-26-74
			NO. REQ.	
			HEAT TREAT.	
			FINISH	
			REDRAWN DISCHECKED	

PART NAME	SCHEMATIC - CONTROLS
KIND	
AMOUNT	
MATERIAL	