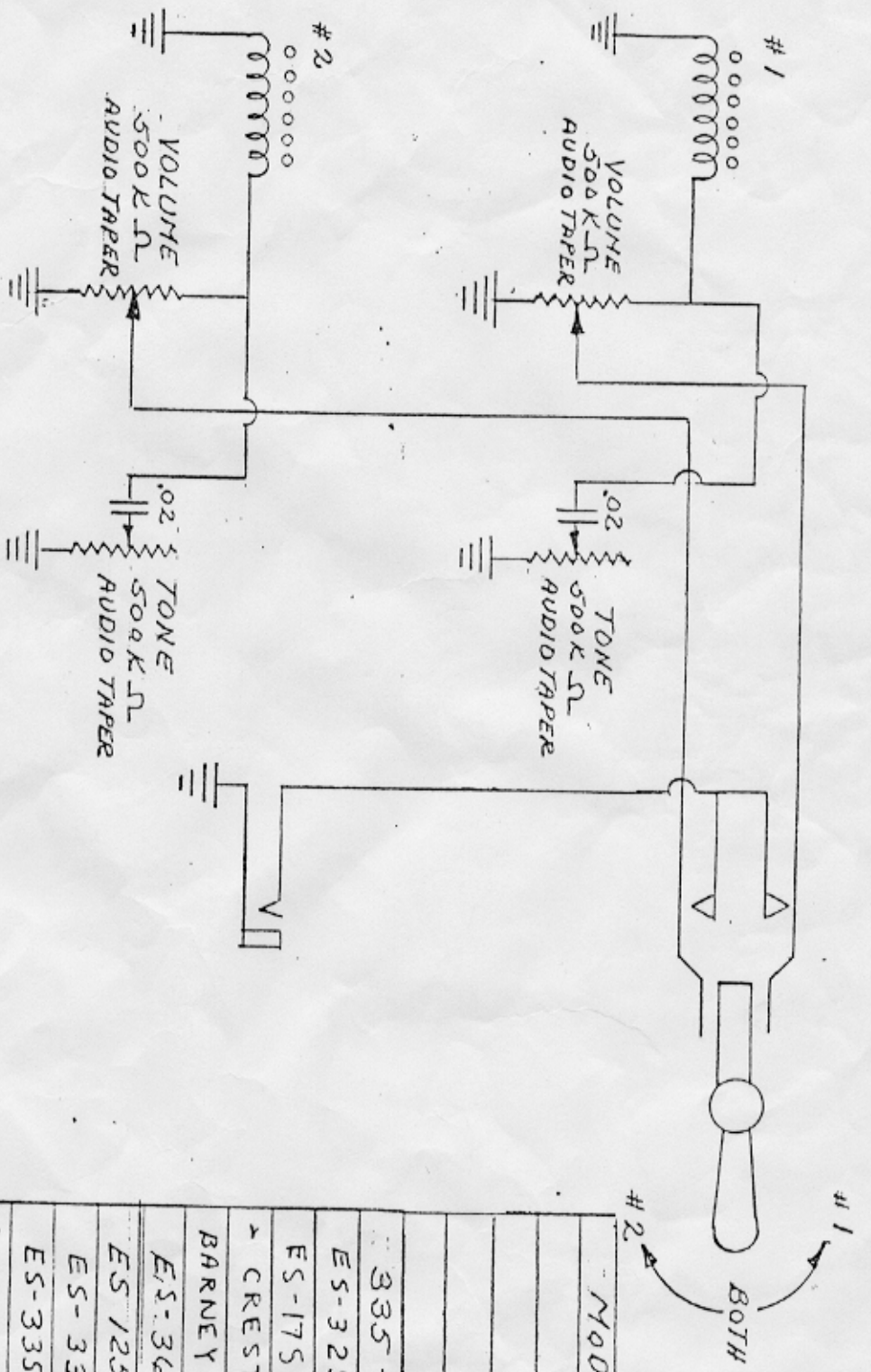


THIN LINE



NOTE:

MODELS AFTER 7-1-73 USE
300KA CONTROLS, GIBSON
PART # 70-028

| |
|---------------|
| MODELS |
| 335-PRO. 9579 |
| ES-325TD |
| ES-175T |
| CREST |
| BARNET KESSEL |
| ES-360 |
| ES-125D |
| ES-330TD |
| ES-335TD-12 |
| ES-335TD |
| BYRDLAND |
| ES-125TD |
| ES-355TD |
| ES-350TD |

| | | | | |
|--------|-----|------|--------------------|---|
| LETTER | WAS | DATE | SCALE | GIBSON, INC. KALAMAZOO, MICH. ORIGINAL DATE JULY-1965 REPAIR DATE 11-26-74 |
| | | | NO. REQ. | |
| | | | HEAT TREAT. | |
| | | | FINISH | |
| | | | REDRAWN DISCHECKED | |

| | |
|-----------|----------------------|
| PART NAME | SCHEMATIC - CONTROLS |
| KIND | |
| AMOUNT | |
| MATERIAL | |