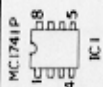
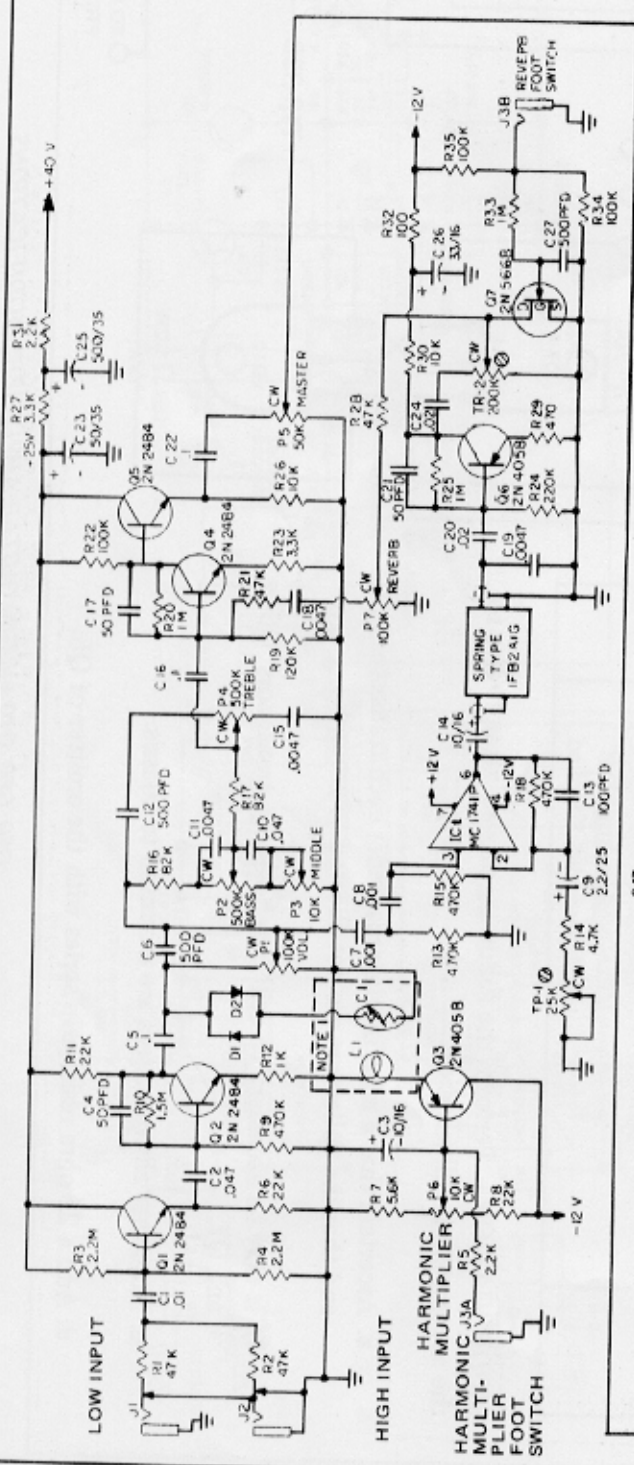
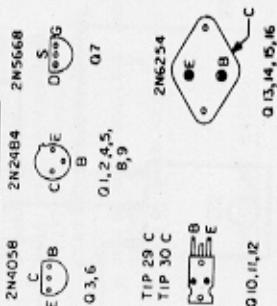


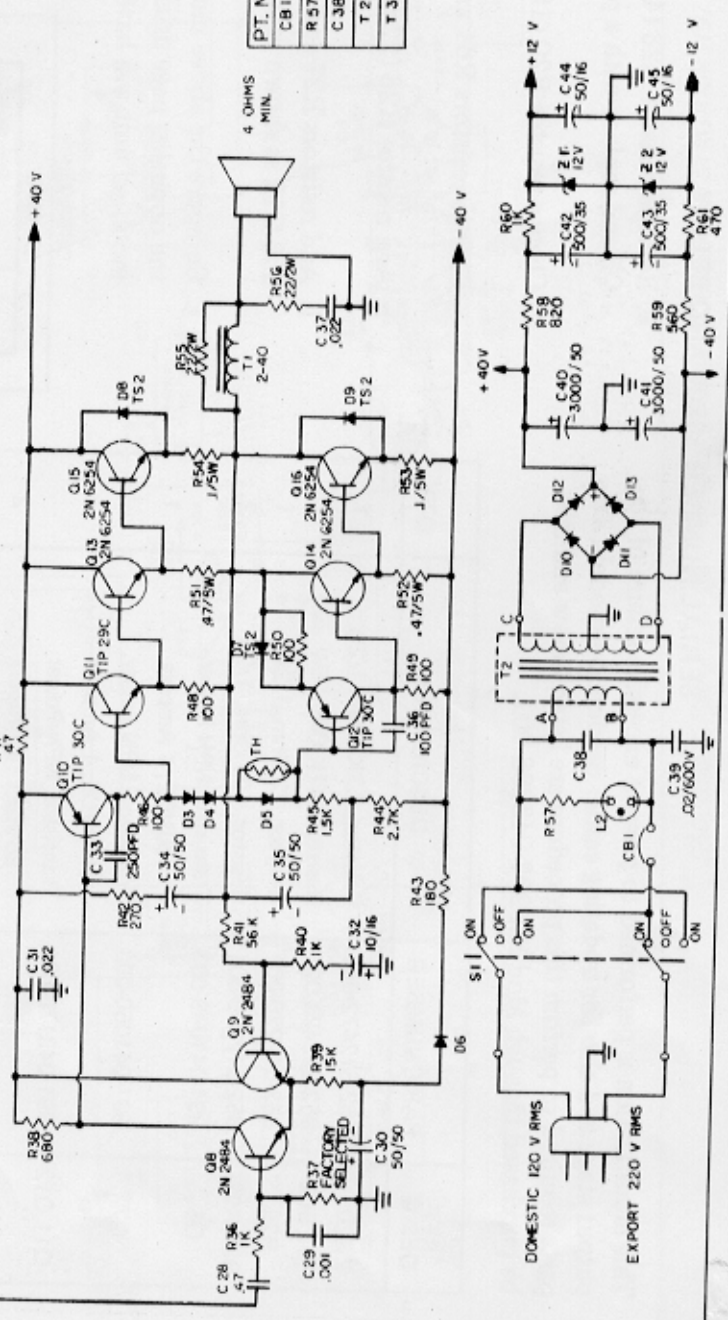
TOP VIEW



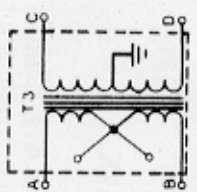
BOTTOM VIEWS



POWER SECTION



PT. NO.	DOMESTIC	EXPORT
C.B1	2.5 AMP HOLD-A-37 AMP OPEN	1/16 AMP HOLD, 2.5 AMP OPEN
R.57	100K OHMS	220K OHMS
C.38	.22/150 V AC	.22/600 V DC
T.2	2-24A	
T.3		2-44



G100A GUITAR AMP FIER SCHEMATIC DIAGRAM