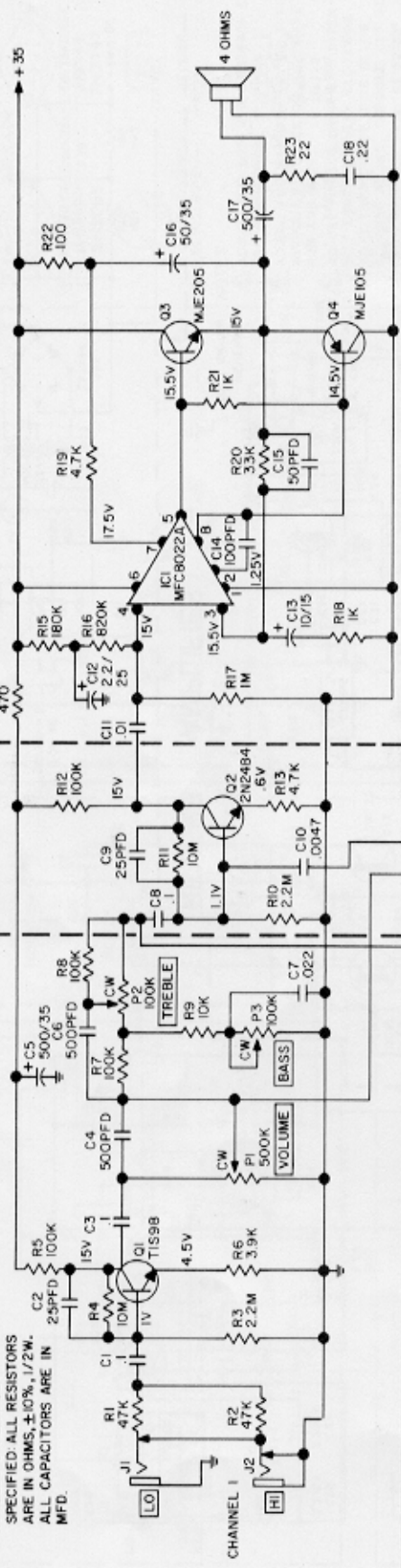


NOTES:
 1. UNLESS OTHERWISE SPECIFIED, ALL RESISTORS ARE IN OHMS, ±10%, 1/2W. ALL CAPACITORS ARE IN MFD.

PRE-AMP

MIXER

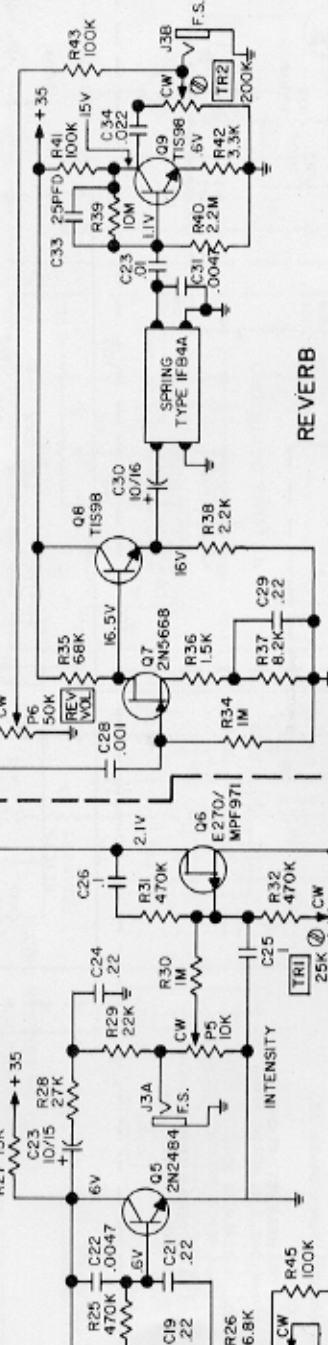
OUTPUT SECTION



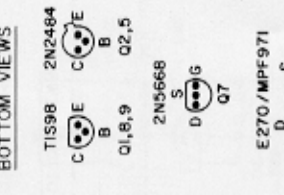
TREMOLO

INTENSITY

REVERB

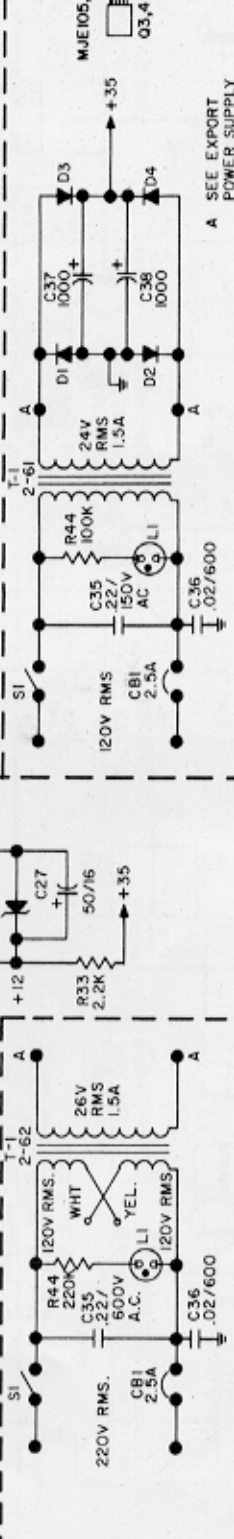


COMPONENT BASING



EXPORT POWER SUPPLY

POWER SUPPLY



A SEE EXPORT POWER SUPPLY

G35 (REV A) GUITAR AMPLIFIER SCHEMATIC DIAGRAM