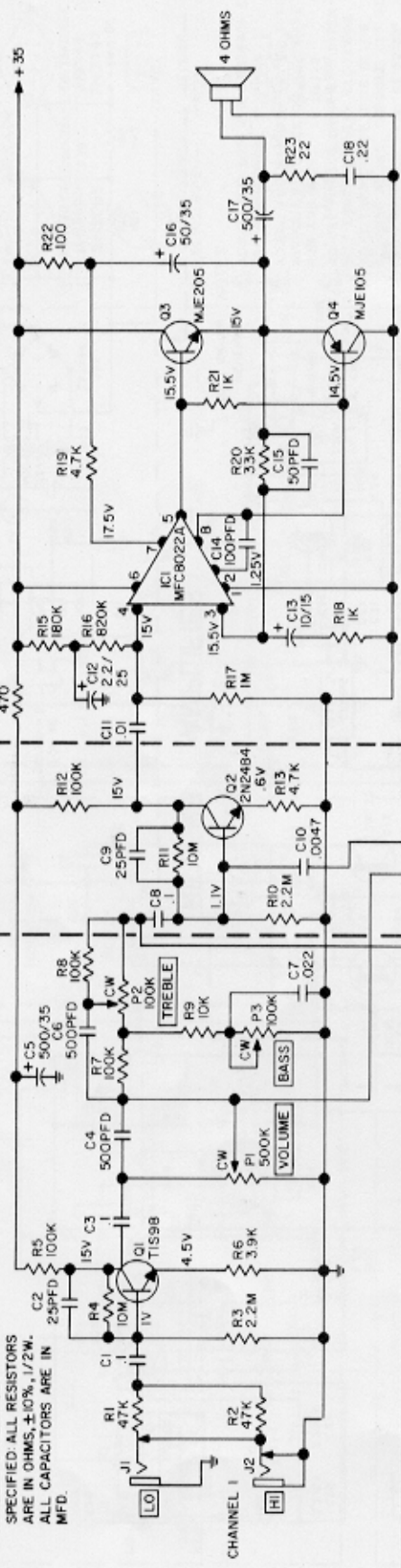


NOTES:  
 1. UNLESS OTHERWISE SPECIFIED, ALL RESISTORS ARE IN OHMS, ±10%, 1/2W. ALL CAPACITORS ARE IN MFD.

PRE - AMP

MIXER

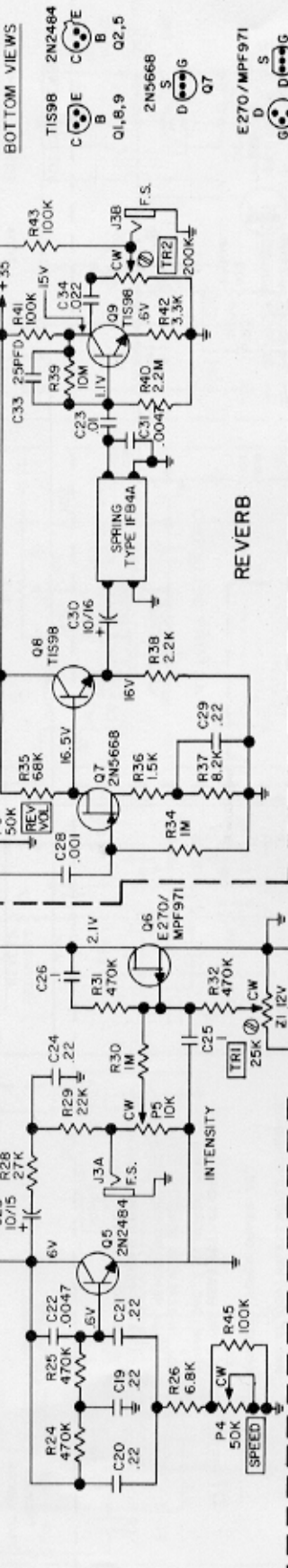
OUTPUT SECTION



TREMOLO

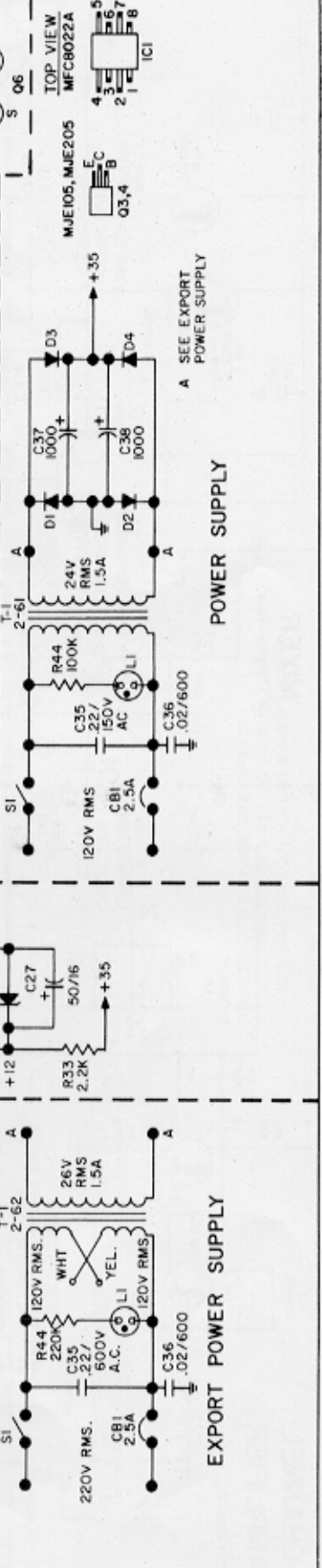
REVERB

COMPONENT BASING



EXPORT POWER SUPPLY

POWER SUPPLY



A SEE EXPORT POWER SUPPLY

G35 (REV A) GUITAR AMPLIFIER SCHEMATIC DIAGRAM

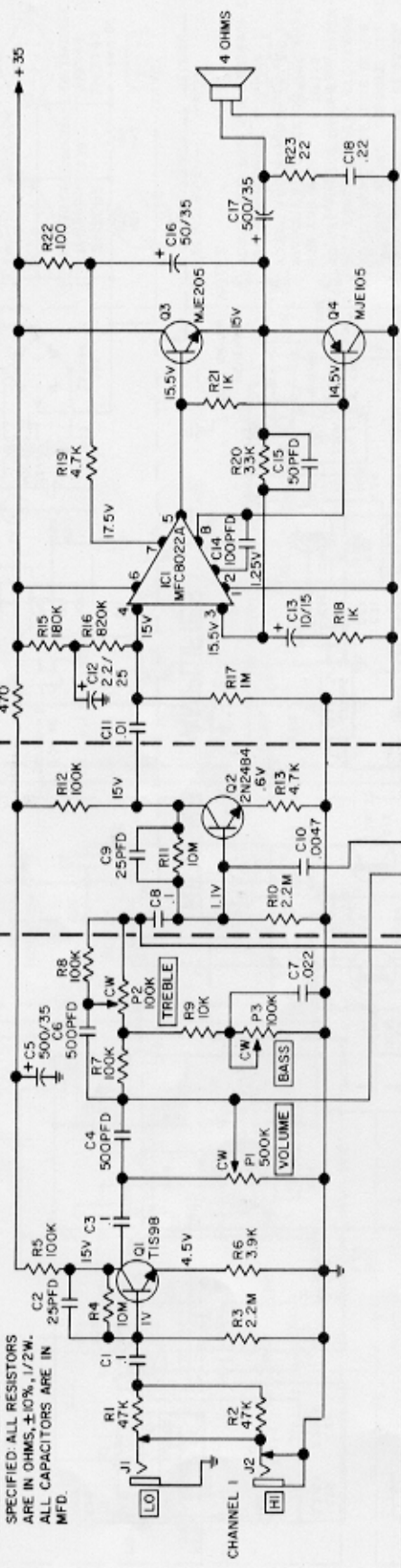
- COMPONENT BASING  
 BOTTOM VIEWS
- TIS98 2N2484  
 C C E C  
 B B
  - Q1, 8, 9 Q2, 5  
 S S  
 D D G G  
 Q7
  - E270/MPF971  
 D S  
 G D G G  
 S Q6
  - TOP VIEW  
 MFC8022A  
 E C  
 B B  
 4 3 2 1  
 I C I
  - MJE105, MJE205  
 E C  
 B B  
 3 2 1  
 03, 4

NOTES:  
 1. UNLESS OTHERWISE SPECIFIED, ALL RESISTORS ARE IN OHMS, ±10%, 1/2W. ALL CAPACITORS ARE IN MFD.

PRE - AMP

MIXER

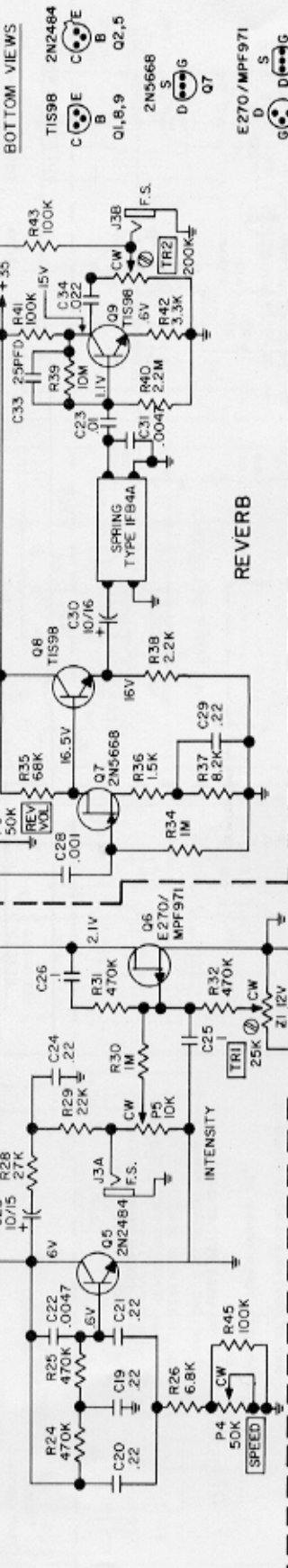
OUTPUT SECTION



TREMOLO

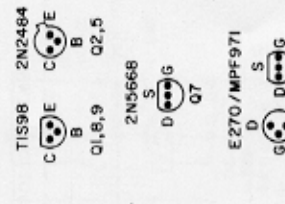
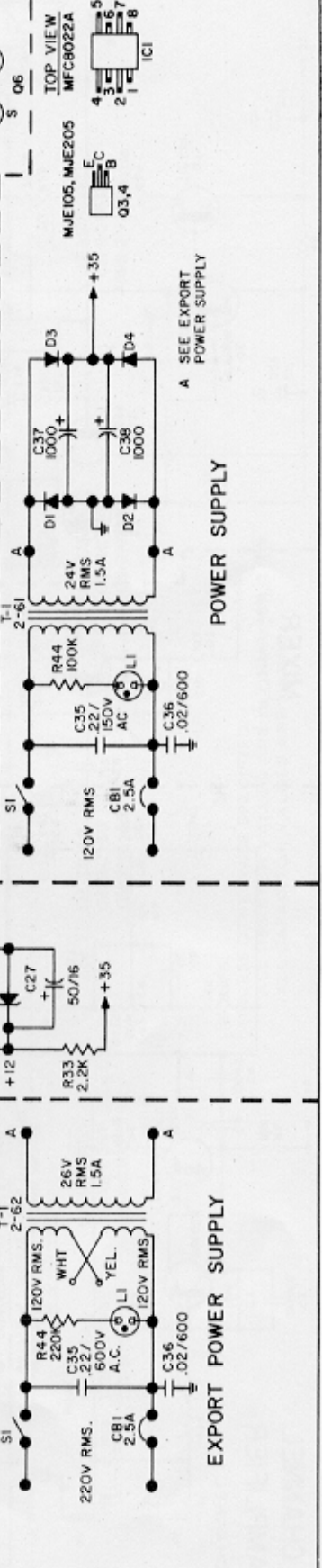
REVERB

COMPONENT BASING



EXPORT POWER SUPPLY

POWER SUPPLY



A SEE EXPORT POWER SUPPLY

EXPORT POWER SUPPLY

POWER SUPPLY

PRE-AMP

MIXER

OUTPUT SECTION

TREMOLO

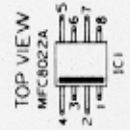
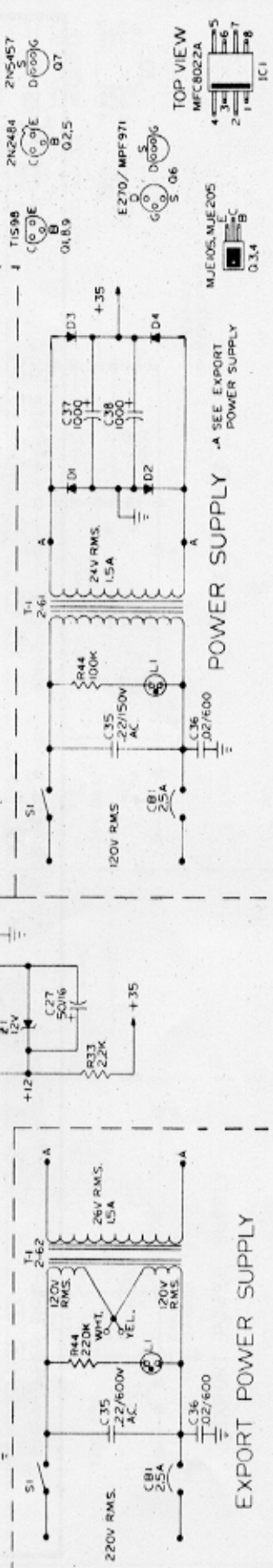
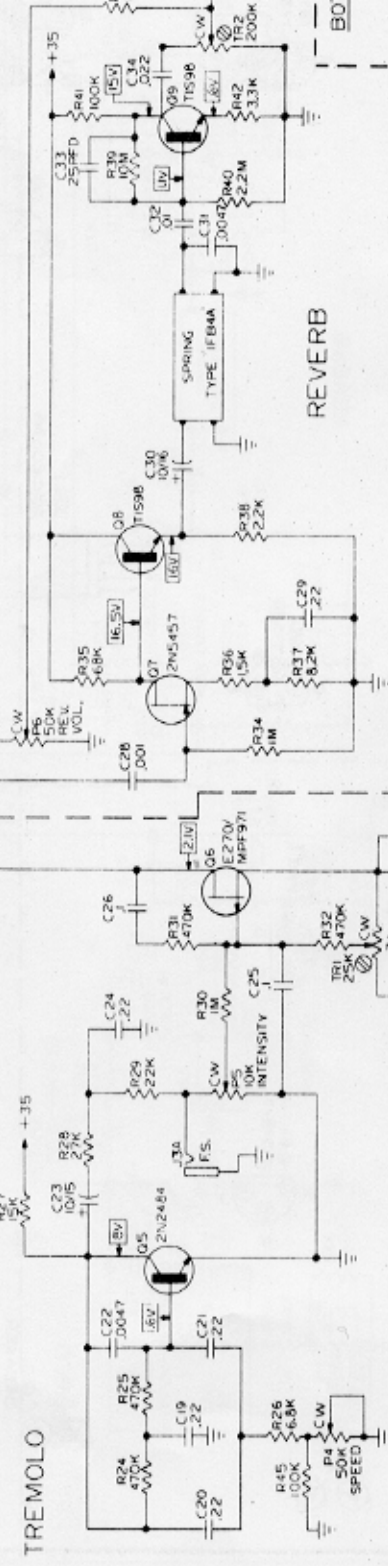
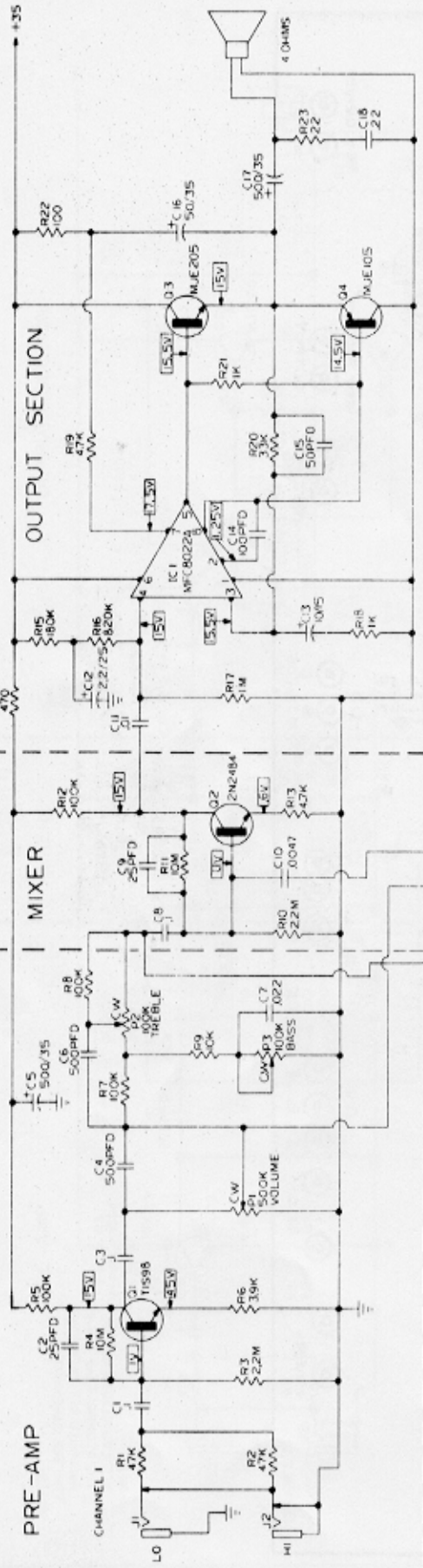
REVERB

BOTTOM VIEWS

EXPORT POWER SUPPLY

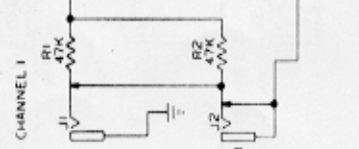
POWER SUPPLY

TOP VIEW

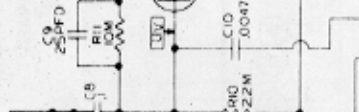


G35 (REV B) GUITAR AMPLIFIER SCHEMATIC DIAGRAM

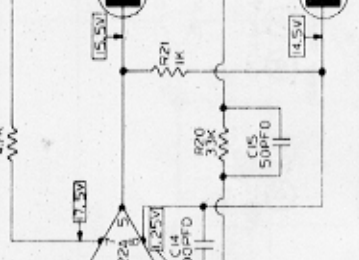
PRE-AMP



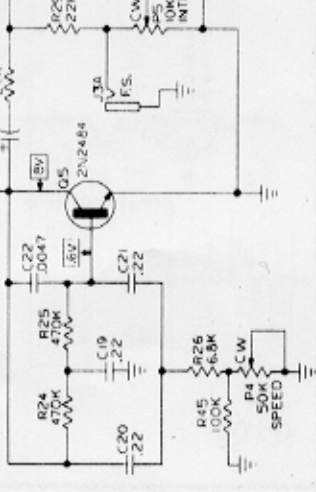
MIXER



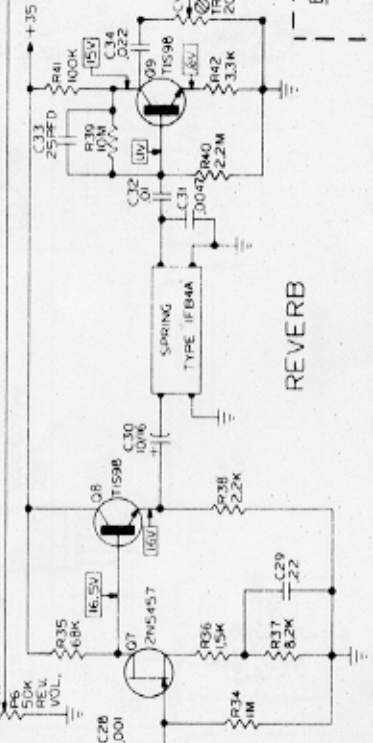
OUTPUT SECTION



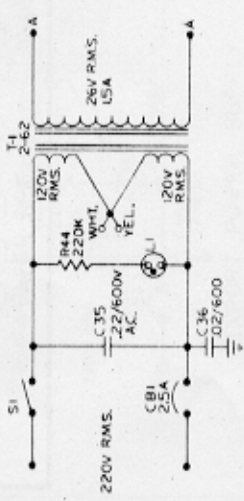
TREMOLO



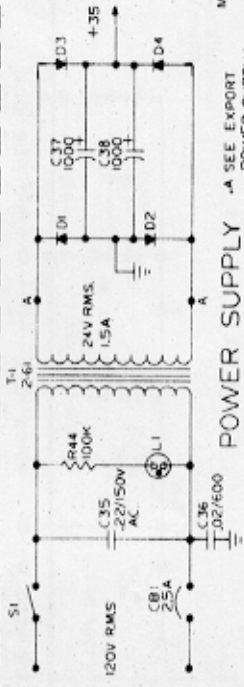
REVERB



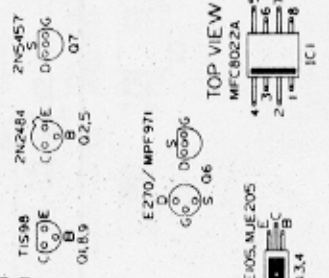
EXPORT POWER SUPPLY



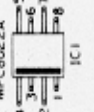
POWER SUPPLY



BOTTOM VIEWS



TOP VIEW



G35 (REV B) GUITAR AMPLIFIER SCHEMATIC DIAGRAM