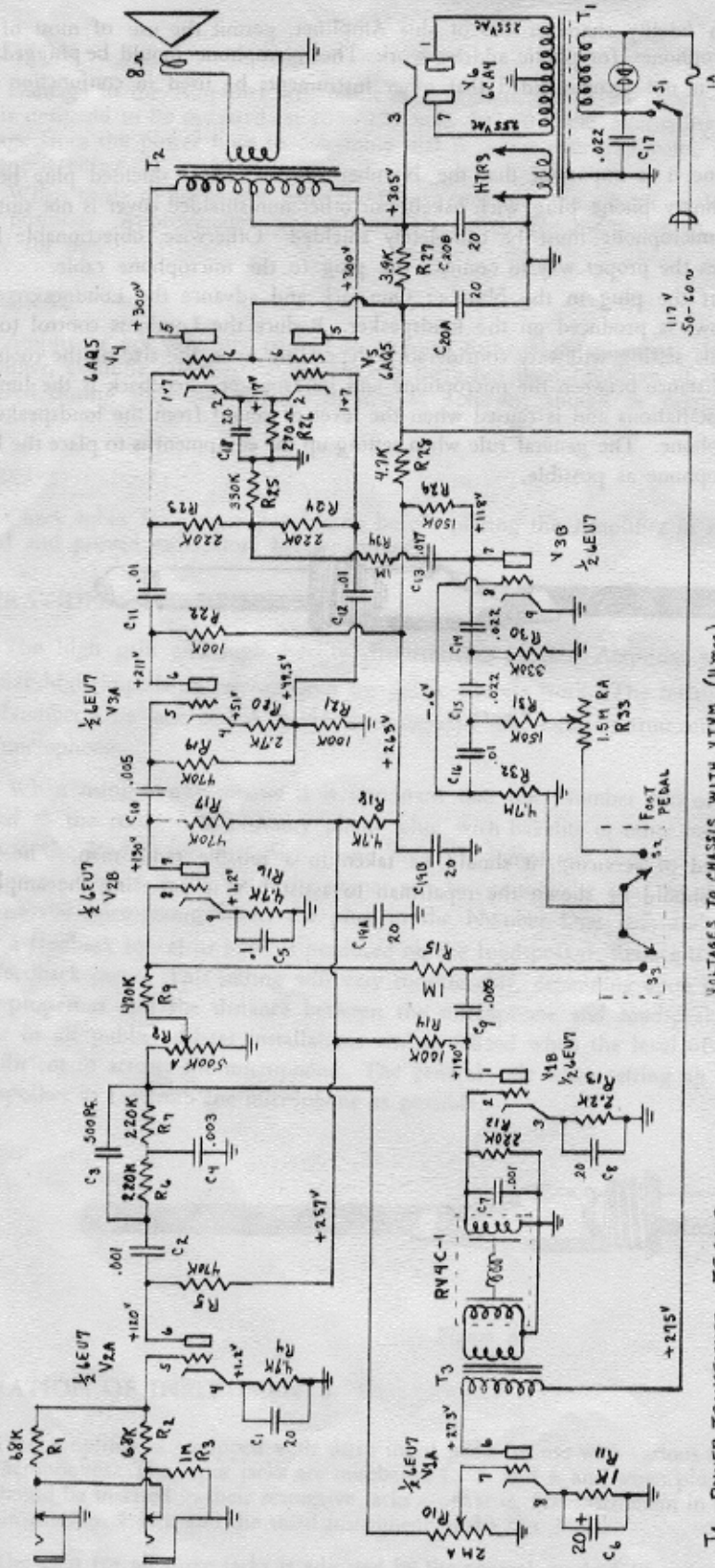
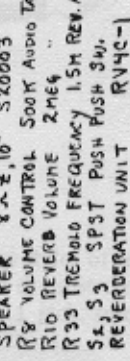
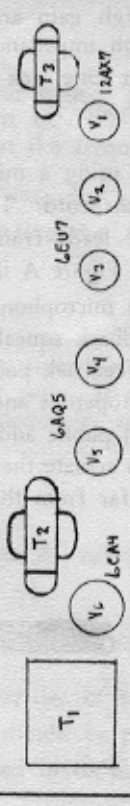
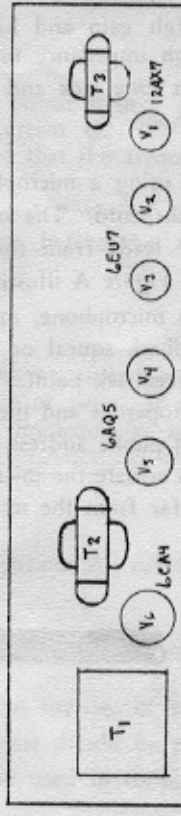


# GA17RV1 SCOUT

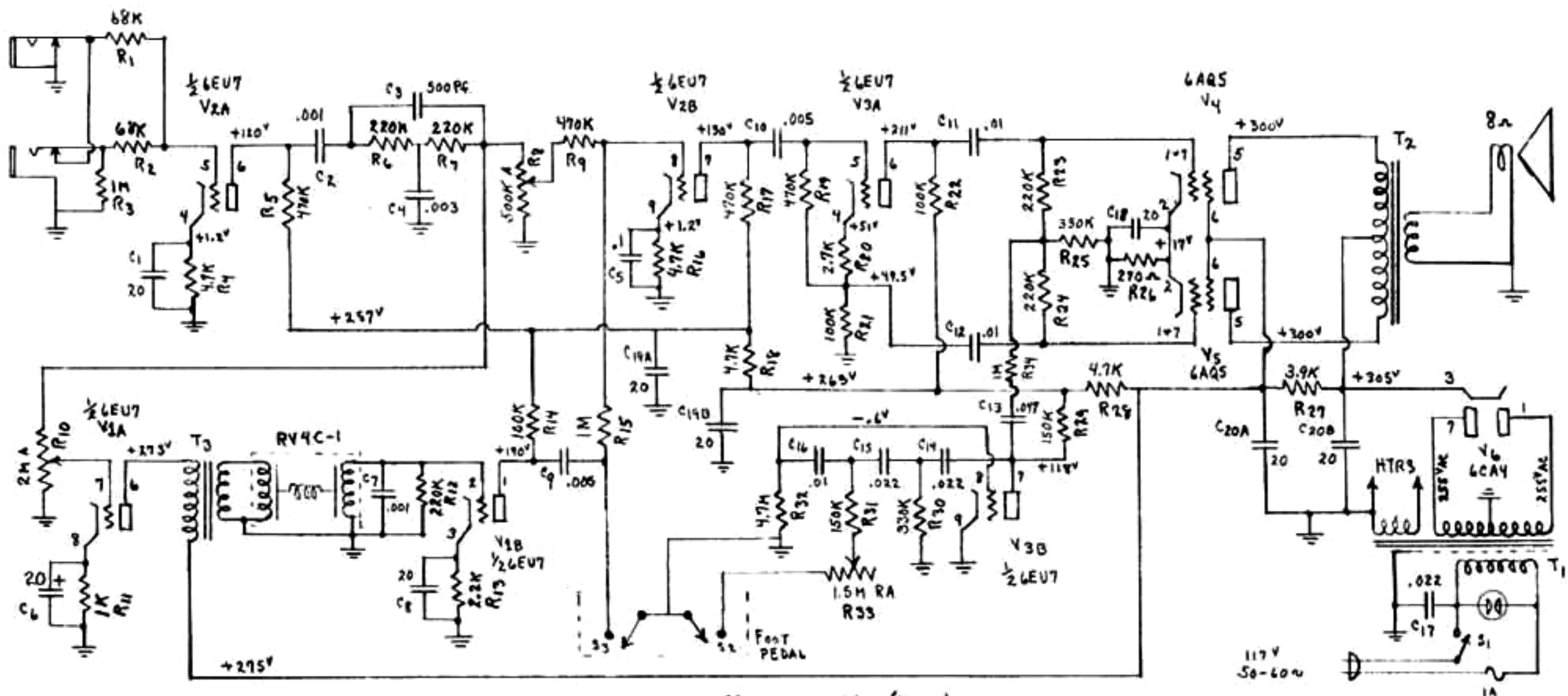


VOLTAGES TO CHASSIS WITH VTVM (117meg)

- T1 POWER TRANSFORMER TF 8A-P
- T2 OUTPUT TF 18-01
- T3 DRIVER TF EL400
- REVERB UNIT RV4C-1
- REVERBERATION UNIT RV4C-1
- R8 SPEAKER 8"-2, 10" S20003
- R9 VOLUME CONTROL 500K Audio Taper
- R10 REVERB VOLUME 2MEG "
- R33 TREMOLO FREQUENCY 1.5M REV. Audio
- S2, S3 SPST PUSH PUSH 3/4"



# GAI7RVT SCOUT



VOLTAGES TO CHASSIS WITH VTVM (11meg)

- T1 POWER TRANSFORMER TF 8A-P
- T2 OUTPUT " TF 18-01
- T3 DRIVER " TF E6400
- SPEAKER 8" ± 10" S20003
- R8 VOLUME CONTROL 500K AUDIO TAPER
- R10 REVERB VOLUME 2MEG " "
- R33 TREMOLO FREQUENCY 1.5M REV. AUDIO
- S2, S3 SPST PUSH PUSH SW.
- REVERBERATION UNIT RV4C-1

