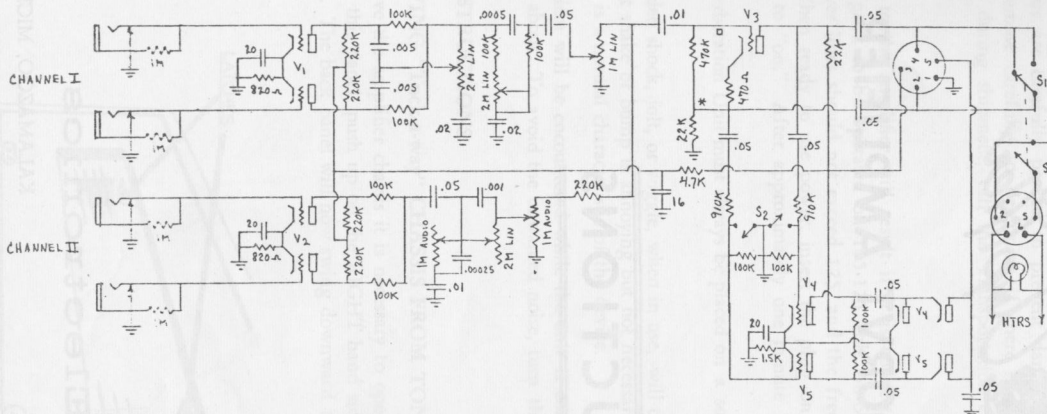
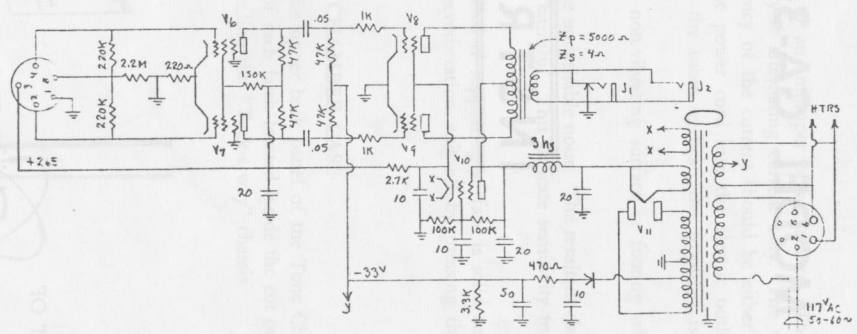
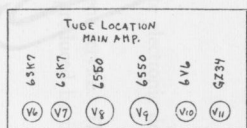
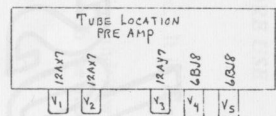


GA-200



Tube Type use	E _p	E _{SG}	E _G	E _K
V1 12AV7 CHAN I PREAMP	+135	—	0	+1.15
V2 " " II " "	+120	—	0	+1.1
V3 12AY7 PHASE SPLITTER	+210	—	+6E5	+6.4
V4 6BJ8 Comp Amp + Rect	+110	—	0	+4.9
V5 " " " "	+110	—	0	+4.9
V6 6SK7 DRIVER + COMP.	+145	+42	-1	+1.5
V7 " " " "	+145	+42	-1	+1.5
V9 6BSO PWR AMP	+570	+300	-33	0
V8 " " " "	+570	+300	-33	0
V10 6V6 VOLTAGE REG	+570	+570	42E5	+300
V11 CZ34 RECTIFIER	370	—	—	+580
	RMS			

ALL DC READINGS WITH 11 HEG VTVM MEASURED TO CHASSIS



MODEL 10

Gibson GA 200

Tube Type	USE	E_p	E_{c5}	E_6	E_k
V1	12AY7 COMB I PREAMP	+175	-	0	+115
V2	" " " " "	+175	-	0	+115
V3	6AV6 PULSE SPLITTER	+250	-	0	+115
V4	6BJ7 Comp Amp	+110	-	0	+115
V5	" " " " "	+110	-	0	+115
V6	6SK7 DRIVER	+145	+42	-1	+115
V7	" " " " "	+145	+42	-1	+115
V8	6SS0 PWR AMP	+370	+300	-35	0
V9	" " " " "	+370	+300	-35	0
V10	6VL6 VOLTAGE REG	+570	+570	+25	+300
V11	6Z34 RECTIFIER	170 RMS	-	-	+300

ALL DC READINGS WITH H PEG VTM MEASURED TO GROUND

