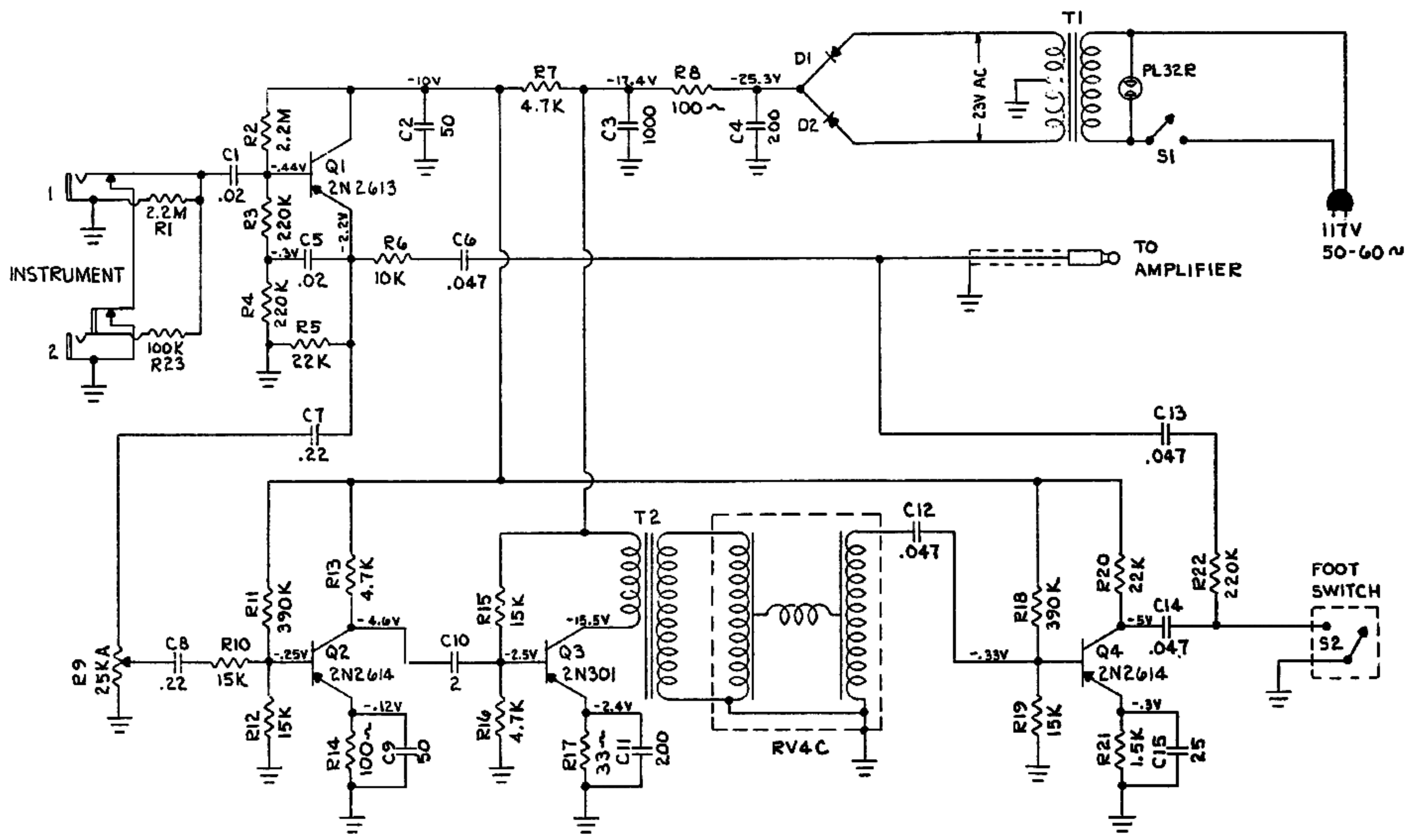
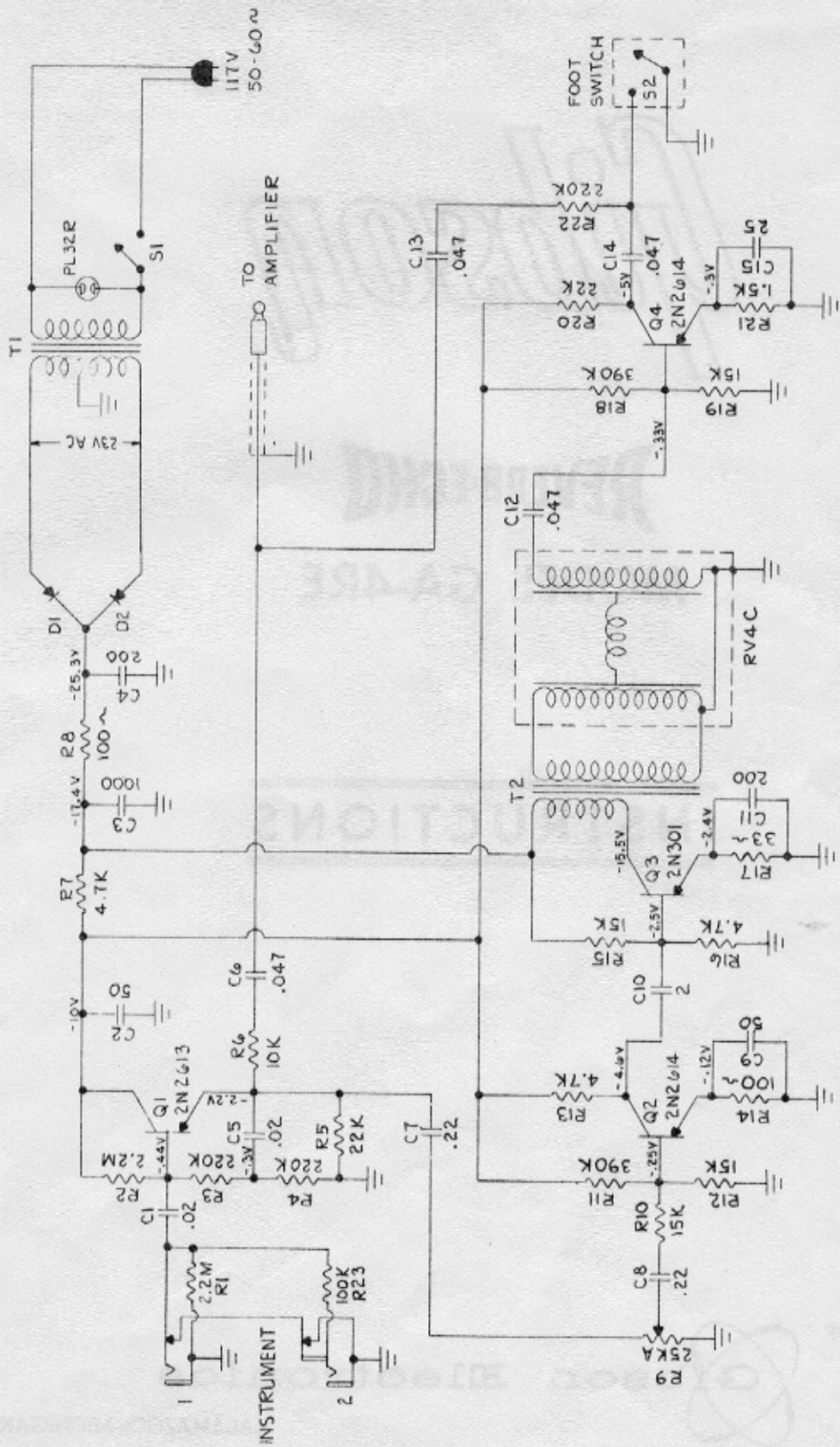


# GA-3RV



- |        |                            |              |
|--------|----------------------------|--------------|
| T1     | Power Transformer          | TF-101P      |
| T2     | Reverb. Transformer        | TF-1000B     |
| D1, D2 | Diodes, 200 PIV, 150 mA    | DI-69A       |
| R9     | 25K, Audio taper $\pm$ 30% | CBA-611-3712 |
| S1     | Switch, SPST Rotary        | SN-898-1     |

# GA-3RV



- T1 Power Transformer TF-101P
- T2 Reverb. Transformer TF-1000R
- D1, D2 Diodes, 200 FIV, 150 Ma DI-69A
- R9 25K, Audio taper  $\pm$  30% CBA-811-372.2
- S1 Switch, SPST Rotary SK-898-1