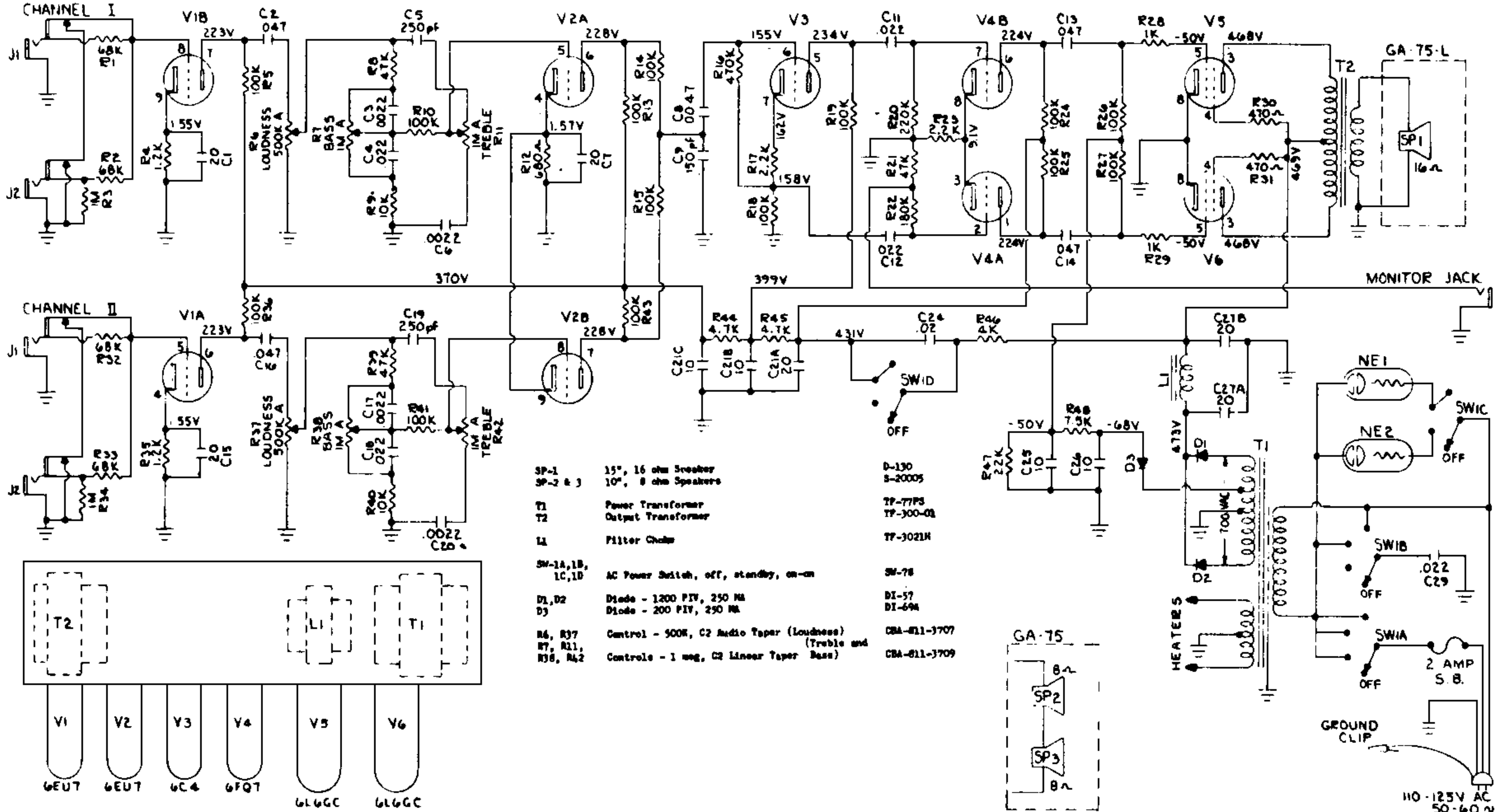
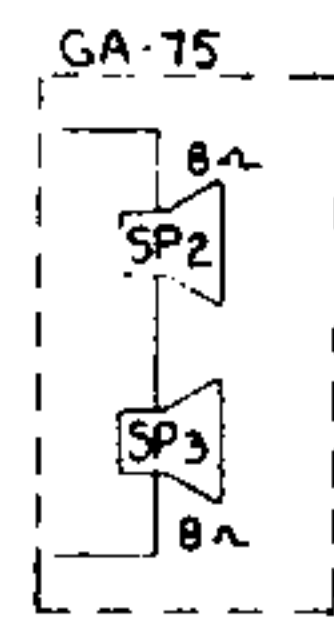
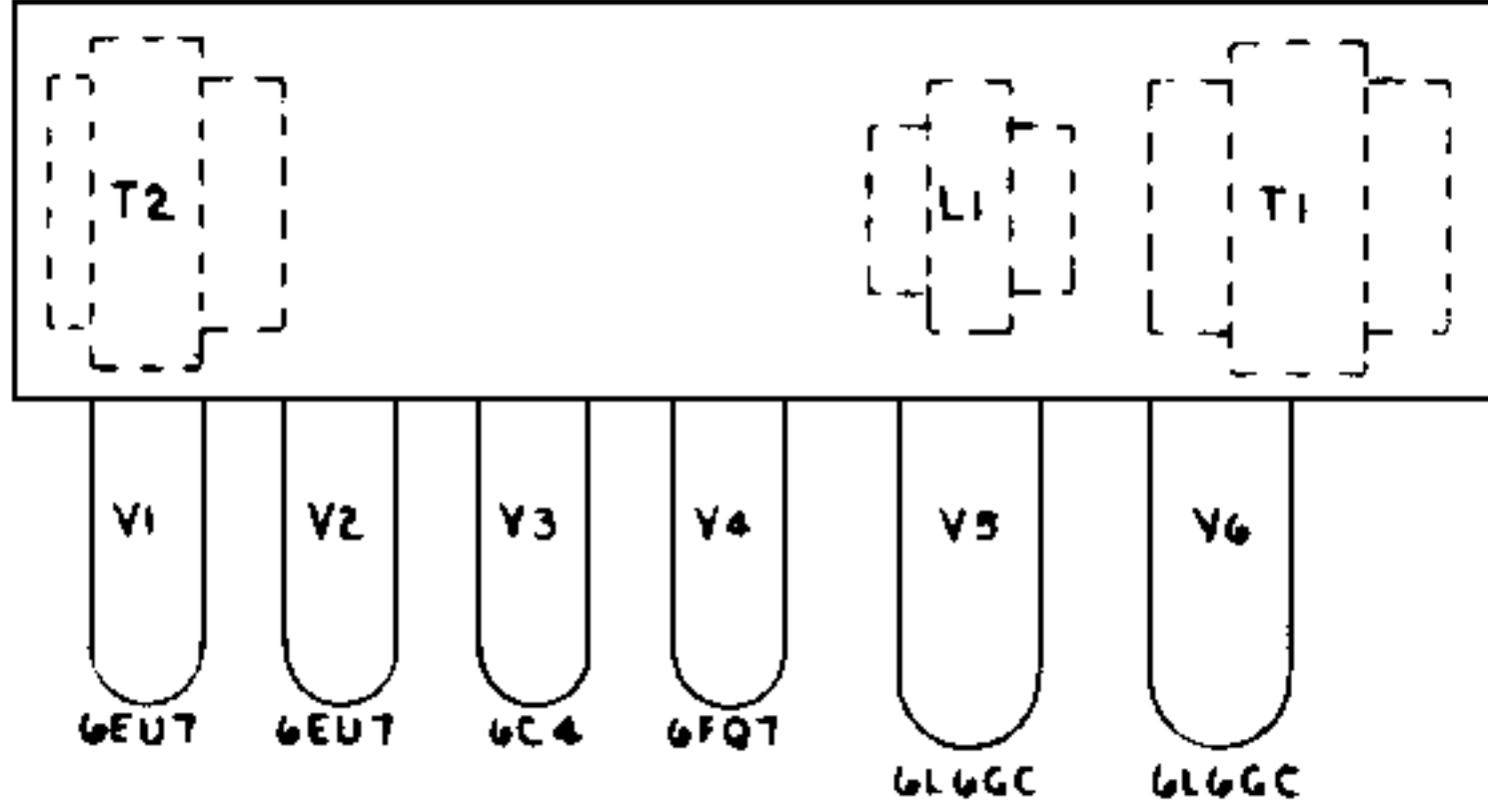


Gibson GA-75

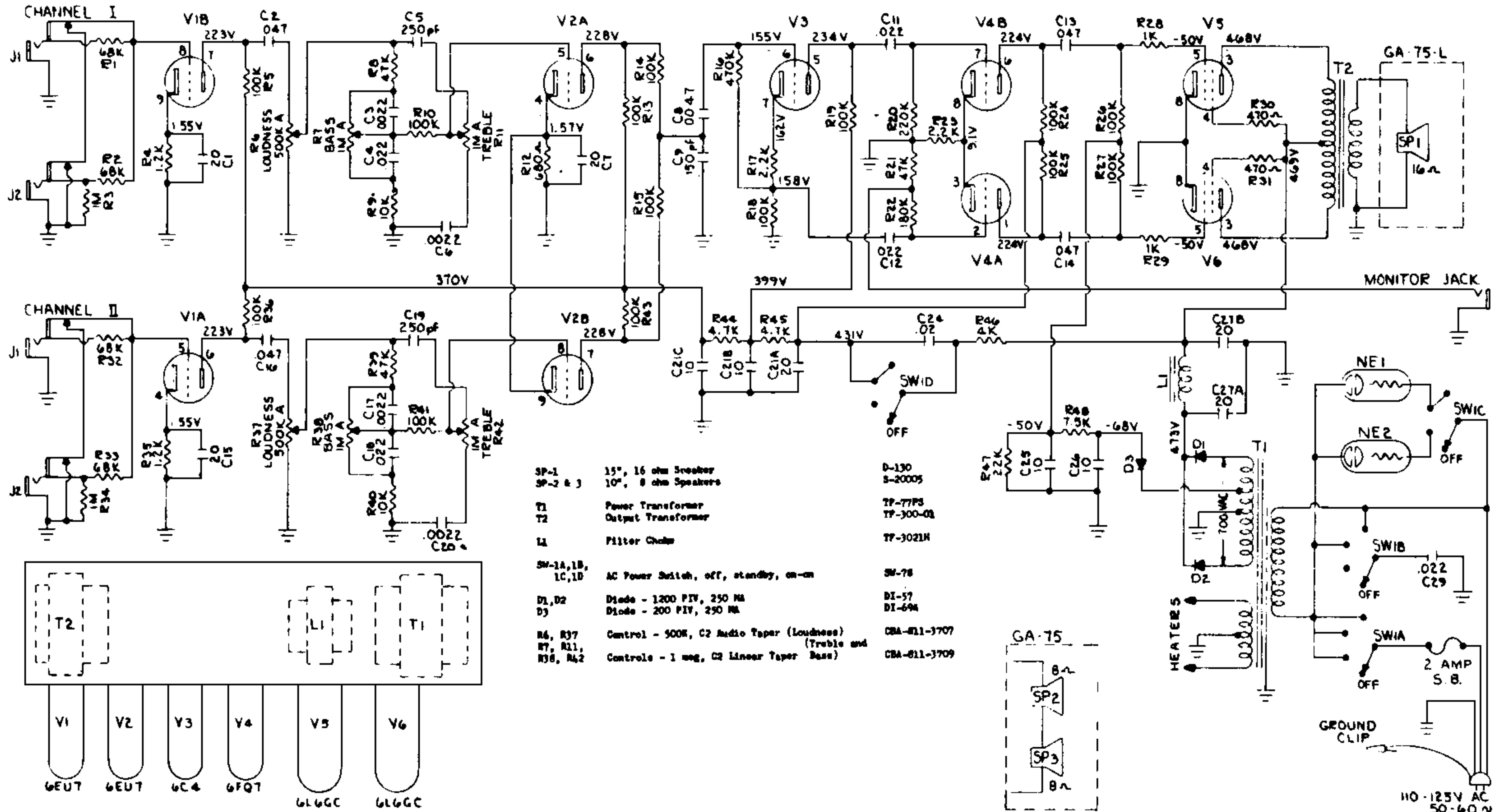


- | | | | |
|-------------------|---|--------------|-----------|
| SP-1 | 15", 16 ohm Speaker | D-130 | 5-20005 |
| SP-2 & 3 | 10", 8 ohm Speakers | TP-77FS | TP-300-08 |
| T1 | Power Transformer | TP-3021H | |
| T2 | Output Transformer | | |
| L1 | Filter Choke | | |
| SW-1A, 1B, 1C, 1D | AC Power Switch, off, standby, on-on | SW-78 | |
| D1, D2 | Diode - 1200 PIV, 250 MA | DI-57 | |
| D3 | Diode - 200 PIV, 250 MA | DI-69A | |
| R6, R37 | Control - 500K, C2 Audio Taper (Loudness) | CBA-811-3707 | |
| R7, R11, R38, R42 | Controls - 1 meg, C2 Linear Taper Bass) | CBA-811-3709 | |



110-125V AC 50-60 Hz

Gibson GA-75



110-125V AC
50-60 Hz