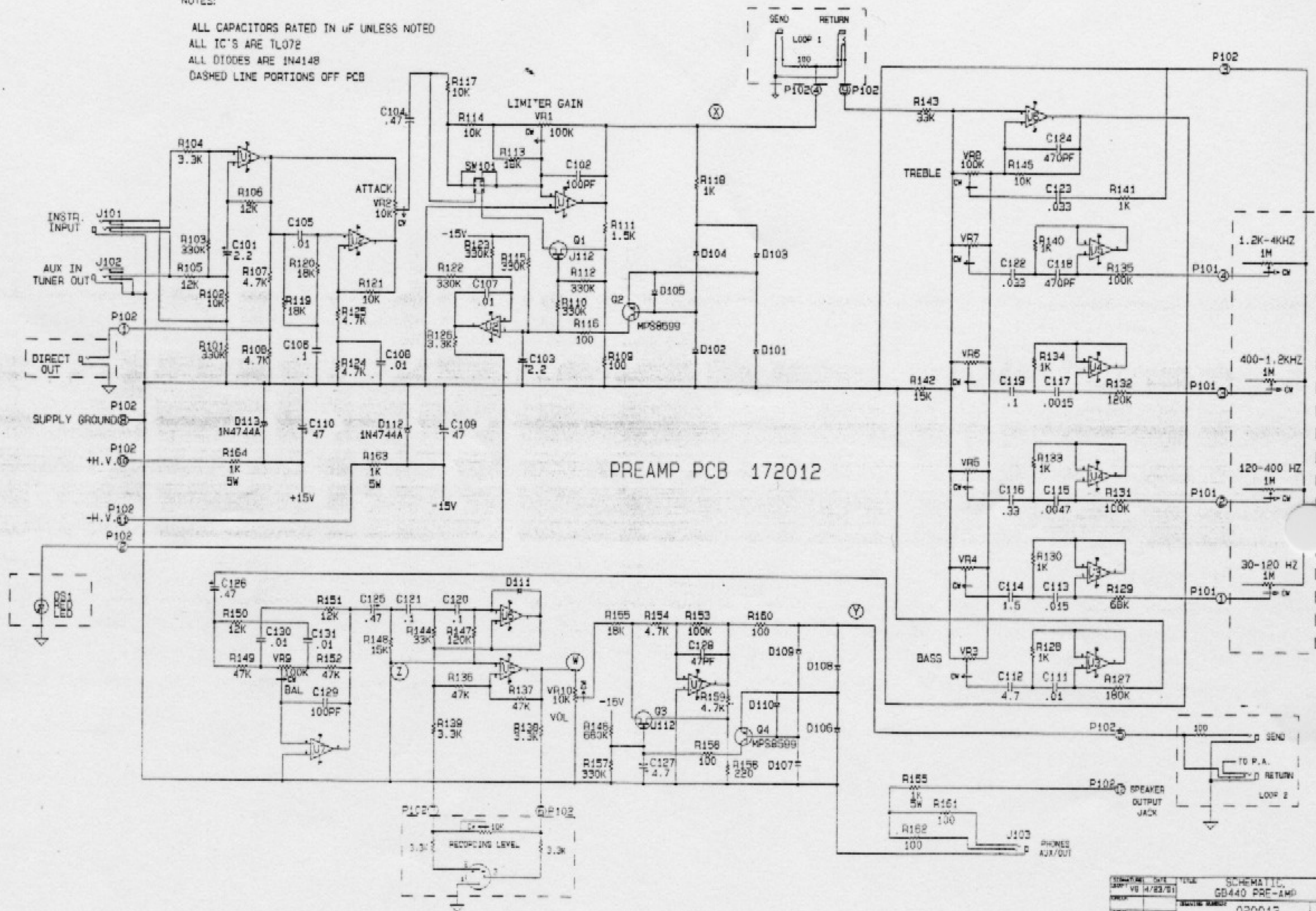


NOTES:

ALL CAPACITORS RATED IN μ F UNLESS NOTED
 ALL IC'S ARE TL072
 ALL DIODES ARE 1N4148
 DASHED LINE PORTIONS OFF PCB



PREAMP PCB 172012

SYMBOL	DATE	TITLE
DRYPT	VB 4/23/81	SCHEMATIC, GB440 PRE-AMP
ENGR		020013
DRW		NONE