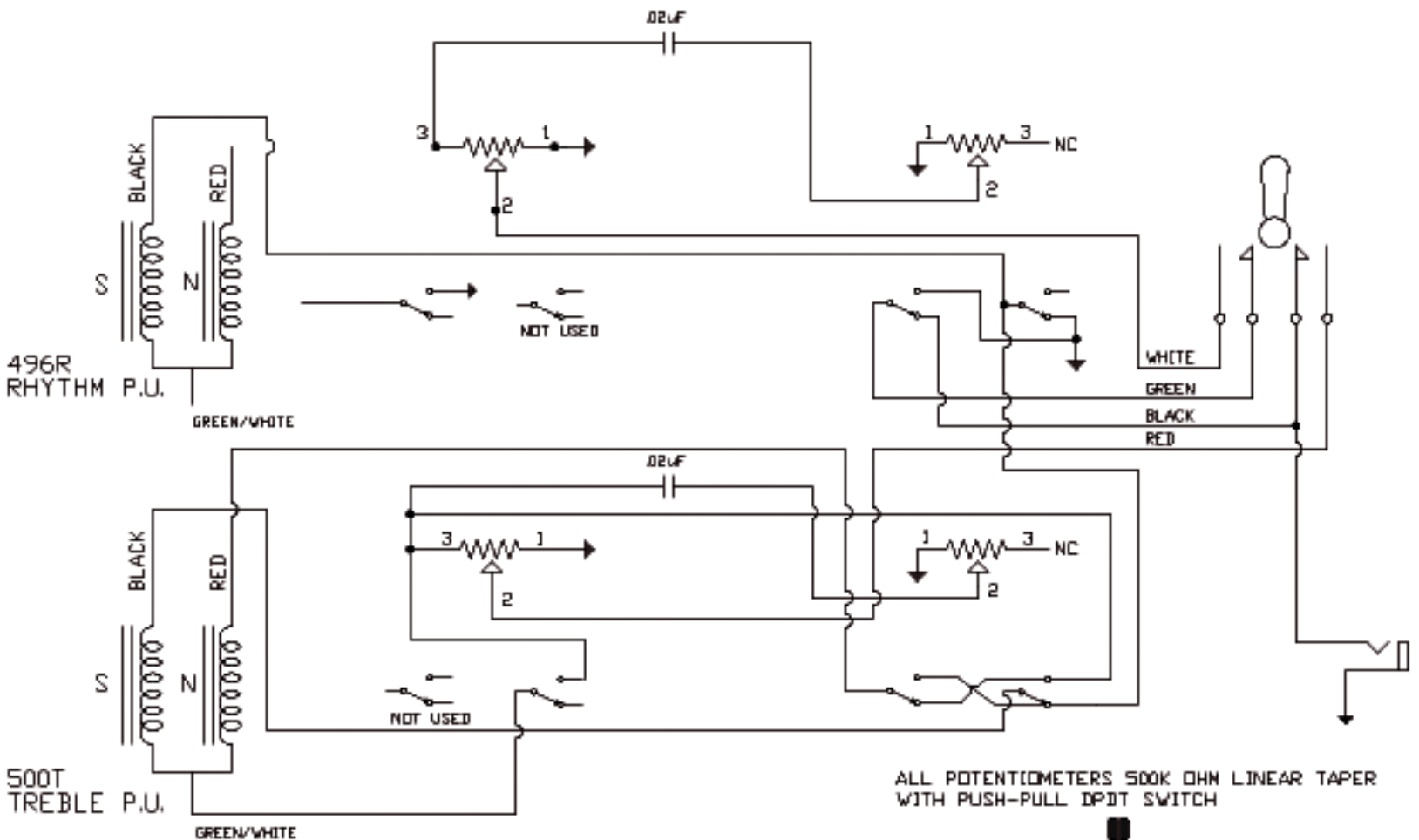


LTR	REVISION	ECN NO.	DATE	GIBSON GUITAR CORP. 641 MASSMAN DRIVE NASHVILLE, TN 37210 (615) 391-1580	PART: JIMMY PAGE WIRING DIAGRAM	SCALE: NTS	DATE: 5/7/97	MAT'L: NA
						DRAWN: R. AKERS	CHK:	PART NO.: PAGE



Note: Tailpiece to be connected to common ground.  
NC = NOT CONNECTED

NOTE:  
THIS DRAWING AND ALL OF THE INFORMATION HEREON  
ARE THE CONFIDENTIAL PROPERTY OF GIBSON, INC. AND  
MAY NOT BE REPRODUCED OR USED FOR ANY PURPOSE  
EXCEPT AS EXPRESSLY AUTHORIZED IN WRITING BY GIBSON, INC.



DESCRIPTION		GIBSON GUITAR CORP.	
JIMMY PAGE SCHEMATIC		641 MASSMAN DR. NASHVILLE, TN 37210 (615) 391-1580	
SCALE:	DATE: 2/26/95	MATERIAL	PART NO.
DRAWN BY: R. AKERS	CHECKED BY:		