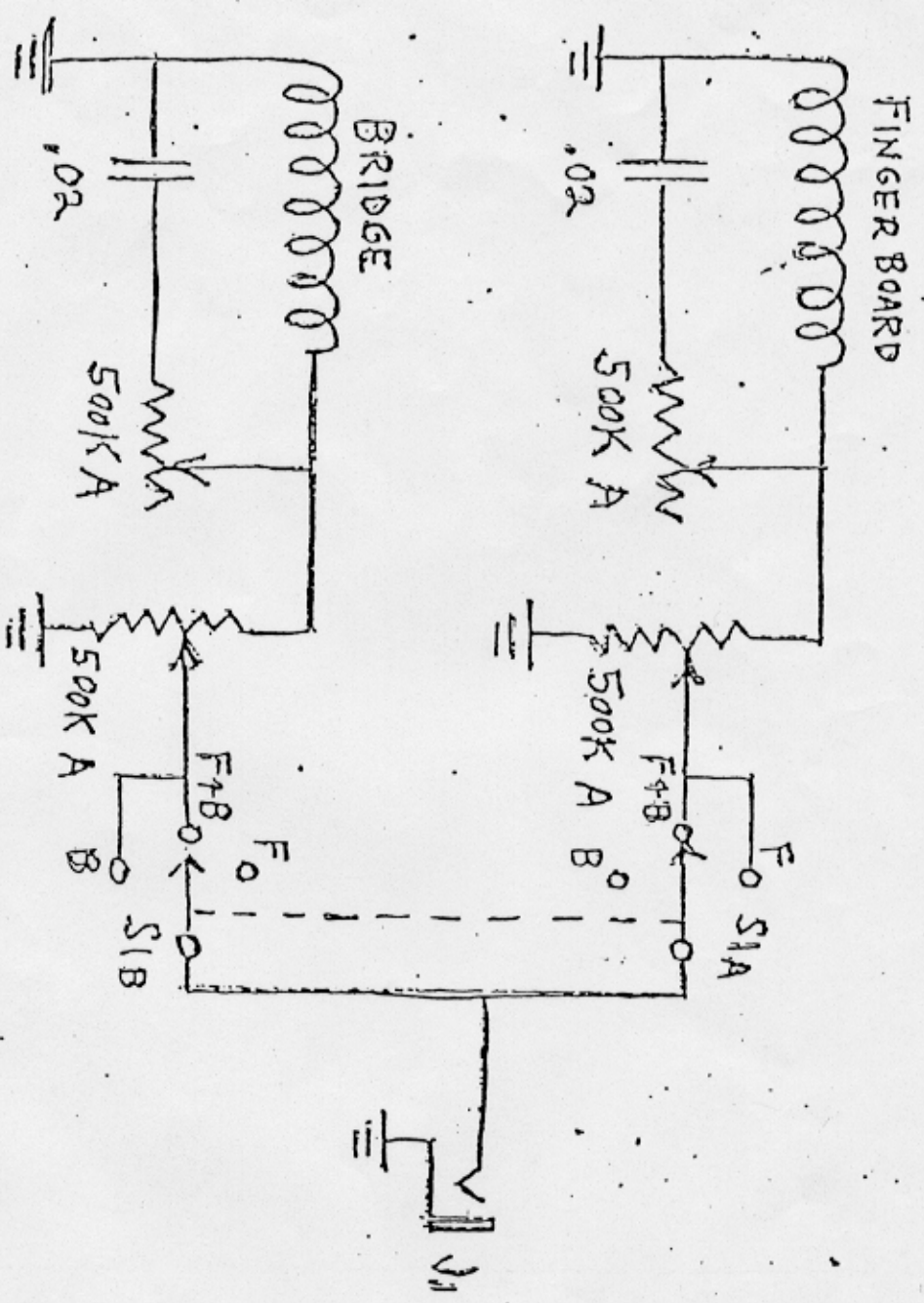


CPA 122



GIBSON INC

JOHNNY SMITH DOUBLE

PICKUP SCHEMATIC

DATE: 16 Nov 1965