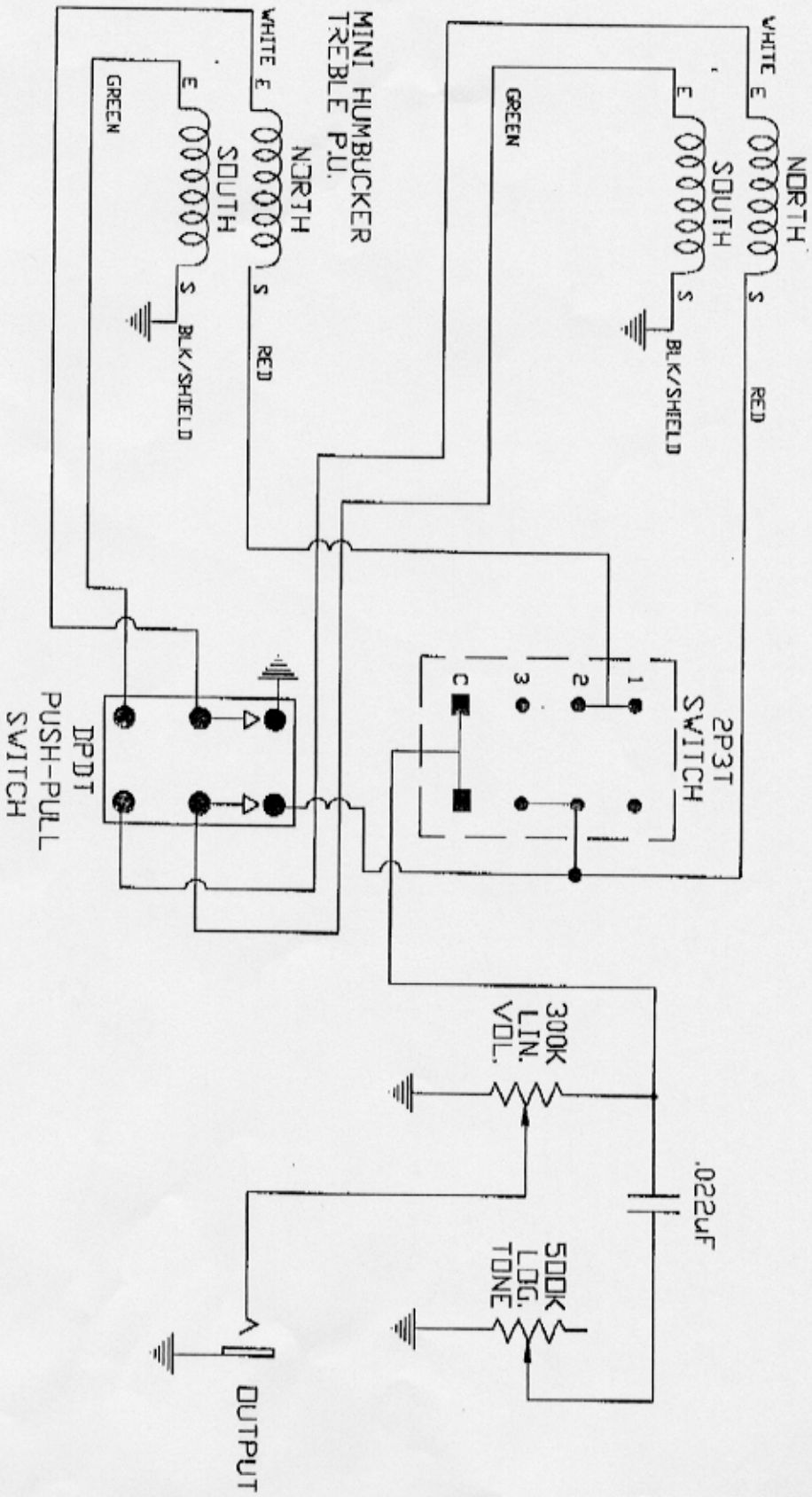


MINI HUMBUCKER
RHYTHM P.U.



NOTE:
E=END OF COIL
S=START OF COIL
NOTE: Tailpiece to be connected to common ground.

NOTE:
THIS DRAWING AND ALL OF THE INFORMATION HEREON
ARE THE CONFIDENTIAL PROPERTY OF GIBSON, INC. AND
MAY NOT BE REPRODUCED OR USED FOR ANY PURPOSE
EXCEPT AS EXPRESSLY AUTHORIZED IN WRITING BY GIBSON, INC.

LTR	REVISION	PCA NO.	DATE	PART:	SCALE:	DATE:	MATL:
				GIBSON GUITAR CORP. 641 MASSMAN DRIVE NASHVILLE, TN 37210 (615) 391-1580		7/22/96	
				LANDMARK WIRING SCHEMATIC	DRAWN BY: <i>RLX/SSY</i>	CHK:	PART NO.: SCH-DSLS