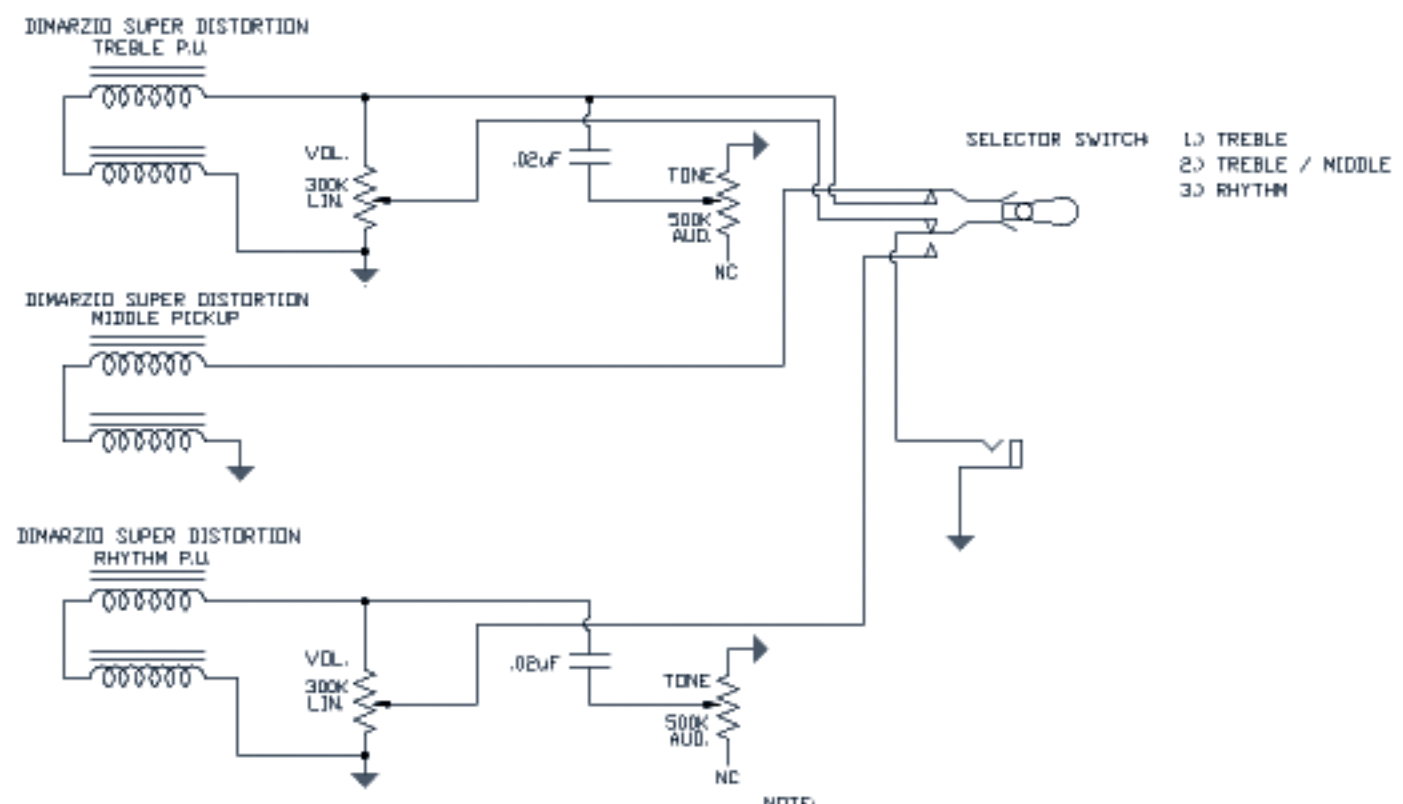


NOTE:
WHITE & BLACK WIRE FROM EACH PICKUP
MUST BE SOLDERED TOGETHER (SEE DRAWING)
USE YELLOW TUBING ON ALL EXPOSED SHIELD WIRES

GIBSON GUITAR CORP. 641 MASSMAN DRIVE NASHVILLE, TN 37210 (615) 391-1580		PART: WIRING DIAGRAM - ACE FREHLEY	
SCALE: N/S	DATE: 9/10/97	MATERIAL:	
DRAWN: R. Akers	CHK:	PART NO.: DIA-LPAF	

NOTE: THIS DRAWING AND ALL OF THE INFORMATION HEREON ARE THE CONFIDENTIAL PROPERTY OF GIBSON, INC. AND MAY NOT BE REPRODUCED OR USED FOR ANY PURPOSE EXCEPT AS EXPRESSLY AUTHORIZED IN WRITING BY GIBSON, INC.



Note: Tailpiece to be connected to cannon ground

NOTE:
THIS DRAWING AND ALL OF THE INFORMATION HEREON
ARE THE CONFIDENTIAL PROPERTY OF GIBSON, INC. AND
MAY NOT BE REPRODUCED OR USED FOR ANY PURPOSE
EXCEPT AS EXPRESSLY AUTHORIZED IN WRITING BY GIBSON, INC.

LTR	REVISION	PCA NO.	DATE	GIBSON GUITAR CORP. 641 MASSMAN DRIVE NASHVILLE, TN 37210 (615) 391-1580	PART: ACE FREHLEY/ 3 PU CUSTOM WIRING SCHEMATIC
					SCALE: DATE: 9/10/97 MATERIAL:
					DRAWN: R.T.A. CHK: PART NO.: SCH-LPAF